

Multi-Wattage • Multi-Voltage Lensed Wall Wash in Seamless Deep Drawn Cylinder



Features

Lamp

- Designed for: 1 offset Triple Tube 42 watt.
- **Lamp socket suitable for 42, 32 or 26 (electronic) wattages.**
- 4-pin GX24q-4 base.
- 90% lumen output maintained at ballast minimum operating temperature.
- Flicker-free starting, high light output, excellent color rendering (82 CRI).
- Long 10,000 hour life.
- High efficiency with low operating costs.

Ballast

- **Suitable for all wattages from 26 through 42 electronic (non-dimming).**
- **Suitable for all voltages from 120 through 277 volt (non-dimming).**
- Regulating electronic high power factor, thermally protected, encased.
- Minimum starting temperature 0°F (-18°C). See Option -CW for cold weather.
- With built-in end of lamp life protection.
- Built-in RIF filter. THD is less than 10%.
- Dimming optional. See Option -39 for availability and restrictions.

NOTE: Options -43 (18 watt), -39 and -73 require specific voltage and are standard with 120V ballast. For other voltages specify Options -58, -97 or -98.

Fuse

- Available as Option -FS.

Trim Assembly

- Specular Alzak® aluminum upper reflector.
- Softex self-flanged low iridescence Alzak semi-specular aluminum lower reflector.
- Optional lower reflector colors and finishes available. See Options.
- 1/8" acrylic linear lens. Spreads light uniformly.

Housing

- Seamless white acrylic enameled aluminum. Deep-drawn.
- No visible cylinder hardware.
- Cool: Dissipates heat across entire surface area.
- Rustproof. Exceeds 1000 hour ASTM 5% salt spray test.

Installation

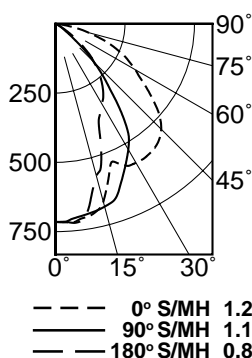
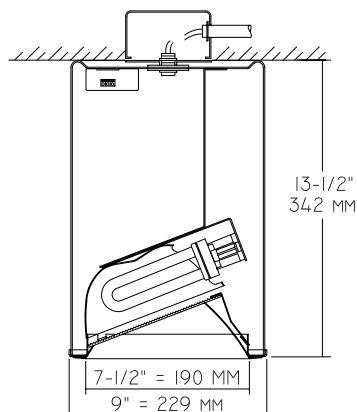
- Center point mounting with snug fit to ceiling. Mounting hardware furnished.
- Indoor or outdoor for covered ceiling use. (See Option -89)

Uniform Wall Washing Dimming Available

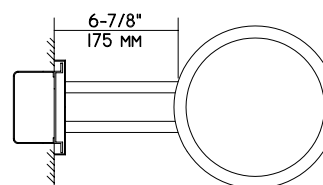
Pendant Mount, Swivel Canopy, or Wall Bracket Mount Available

- Collar for mounting beneath surface outlet box available. (Option -80)
- Pendant mount available. (Option -PM)
- Wall bracket available. (Option -WB)
- **UL, C-UL (Canada) Listings**
- Wet, damp or dry locations, covered ceilings.
- **Three Year Limited Warranty**
- Complete standard fixture.

Performance at a Glance



DISTANCE FROM CEILING IN FEET	SINGLE FIXTURE					MULTIPLE FIXTURES					
	1'	2'	3'	4'	3' CENTERS			4' CENTERS			
	FIXTURE INSTALLED 3' FROM WALL Footcandle Distribution on Wall Surface										
1	9.9	6.0	3.4	2.0	1.4	11.4	11.7	11.8	11.0	8.0	10.6
2	19.9	15.8	6.9	2.8	1.9	25.8	25.3	24.9	22.6	17.5	22.3
3	26.6	22.8	12.9	5.7	2.6	32.7	35.7	33.5	30.1	26.0	28.8
4	25.1	23.1	15.4	8.5	3.8	32.2	37.2	34.0	29.1	29.5	28.7
5	18.4	17.7	13.6	8.9	5.0	26.5	30.7	28.3	23.4	26.7	23.6
6	13.7	13.2	11.4	8.4	5.3	20.9	24.0	22.5	18.8	21.7	19.4
7	10.3	9.9	8.8	7.3	5.1	16.4	18.8	18.1	15.2	17.4	15.8
8	7.9	7.6	6.9	5.9	4.7	13.4	14.7	14.5	12.4	13.8	12.8
9	6.3	6.1	5.6	4.9	4.1	11.1	11.9	11.8	10.4	11.2	10.6



Note: Plan View shown with optional wall bracket (Option -WB).

THE KIRLIN COMPANY

3401 EAST JEFFERSON AVENUE • DETROIT, MICHIGAN 48207-4232
(313) 259-6400 • Fax: (313) 259-9409 OR (313) 259-3121 • www.kirlinlighting.com

**SECOND CENTURY SERIES
TRIPLE TUBE
COMPACT FLUORESCENT LIGHTING**

MAXIMUM WATTAGE

CATALOG NUMBER

1 Triple 42

SR80985

DUE TO OUR CONTINUING EFFORT TO IMPROVE PRODUCTS, TECHNICAL INFORMATION IS SUBJECT TO CHANGE WITHOUT NOTICE.

Alzak® is a registered trademark of ALCOA.

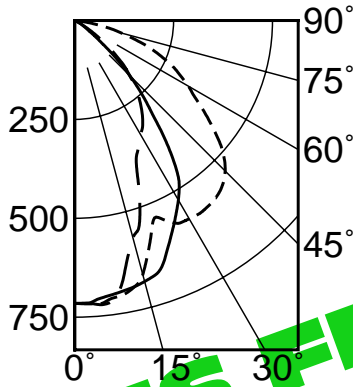
SR80985 SURFACE ROUND: TRIPLE TUBE 42 WATT (MAXIMUM) COMPACT FLUORESCENT

Detailed Photometry - Installed Fixture

FROM I.T.L. (BOULDER, CO) TEST NUMBER 50260

SR80985

*LER = 24.1
*AEC = \$9.96



EFFICIENCY = 38.7%

Estimated Multipliers
-30° White cross baffle: CP x .88

CANDLEPOWER DISTRIBUTION

	0.0	45.0	90.0	135.0	180.0
0	715	715	715	715	715
5	719	714	706	719	721
15	665	661	683	608	569
25	560	452	585	497	372
35	579	375	439	360	299
45	538	423	197	248	196
55	398	325	39	111	71
65	273	167	13	21	2
75	123	52	6	0	0
85	0	0	0	0	0
90	0	0	0	0	0

COEFFICIENTS OF UTILIZATION

RC	PM	70	80	90	100	110	120
2	43	42	40	39	39	38	37
3	40	37	35	33	35	33	32
4	37	33	31	29	32	30	28
5	34	30	27	25	29	26	24
6	32	27	24	22	26	24	22
7	29	25	22	20	24	21	19
8	27	23	20	18	22	19	17
9	26	21	18	16	20	18	16
10	24	19	17	15	19	16	14
10	23	18	15	13	17	15	13

* AEC = Annual Energy Cost per 1000 lumens (based on 3000 hours use @ \$0.08 KWH).

* LER = Luminaire Efficiency Rating

$$LER = \frac{\text{Luminaire Effic.} \times \text{Total Lamp Lumens} \times \text{Ballast Factor}}{\text{Input Watts}}$$

LIMITED WARRANTY: CATALOGUED KIRLIN FIXTURES ARE WARRANTED FREE OF DEFECTS IN WORKMANSHIP OR MATERIAL FOR THREE YEARS FROM DATE OF PURCHASE. INSTALLATION N.E.C., IN NORMAL USE. Manufacturer at his option will replace or repair such fixture or refund the purchase price on presentation of proof of purchase and defective fixture at the offices of manufacturer within three years of original shipment. Liability of manufacturer is limited to the original and manufacturer of the fixture. This warranty is supplied to the purchaser and does not extend to the contractor, installer, or other person. This warranty is void if the fixture is modified, repaired, or replaced. Manufacturer will render the warranty void.

THIS FIXTURE IS NO LONGER AVAILABLE FOR CONSULT FACTORY REPLACEMENT

Options

- 30 White lower reflector, self-flanged. (CP x .90)
- 31 White flange on self-flanged lower reflector.
- 35 Silver enameled luminaire finish instead.
- 36 Gold enameled luminaire finish instead.
- 37 Dark Bronze enameled luminaire finish instead.
- 38 Black enameled luminaire finish instead.
- 39 Consult factory for 18, 26, 32, or 42 watt installed electronic dimming ballast. Also see Options -LE and -WD. Indoor use. Not available with Option -CW.
- 43 Lower wattage triple tube: Specify 18 watt (electronic) or 32, 26 or 18 watt (dimming) and **voltage**.
- 54 Safety cable through pendant stem. 12" longer than specified stem length. Anchored to fixture. Use with Option -PM.
- 58 277 volt 60 Hz. ballast instead. For use with Options -39 and -43.
- 70 SofTex Clear softly etched self-flanged lower reflector. Resists smudges. (CP x .93)
- 71 SofTex Dune softly etched self-flanged lower reflector. Resists smudges. (CP x .94)
- 75 Remote emergency "Ni-Cad" battery pack. **Specify voltage.** Provided with 2' lengths of flexible conduit at each end. Consult factory for maximum mounting distance. Includes test/monitor plate. Indoor use.
- 80 2" white extension collar for mounting luminaire beneath surface outlet box. Finish will match housing color selected.
- 87 Custom -PM length. Specify up to 4 feet or consult factory. Use with Options -PM and -54.
- 88 Swivel canopy for sloped ceilings up to 45°. Earthquake rated. Use with Option -PM.
- 89 Sealed top feature prevents moisture and insect intrusion from above in outdoor or high humidity areas. Use with Option -PM or -WB.
- 90 SofTex Champagne Gold softly etched self-flanged lower reflector. (CP x .97)
- 91 SofTex Wheat softly etched self-flanged lower reflector. Resists smudges. (CP x .94)
- 94 Specular Pewter or Umber or other specified custom color self-flanged lower reflector or custom color luminaire. Specify parts. Consult factory.
- 97 Other voltage ballast. Consult factory.
- 98 347 volt 60 Hz. ballast instead. Consult factory.
- 99 Special modification. Consult factory.
- CW Cold weather -22°F (-30°C) ballast instead. Not available with Option -39.
- FS Fused. Replaceable. Aids servicing.
- LE With 4-pin electronic Triple Tube amalgam lamp. 82 CRI and 10,000 hour life. 3500°K or consult factory. Specify wattage and color temperature.
- PM Pendant mount instead. 3/8" T.S. x 8" standard. Also see Options -54, -87 and -88.
- WB Wall bracket mount instead. Also see Option -89.
- WD Wall Dimmer for use with Option -39. Consult factory for type and quantity required.

SUBMITTAL DATA

JOB NAME _____

TYPE _____

WATTAGE _____ VOLTAGE _____

CATALOG NUMBER _____

APPROVAL STAMP