

### Regressed Lens Cylinder: 1 Vertical 42 Watt Triple Tube

#### Features

##### Lamp

- Designed for:  
1 vertical Triple Tube 42 watt.
- 4 pin GX24q-4 base.
- 90% lumen output maintained at ballast minimum operating temperature.
- Flicker-free starting, high light output, excellent color rendering (82 CRI).
- Long 10,000 hour life.
- High efficiency with low operating costs.
- See Option -43 for lower wattage.

##### Ballast

- Regulating electronic high power factor, thermally protected, encased.
- Cold weather: -18°C to -20°C (0°F to -5°F).
- Built-in RIF filter. THD is less than 10%.
- 120 volt standard or see optional voltages.
- See Option -39 for dimming availability and restrictions.

##### Fuse

- Available as Option -FS (single).

##### Reflector

- Specular Alzak® aluminum.

##### Trim Assembly

- Seamless tapered black OptiGroove with white flange. Self-flanged trim.
- Regressed prismatic, tempered low

brightness C#73 spread distribution lens.

- Optional white grooveless flare trim or flat trim. (See Options -40 and -FT)
- Acrylic, fresnel or Holophane lens; anopar or polycarbonate available. (See Options)

##### Housing

- Seamless deep drawn white acrylic enameled aluminum.
- No visible cylinder hardware.
- Cool: Dissipates heat across entire surface area.
- Rustproof: Exceeds 1000 hour ASTM 5% salt spray test.

##### Installation

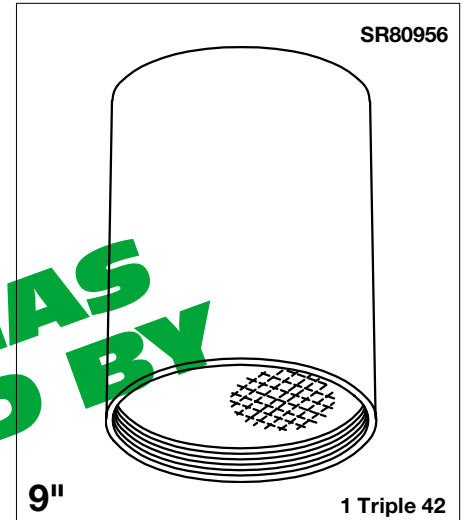
- Center point mounting with snug fit to ceiling. Mounting hardware furnished.
- Indoor or outdoor for covered ceiling use. (See Option -89)
- Collar for mounting beneath surface outlet box available. (Option -80)
- Pendant mount available. (Option -PM)
- Wall bracket available. (Option -WB)

##### UL, C-UL (Canada) Listings

- Wet, damp or dry locations, covered ceilings. (See Option -89)

##### Three Year Limited Warranty

- Complete standard fixture.



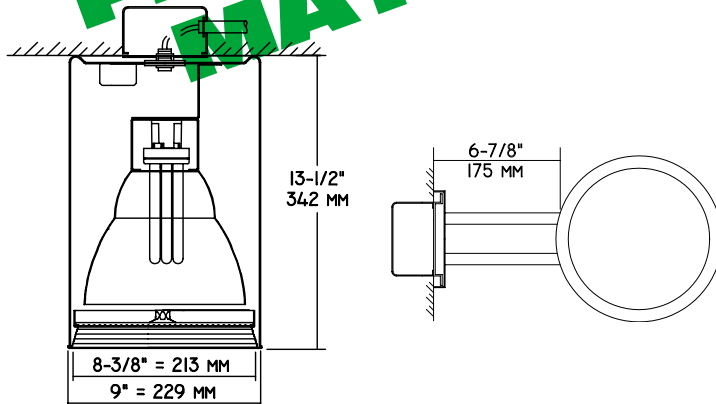
Uniform Distribution  
Wall Bracket or Pendant Available

##### Optional Mounts

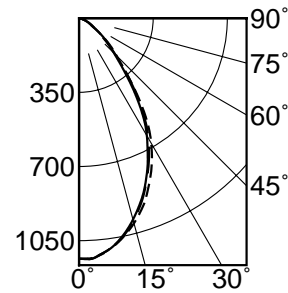
- PM Pendant (8" standard)  
Also see Options -87 and -88.
- WB Wall Bracket  
Also see Option -89.

#### Performance at a Glance

SR80956



Note: Plan View shown with optional wall bracket (Option -WB).



RR80956

- 0° S/MH 1.0
- 45° S/MH 0.9
- 90° S/MH 0.9

##### Cone of Light\*

Ft.	FC	Dia.
6	31.5	5.7
8	17.74	7.6
10	11.4	9.5
12	7.9	11.4
14	5.8	13.3
16	4.4	15.2

SR80956

##### Cone of Light Key

- Ft. Distance from fixture
- FC Footcandles (average)
- Dia. Circle of light at 50% of FC

\* Dia. (in ft.) shown is where FC value is half the FC at nadir.

## THE KIRLIN COMPANY

3401 EAST JEFFERSON AVENUE • DETROIT, MICHIGAN 48207-4232  
(313) 259-6400 • Fax: (313) 259-9409 OR (313) 259-3121 • www.light-link.com/kirlin

SECOND CENTURY SERIES  
TRIPLE TUBE  
COMPACT FLUORESCENT LIGHTING

MAXIMUM WATTAGE

CATALOG NUMBER

1 Triple 42

SR80956

DUE TO OUR CONTINUING EFFORT TO IMPROVE PRODUCTS,  
TECHNICAL INFORMATION IS SUBJECT TO CHANGE WITHOUT NOTICE.

Alzak® is a registered trademark of ALCOA.

## SR80956 SURFACE ROUND: TRIPLE TUBE AMALGAM 42 WATT COMPACT FLUORESCENT

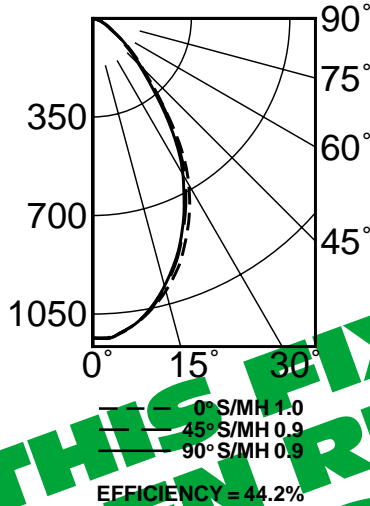
### Detailed Photometry - Installed Fixture

FROM I.T.L. (BOULDER, CO) TEST NUMBER 47479

SR80956

\*LER = 26.5

•AEC = \$9.05



### CANDLEPOWER DISTRIBUTION

	0.0	22.50	45.0	67.5	90.0
0	1135	1135	1135	1135	1135
5	1121	1123	1123	1110	1121
15	1002	998	990	985	984
25	804	794	775	765	766
35	530	529	511	495	495
45	250	251	242	233	234
55	108	116	105	116	111
65	49	47	52	46	46
75	14	14	15	16	16
85	0	0	0	0	0
90	0	0	0	0	0

### PERCENTAGES OF UTILIZATION

RC	20					
	10	50	30	10	45	30
1	50	48	47	46	45	44
2	47	44	42	40	42	39
3	44	40	38	35	38	35
4	41	37	34	32	35	31
5	38	34	31	29	33	28
6	36	31	28	26	30	26
7	34	29	26	24	28	24
8	32	27	24	22	26	22
9	30	25	22	20	25	20
10	29	24	21	19	23	19

\* LER = Luminaire Efficiency Rating

LER =  $\frac{\text{Luminaire Effic.} \times \text{Total Lamp Lumens} \times \text{Ballast Factor}}{\text{Input Watts}}$

• AEC = Annual Energy Cost per 1000 lumens (based on 3000 hours use @ \$0.08 KWH).

### Options

- 13 Clear 1/8" flat polycarbonate below, with tempered prismatic flat C#73 lens above.
- 14 Dropped Anopal glass, 1-1/4" deep. Not enameled.
- 17 Prismatic 3/16" high strength acrylic instead.
- 18 Anopal flat glass. Not enameled. Diffusing.
- 20 White 1/2" cube eggcrate aluminum louver.
- 21 White translucent flat polycarbonate instead.
- 35 Silver enameled luminaire finish.
- 36 Gold enameled luminaire finish.
- 37 Dark Bronze enameled luminaire finish.
- 38 Black enameled luminaire finish.
- 39 Installed electronic dimming ballast. May be used with Option -43. Consult factory for 18 watt. Also see -LE and -WD. Indoor use.
- 40 White grooveless flare trim instead. With regressed tempered prismatic C#73 spread lens or specify optional lens.
- 43 Lower wattage triple tube: Specify 32, 26 or 18 watt.
- 45 Gasket between trim and housing.
- 46 Gasket between trim and lens.
- 58 277 volt 60 Hz. ballast instead.
- 75 Remote emergency "Ni-Cad" battery pack. With 4' flex for maximum mounting distance. For indoor use.
- 76 Drop white acrylic diffuser instead.
- 80 2" extension collar for mounting luminaire beneath surface outlet box. Finish matches housing color.
- 87 Custom -PM length. Specify up to 4 feet or consult factory. Use with Option -PM.
- 88 Swivel canopy for sloped ceilings up to 45°. Earthquake rated. Use with Option -PM.
- 89 Sealed top feature prevents moisture and insect intrusion from above in outdoor or high humidity areas. Use with Option -PM or -WB.
- 94 Custom color. Specify part(s). Consult factory.
- 97 Other voltage ballast. Consult factory.
- 98 347 volt 60 Hz. ballast instead. Consult factory for dimming.
- 99 Special modification. Consult factory.
- FR Fresnel tempered lens instead. Concentric.
- FS Fused. Replaceable. Aids servicing.
- FT Flat white trim instead. With tempered prismatic flat C#73 spread lens or specify optional lens.
- HO Holophane concave prismatic tempered lens.
- LE With 4-pin electronic Triple Tube amalgam lamp. 82 CRI and 10,000 hour life. 3500°K or consult factory for 2700°K, 3000°K or 4100°K. Specify wattage and color temperature.
- PM Pendant mount instead. 3/8" T.S. x 8" standard. Also see Options -87 and -88.
- WB Wall bracket mount instead. Also see Option -89.
- WD Wall Dimmer for use with Option -39. Consult factory for use with 18 watt.

### SUBMITTAL DATA

### APPROVAL STAMP

JOB NAME \_\_\_\_\_

TYPE \_\_\_\_\_

WATTAGE \_\_\_\_\_ VOLTAGE \_\_\_\_\_

CATALOG NUMBER \_\_\_\_\_

THIS FIXTURE HAS BEEN REPLACED BY FSR-09059 SOME DESIGN FEATURES OR OPTIONS MAY HAVE CHANGED

LIMITED WARRANTY: CATALOGED KIRLIN FIXTURES ARE WARRANTED FREE OF DEFECTS IN WORKMANSHIP OR MATERIAL FOR THREE YEARS FROM DATE OF PURCHASE. INSTALLATION MUST BE BY A QUALIFIED ELECTRICIAN. THE PURCHASER'S REPRESENTATION OF THE FIXTURE'S SUITABILITY FOR THE APPLICATION IS THE PURCHASER'S RESPONSIBILITY. THE MANUFACTURER'S WARRANTY DOES NOT COVER DAMAGE TO THE FIXTURE CAUSED BY IMPROPER INSTALLATION, REPAIR, OR MODIFICATION OF THE FIXTURE WITHOUT PRIOR WRITTEN AUTHORIZATION FROM THE MANUFACTURER. WILL RENDER THE WARRANTY VOID.