

Regressed Lens Triple Tube Cylinder

Features

Lamp

- Designed for:
 - 1 horizontal Triple Tube 42 watt.
 - 4 pin GX24q-4 base.
- 90% lumen output maintained at ballast minimum operating temperature.
- Flicker-free starting, high light output, excellent color rendering (82 CRI).
- Long 10,000 hour life.
- High efficiency with low operating costs.
- See Option -43 for lower wattage.

Ballast

- Regulating electronic high power factor, thermally protected, encased.
- Cold weather: -18°C to -20°C (0°F to -5°F).
- Built-in RIF filter. THD is less than 10%.
- 120 volt standard or see optional voltages.
- See Option -39 for dimming availability and restrictions.

Fuse

- Available as Option -FS (single).

Reflector

- Specular Alzak® aluminum.

Trim Assembly

- Seamless tapered black OptiGroove with white flange. Self-flanged trim.
- Regressed prismatic, tempered low

brightness C#73 spread distribution lens.

- Optional white grooveless flare trim or flat trim. (See Options -40 and -FT)
- Acrylic, fresnel or Holophane lens; anopal or polycarbonate available. (See Options)

Housing

- Seamless white acrylic enameled aluminum
- No visible cylinder hardware.
- Cool: Dissipates heat across entire surface area.
- Rustproof: Exceeds 1000 hour ASTM 5% salt spray test.

Installation

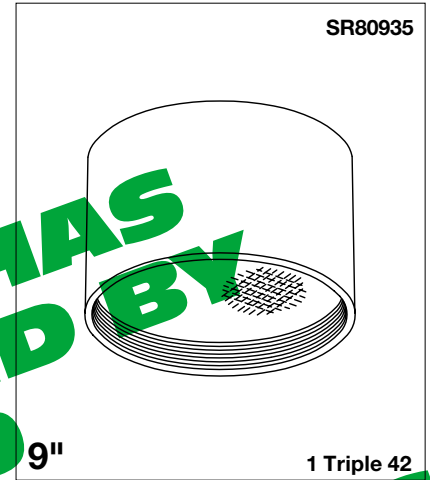
- Center point mounting with snug fit to ceiling. Mounting hardware furnished.
- Indoor or outdoor for covered ceiling use. (See Option -89)
- Collar for mounting beneath surface outlet box available. (Option -80)
- Pendant mount available. (Option -PM)
- Wall bracket available. (Option -WB)

UL, C-UL (Canada) Listings

- Wet/damp or dry locations, covered ceilings. (See Option -89)

Three Year Limited Warranty

- Complete standard fixture



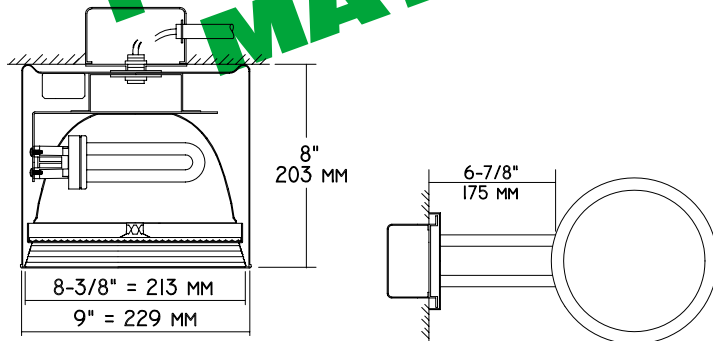
49% Efficiency

Optional Mounts

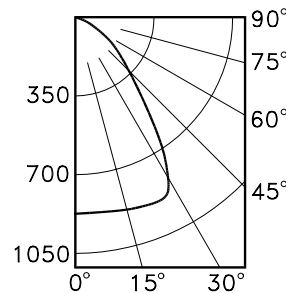
- PM Pendant (8" standard) Also see Options -87 and -88.
- WB Wall Bracket Also see Option -89.

Performance at a Glance

SR80935



Note: Plan View shown with optional wall bracket (Option -WB).

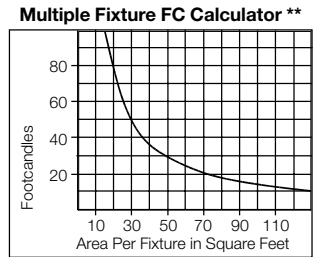


SR80935 S/MH 1.3

Cone of Light*

Ft.	FC	Dia.
6	24.2	7.1
8	13.6	9.5
10	8.7	11.9
12	6.0	14.2
14	4.4	16.6
16	3.4	19.0

SR80935



SR80935

Cone of Light Key

- Ft. Distance from fixture
- FC Footcandles (average)
- Dia. Circle of light at 50% of FC

* Dia. (in ft.) shown is where FC value is half the FC at nadir.
 ** Based on RCR2; ceiling 70%; wall 50%; floor 20%. Use S/MH shown for each fixture. Distribution curve and S/MH data shown are 90° to lamp axis.

THE KIRLIN COMPANY

3401 EAST JEFFERSON AVENUE • DETROIT, MICHIGAN 48207-4232
 (313) 259-6400 • Fax: (313) 259-9409 OR (313) 259-3121 • www.light-link.com/kirlin

SECOND CENTURY SERIES
 TRIPLE TUBE
 COMPACT FLUORESCENT LIGHTING

MAXIMUM WATTAGE

CATALOG NUMBER

1 Triple 42

SR80935

DUE TO OUR CONTINUING EFFORT TO IMPROVE PRODUCTS, TECHNICAL INFORMATION IS SUBJECT TO CHANGE WITHOUT NOTICE.

Alzak® is a registered trademark of ALCOA.

SR80935 SURFACE ROUND: TRIPLE TUBE AMALGAM 42 WATT COMPACT FLUORESCENT

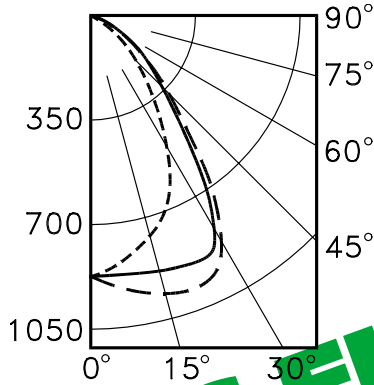
Detailed Photometry - Installed Fixture

FROM I.T.L. (BOULDER, CO) TEST NUMBER 45268

SR80935

*LER = 33.3

•AEC = \$7.21



EFFICIENCY = 49.3%

CANDLEPOWER DISTRIBUTION

	0.0	45.0	90.0	135.0	180.0
0	871	871	871	871	871
5	845	852	870	892	902
15	761	812	884	928	960
25	625	748	892	924	943
35	405	540	673	724	725
45	218	280	347	370	371
55	109	137	154	168	165
65	55	63	66	66	68
75	20	21	21	21	20
85	0	0	0	0	0
90	0	0	0	0	0

PERCENTS OF UTILIZATION

RC	5	10	15	20	30	40	50
1	55	53	52	50	50	49	48
2	51	48	46	44	46	44	42
3	48	44	41	38	42	39	37
4	45	40	36	34	38	35	33
5	42	36	33	30	35	32	30
6	39	33	30	27	32	29	27
7	36	31	27	24	30	27	24
8	34	28	25	22	27	24	22
9	32	26	23	20	26	22	20
10	30	25	21	19	24	21	19

* LER = Luminaire Efficiency Rating

LER = $\frac{\text{Luminaire Effic.} \times \text{Total Lamp Lumens} \times \text{Ballast Factor}}{\text{Input Watts}}$

• AEC = Annual Energy Cost per 1000 lumens (based on 3000 hours use @ \$0.08 KWH).

Options

- 13 Clear 1/8" flat polycarbonate below, with tempered prismatic flat C#73 lens above.
- 14 Dropped Anopal glass, 1-1/4" deep. Not enameled.
- 17 Prismatic 3/16" high strength acrylic instead.
- 18 Anopal flat glass. Not enameled. Diffusing.
- 20 White 1/2" cube eggcrate aluminum louver.
- 21 White translucent flat polycarbonate instead.
- 35 Silver enameled luminaire finish.
- 36 Gold enameled luminaire finish.
- 37 Dark Bronze enameled luminaire finish.
- 38 Black enameled luminaire finish.
- 39 Installed electronic dimming ballast. Consult factory for 18 or 26 watt or for quantity and type required. Also see Options -LE and -WD. Indoor use.
- 40 White grooveless flare trim instead. With regressed tempered prismatic C#73 spread lens or specify optional lens.
- 43 Lower wattage triple tube: Specify 32, 26 or 18 watt.
- 45 Gasket between trim and housing.
- 46 Gasket between trim and lens.
- 58 277 volt 60 Hz. ballast instead.
- 75 Remote emergency "Ni-Cad" battery pack. With 4' flex for maximum mounting distance. For indoor use.
- 76 Drop white acrylic diffuser instead.
- 80 2" extension collar for mounting luminaire beneath surface outlet box. Finish matches housing color.
- 87 Custom -PM length. Specify up to 5 feet or consult factory. Use with Option -PM.
- 88 Swivel canopy for sloped ceilings up to 45°. Earthquake rated. Use with Option -PM.
- 89 WeatherCap - required when luminaire is installed without covered ceiling protection. Also see Option -WB.
- 94 Custom color. Specify part(s). Consult factory.
- 97 Other voltage ballast. Consult factory.
- 98 347 volt 60 Hz. ballast instead. Consult factory for dimming.
- 99 Special modification. Consult factory.
- FR Fresnel tempered lens instead. Concentric.
- FS Fused. Replaceable. Aids servicing.
- FT Flat white trim instead. With tempered prismatic flat C#73 spread lens or specify optional lens.
- HO Holophane concave prismatic tempered lens.
- LE With 4-pin electronic Triple Tube amalgam lamp. 82 CRI and 10,000 hour life. 3500°K or consult factory for 2700°K, 3000°K or 4100°K. Specify wattage and color temperature.
- PM Pendant mount instead. 3/8" T.S. x 8" standard. Also see Options -87 and -88.
- WB Wall bracket mount instead. Also see Option -89.
- WD Wall Dimmer for use with Option -39. Consult factory for use with 18 or 26 watt.

SUBMITTAL DATA

JOB NAME _____

TYPE _____

WATTAGE _____ VOLTAGE _____

CATALOG NUMBER _____

APPROVAL STAMP

LIMITED WARRANTY: CATALOGUED KIRLIN FIXTURES ARE WARRANTED FREE OF DEFECTS IN WORKMANSHIP OR MATERIAL FOR THREE YEARS FROM DATE OF PURCHASE. INSTALLATION MUST BE BY A QUALIFIED ELECTRICIAN. THE PURCHASER'S REPRESENTATION OF THE QUALITY OF THE WORKMANSHIP OR MATERIAL IS LIMITED TO THE ORIGINAL STATEMENT. LABELING OF MANUFACTURER IS LIMITED TO THE ORIGINAL STATEMENT. THIS WARRANTY IS SUPPLIED FROM THE MANUFACTURER AND DOES NOT APPLY TO THE PURCHASER'S REPRESENTATION OF THE QUALITY OF THE WORKMANSHIP OR MATERIAL. THE WARRANTY IS VOID IF THE MANUFACTURER IS NOT THE ORIGINAL MANUFACTURER.