

14-1/2"

REGRESSED LENS: AUDITORIUM / MALL



Features

Lamp

- 400 watt clear E/ED/BT-37 vertical.
- See Option -43 for optional lower wattage.
- Option -23 for Mercury, Option -24 for HPS.

Socket

- Vertical. Mogul base.
- Glazed porcelain.
- Nickel-plated brass screw shell. Silicone leads.

Reflector

- Specular Alzak® aluminum.

Trim Assembly

- Seamless tapered black OptiGroove with white interlocking flange.
- UV absorbing tempered low brightness prismatic glass.

Ballast Assembly

- WhisperPack™ fully encapsulated 180°C rated HPF ballast.
- Premium Class H; CWA 10:10 regulation.
- Capacitor supplied.
- 120 volt standard or see optional voltages.
- Cool, quiet, long-life. Silicone leads.

Fuse

- Fused primary. Renewable. Aids servicing.

Housing

- Seamless, deep-drawn acrylic enameled aluminum.
- Cool: Dissipates heat across entire surface area.
- Rustproof: Exceeds 1000 hour ASTM 5% salt spray test.
- No visible cylinder hardware. White finish is standard.

Installation

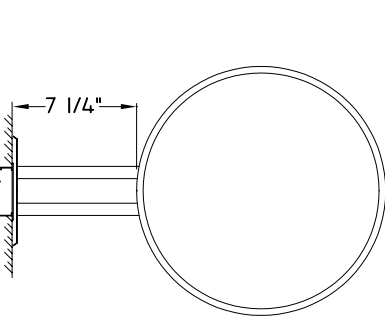
- Center point mounting with snug fit to ceiling.
- Indoor or outdoor for covered ceiling use.
- Mounting beneath surface outlet box available (Option -80).

UL Listing

- Wet, damp or dry locations, covered ceilings (See Option -89).

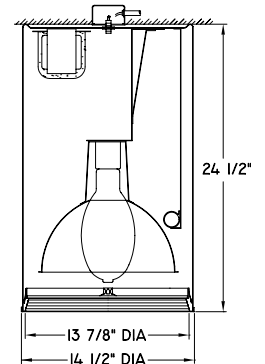
Three Year Limited Warranty

- Complete standard fixture.



PLAN VIEW SHOWN WITH OPTIONAL WALL-BRACKET (OPTION -WB)

APPROVAL STAMP



THE KIRLIN COMPANY

3401 EAST JEFFERSON AVENUE ■ DETROIT, MICHIGAN 48207-4232
(313) 259-6400 ■ FAX: (313) 259-9409 OR (313) 259-3121

HIGH EFFICIENCY METAL HALIDE LIGHTING

LAMP WATTAGE
E/ED/BT-37 400

SR51436

DATA

SUBMITTAL

VOLTAGE

WATTAGE

TYPE

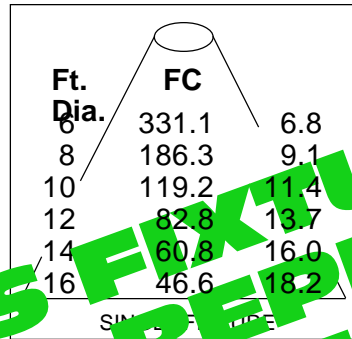
MODEL

JOB NAME

LOCATION

Performance at a Glance - Installed Fixture

Cone of Light

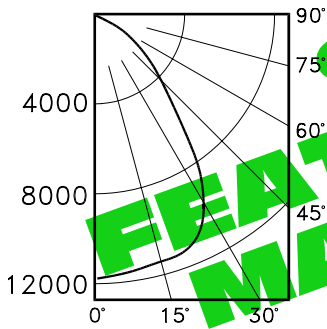


Cone of Light Key
Distance to Surface from fixture
FC: Foot Candles
Beam diameter at 50% of FC
Diameter of beam when 50% of FC at nadir.

THIS FIXTURE HAS BEEN REPLACED BY HSR-14135-PR SOME DESIGN FEATURES OR OPTIONS MAY HAVE CHANGED

Photometrics

CP DISTRIBUTION



S/MH 1.2
EFFICIENCY = 59.1%

WATTAGE	POWER DISTRIBUTION				
	0.0	22.5	45.0	67.5	90.0
6	11921	11921	11921	11921	11921
8	11804	11804	11804	11804	11804
10	11395	11395	11395	11395	11395
12	10735	10735	10735	10735	10735
14	8166	8166	8166	8166	8166
16	4354	4354	4354	4354	4354
18	2157	2157	2157	2157	2157
20	1053	1053	1053	1053	1053
25	480	480	480	480	480
30	5	5	5	5	5
35	0	0	0	0	0

ROW	COEFFICIENT OF UTILIZATION							
	80				20			
	70	50	30	10	50	30	10	
1	66	64	62	60	60	59	57	
2	61	58	54	52	54	52	50	
3	57	52	48	45	49	46	44	
4	53	47	43	40	45	42	39	
5	49	43	39	35	41	38	35	
6	46	39	35	32	38	34	31	
7	43	36	32	29	35	31	28	
8	40	33	29	26	32	29	26	
9	38	31	27	24	30	26	24	
10	36	29	25	22	28	24	22	

Options

- 23 Mercury ballast instead. 400 watt standard or see Option -43. Specify voltage.
- 24 HPS ballast instead. 400 watt standard or see Option -43. Specify voltage.
- 35 Silver enameled housing finish instead.
- 36 Gold enameled housing finish instead.
- 37 Bronze enameled housing finish instead.
- 38 Black enameled housing finish instead.
- 40 White grooveless flare trim assembly instead.
- 43 Lower wattage mogul base specify voltage and wattage for: Metal Halide: 250, 175; Mercury: 250, 175; HPS: 250, 150.
- 45 Gasket above trim flange (between trim and housing).
- 46 Gasket between trim and lens.

- 49 Extra circuit DCB socket. (250 watt max.) Must not be energized simultaneously with main source.
- 58 277 volt 60 Hz. ballast instead.
- 65 Relay and DCB socket. (250 watt max.) With fixture energized, provides immediate light during HID outage. Also see Option -66.
- 66 Time delay relay and DCB socket. (250 watt max.) When energized, provides light until HID reaches 70% output.
- 80 Extension collar with two-1/2" knockouts for mounting luminaire beneath surface outlet box.
- 87 Custom -PM length. Specify up to 5 feet or consult factory. Use with Option -PM.
- 88 Swivel canopy for sloped ceilings up to 45°. Earthquake rated. Use with Option -PM.

- 89 Weather Cap - required when luminaire is installed without covered ceiling protection.
- 94 Custom color trim assembly or housing. Consult factory.
- 97 Other voltage ballasts. Consult factory.
- 99 Special modification. Consult factory.
- FT Flat white trim instead. Standard with UV absorbing tempered prismatic glass.
- LP With lamp. Specify source, wattage, color temperature, and clear or coated (3700°K standard for MH). Consult factory for other color temperatures.
- LS With tungsten halogen standby lamp. (250 watt max.) Use only with Options -49, -65 or -66.
- PM Pendant mount instead. 3/8" T.S. x 18" standard or see Option -87.
- WB Wall bracket mount instead. 7" arm.

THE KIRLIN COMPANY

3401 EAST JEFFERSON AVENUE ■ DETROIT, MICHIGAN 48207-4232
(313) 259-6400 ■ FAX: (313) 259-9409 OR (313) 259-3121

LIMITED WARRANTY: CATALOGUED KIRLIN FIXTURES ARE WARRANTIED FREE OF DEFECTS IN WORKMANSHIP OR MATERIAL FOR THREE YEARS FROM DATE OF PURCHASE. INSTALLLED TO N.E.C. IN NORMAL USE. Manufacturer at this option will replace or repair such fixture or refund the purchase price on presentation of proof of purchase and defective fixture at the offices of manufacturer within three years of original shipment. Liability of manufacturer is limited to the foregoing, and manufacturer shall not be liable for any other damages, direct or indirect, sustained or suffered by purchaser or any person. This warranty is supplied to the buyer in place of all other warranties, expressed or implied. Seller's obligation of warranty as to merchantability or fitness for a particular use, nor will any oral statement constitute a warranty or amend this specific warranty. Abnormal use, abuse of the fixture, improper installation, or repair, voids the warranty.