

12"

### REGRESSED LENS: MALL / SCHOOL / ATRIUM

#### Features

##### Lamp

- 100 watt coated E/ED-17 vertical.
- See Option -43 for optional lower wattage.
- Option -23 for Mercury, Option -24 for HPS.

##### Socket

- Vertical. Pulse rated medium base.
- Glazed porcelain.
- Nickel-plated brass screw shell. Silicone leads.

##### Reflector

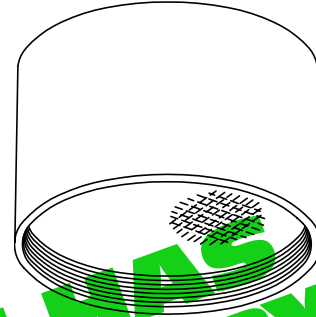
- Specular Alzak® aluminum.

##### Trim Assembly

- Seamless tapered black OptiGroove with white flange.
- Self-flanged trim interlocks with housing.
- UV absorbing tempered low brightness prismatic glass.

##### Ballast Assembly

- Whisper Pack™ fully encapsulated 180°C rated HPF ballast.
- Premium Class H high reactance; 5:12 regulation.
- Capacitor and ignitor supplied.
- 120 volt standard or see optional voltages.
- Cool, quiet, long-life. Silicone leads.



##### Fuse

- Fused primary. Renewable. Aids servicing.

##### Housing

- Seamless, deep-drawn acrylic enameled aluminum.
- Cool. Dissipates heat across entire surface area.
- Rustproof. Exceeds 1000 hour ASTM 5% salt spray test.
- No visible cylinder hardware. White finish is standard.

##### Installation

- Center point mounting with snug fit to ceiling.
- Indoor or outdoor for covered ceiling use.
- Mounting beneath surface outlet box available (Option -80).

##### UL Listing

- Wet, damp or dry locations, covered ceilings (See Option -89).

##### Three Year Limited Warranty

- Complete standard fixture.

DATA

SUBMITTAL

VOLTAGE

WATTAGE

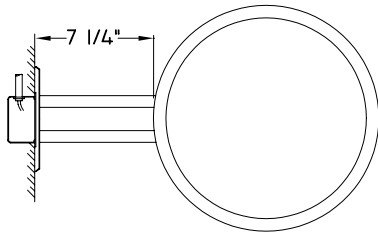
TYPE

MODEL

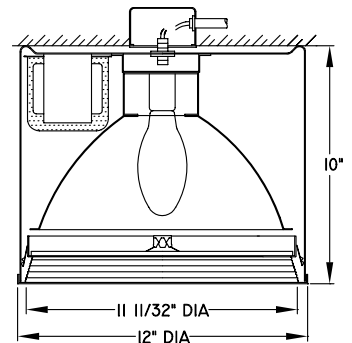
JOB NAME

LOCATION

### APPROVAL STAMP



PLAN VIEW SHOWN WITH OPTIONAL WALL-BRACKET (OPTION -WB)



## THE KIRLIN COMPANY

3401 EAST JEFFERSON AVENUE ■ DETROIT, MICHIGAN 48207-4232  
(313) 259-6400 ■ FAX: (313) 259-9409 OR (313) 259-3121

### HIGH EFFICIENCY METAL HALIDE LIGHTING

LAMP  
E/ED-17

WATTAGE  
100

# SR51233

# SR51233

SURFACE ROUND: 100 WATT MEDIUM BASE METAL HALIDE



## Performance at a Glance - Installed Fixture

SR51233

Ft.	FC	DIA.
6	259.2	3.7
8	145.8	5.0
10	93.3	6.2
12	64.8	7.5
14	47.6	8.7
16	36.5	10.0

SR51233-FR

Ft.	FC	DIA.
6	125.4	6.3
8	70.6	8.5
10	45.2	10.6
12	31.4	12.7
14	23.0	14.8
16	17.6	16.9

SR51233-HO

Ft.	FC	DIA.
6	178.3	5.3
8	100.3	7.1
10	64.2	8.8
12	44.6	10.6
14	32.8	12.4
16	25.1	14.1

### Cone of Light Key

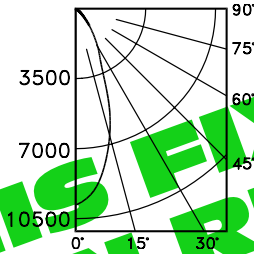
Ft. Distance to surface from fixture (mounting height)  
 FC. Footcandles  
 DIA. Diameter (in feet) of the circle of light when FC value is half the FC at nadir.

SINGLE FIXTURE

## Photometric Data - Installed Fixture

SR51233

S/MH 0.6  
 EFF. = 73.5%



### CANDLEPOWER DISTRIBUTION

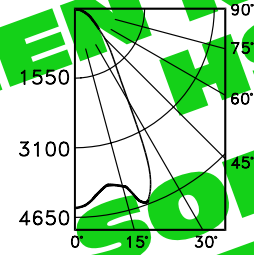
	0.0	22.5	45.0	67.5	90.0
0	9332	9332	9332	9332	9332
15	8921	8921	8921	8921	8921
25	6328	6328	6328	6328	6328
35	3394	3394	3394	3394	3394
45	1580	1580	1580	1580	1580
55	696	696	696	696	696
65	310	310	310	310	310
75	161	161	161	161	161
85	92	92	92	92	92
90	28	28	28	28	28
90	0	0	0	0	0

### COEFFICIENT OF UTILIZATION

RF	RC						
	80		30		50		
RC	70	50	30	10	50	30	10
1	83	81	79	77	76	75	73
2	78	74	71	68	71	68	66
3	74	69	65	62	66	63	60
4	70	64	60	56	62	58	55
5	66	60	55	52	58	54	51
6	63	56	52	48	54	51	48
7	60	53	48	45	51	47	45
8	57	50	45	42	49	45	42
9	54	47	43	40	46	42	40
10	52	45	40	38	44	40	37

SR51233-FR

S/MH 1.0  
 EFF. = 72.2%

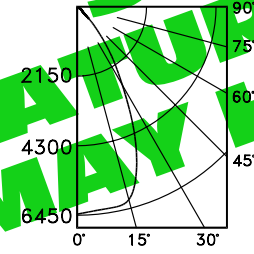


	0.0	22.5	45.0	67.5	90.0
0	4516	4516	4516	4516	4516
5	4425	4425	4425	4425	4425
15	4371	4371	4371	4371	4371
25	4094	4094	4094	4094	4094
35	1888	1888	1888	1888	1888
45	780	780	780	780	780
55	430	430	430	430	430
65	254	254	254	254	254
75	130	130	130	130	130
85	28	28	28	28	28
90	0	0	0	0	0

RF	RC						
	80		30		50		
RC	70	50	30	10	50	30	10
1	81	78	76	74	74	72	71
2	76	71	68	65	68	65	63
3	71	65	61	57	62	59	56
4	67	60	55	51	57	54	51
5	62	55	50	47	53	49	46
6	59	51	46	43	49	45	42
7	55	48	43	39	46	42	39
8	52	44	39	36	43	39	36
9	49	42	37	33	40	36	33
10	47	39	34	31	38	34	31

SR51233-HO

S/MH 0.9  
 EFF. = 74.8%



	0.0	22.5	45.0	67.5	90.0
0	6419	6419	6419	6419	6419
5	6364	6364	6364	6364	6364
15	6182	6182	6182	6182	6182
25	4134	4134	4134	4134	4134
35	1936	1936	1936	1936	1936
45	632	632	632	632	632
55	230	230	230	230	230
65	130	130	130	130	130
75	66	66	66	66	66
85	17	17	17	17	17
90	0	0	0	0	0

RF	RC						
	80		30		50		
RC	70	50	30	10	50	30	10
1	84	82	80	78	77	76	75
2	80	76	73	70	72	70	67
3	75	71	66	63	67	64	61
4	71	65	61	57	63	59	56
5	68	61	56	53	59	55	52
6	64	57	52	49	55	51	48
7	61	53	49	45	52	48	45
8	58	50	45	42	49	45	42
9	55	47	43	39	46	42	39
10	52	45	40	37	44	40	37

## Options

- 23 Mercury ballast instead. 100ME standard or see Option -43. Specify voltage.
- 24 HPS ballast instead. 100ME standard or see Option -43. Specify voltage.
- 29 White Son ballast instead. For ED-17 medium base lamp. 100 watt standard in 120 volt only. Consult factory for 277 volt.
- 35 Silver enameled housing finish instead.
- 36 Gold enameled housing finish instead.
- 37 Bronze enameled housing finish instead.
- 38 Black enameled housing finish instead.
- 40 White grooveless flare trim assembly instead.
- 43 Lower wattage medium base - specify voltage and wattage for: Metal Halide: 70, 50; Mercury: 75, 50; HPS: 70, 50, 35; White Son: 50.
- 45 Gasket above trim flange (between trim and housing).
- 46 Gasket between trim and lens.
- 49 Extra circuit DCB socket. (100W max.) Must not be energized simultaneously with main source.
- 58 277 volt 60 Hz. ballast instead.
- 65 Relay and DCB socket. (100W max.) With fixture energized, provides immediate light during HID outage. Also see Option -66.
- 66 Time delay relay and DCB socket. (100W max.) When energized, provides light until HID reaches 70% output.
- 80 Extension collar with two-1/2" knockouts for mounting luminaire beneath surface outlet box.
- 87 Custom -PM length. Specify up to 5 feet or consult factory. Use with Option -PM.
- 88 Swivel canopy for sloped ceilings up to 45°. Earthquake rated. Use with Option -PM.
- 89 Weather Cap - required when luminaire is installed without covered ceiling protection. Custom color trim assembly or housing. Consult factory.
- 94 Custom color trim assembly or housing. Consult factory.
- 97 Other voltage ballasts. Consult factory.
- 99 Special modification. Consult factory.
- FR Fresnel tempered lens instead. Concentric prisms.
- FT Flat white trim with UV absorbing tempered prismatic glass or add Option -FR or -HO.
- HO Holophane concave prismatic tempered lens instead.
- LP With lamp. Specify source, wattage, color temperature, and clear or coated (3200°K standard for MH). Consult factory for other color temperatures.
- LS With tungsten halogen standby lamp. (100W max.) Use only with Options -49, -65 or -66.
- PM Pendant mount instead. 3/8" T.S. x 18" standard or see Option -87.
- WB Wall bracket mount instead. 6" arm.

# THE KIRLIN COMPANY

3401 EAST JEFFERSON AVENUE ■ DETROIT, MICHIGAN 48207-4232  
 (313) 259-6400 ■ FAX: (313) 259-9409 OR (313) 259-3121

# SR51233

WATTAGE 100 LAMP E/ED-17

# HIGH EFFICIENCY METAL HALIDE LIGHTING

LIMITED WARRANTY: CATALOGUED KIRLIN FIXTURES ARE WARRANTIED FREE OF DEFECTS IN WORKMANSHIP OR MATERIAL FOR THREE YEARS FROM DATE OF PURCHASE. INSTALLLED TO N.E.C. IN NORMAL USE. Manufacturer at this option will replace or repair such fixture or refund the purchase price on presentation of proof of purchase and defective fixture at the offices of manufacturer within three years of original shipment. Liability of manufacturer is limited to the foregoing, and manufacturer shall not be liable for any other damages, direct or indirect, sustained or suffered by a purchaser or any person. This warranty is supplied to the buyer in place of all other warranties, expressed or implied. Seller does not warrant as to merchantability or fitness for a particular use, nor will any oral statement constitute a warranty or amend this specific warranty. Abnormal use, abuse of the fixture, improper installation, or repair, or modification of the fixture without prior written authorization from the manufacturer will render the warranty void.