

Pendant or Surface Mount PAR 56 Downlights

Features

Lamp / Socket Assembly

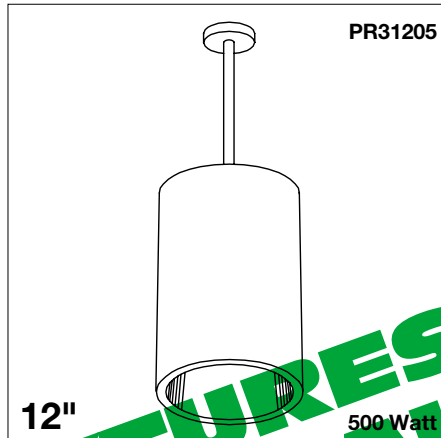
- Designed for: 500 watt (maximum) PAR 56 tungsten halogen lamp (by others).
- Rated 4000 hour life; 100 CRI.
- Dimmable (controls by others).
- Tilts 90° for relamping.
- Safety tempered prismatic C#73 flat glass converts oval beam pattern to round.
- See Option -28 for use with narrow spot lamp.
- Porcelain mogul end-prong vertical socket.

Reflector

- Parabolic specular Alzak® aluminum.
- Ten optional self-flanged colors and finishes available. See Options.

Housing

- Seamless, deep-drawn rigid aluminum. No visible hardware.
- White acrylic enameled finish standard. See Options for other colors.
- Rustproof: Exceeds 1000 hour ASTM 5% salt spray test.
- Cool: Dissipates heat across entire surface area.



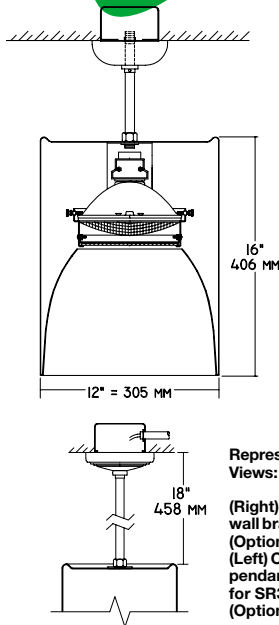
Installation

- Indoor or outdoor for covered ceiling use. (See Option -89 for use with -PM or -WB)
- PR31205:**
 - Pendant mount. 3/8" T.S. x 18".
 - For custom length or swivel canopy for sloped ceilings, see Options -87 and -88.
- SR31406:**
 - Center point mounting with snug fit to ceiling. Mounting hardware furnished.

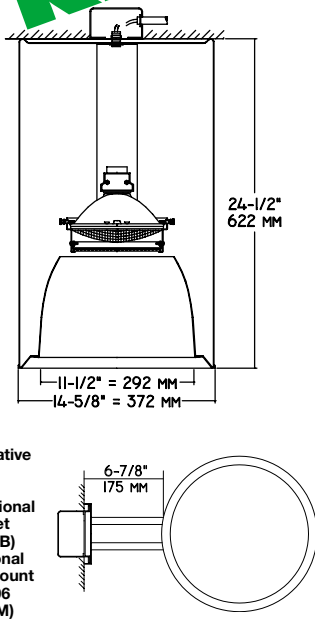
- Collar for mounting beneath surface outlet box available. (See Option -80)
- Pendant mount available. (Option -PM)
- Wall bracket available. (Option -WB)
- UL, C-UL (Canada) Listings**
- Wet, damp or dry locations, covered ceilings. (See Option -89)
- Caution: Use 90°C supply wire to outlet box above.
- Three Year Limited Warranty**
- Complete standard fixture.

Performance at a Glance

PR31205

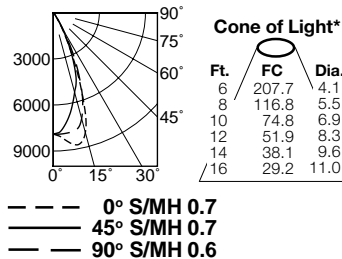


SR31406

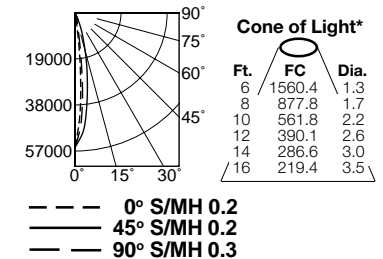


Representative Views:
(Right) Optional wall bracket (Option -WB)
(Left) Optional pendant mount for SR31406 (Option -PM)

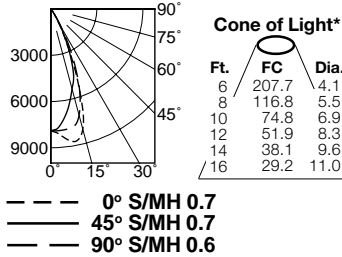
PR31205 (500W Medium Flood)



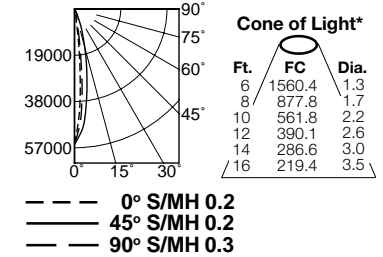
PR31205-28 (500W Narrow Spot)



SR31406 (500W Medium Flood)



SR31406-28 (500W Narrow Spot)



Cone of Light Key

Ft. Distance from fixture
FC Footcandles (average)
Dia. Circle of light at 50% of FC

* Dia. (in ft.) shown is where FC value is half the FC at nadir.

THE KIRLIN COMPANY

3401 EAST JEFFERSON AVENUE • DETROIT, MICHIGAN 48207-4232
(313) 259-6400 • Fax: (313) 259-9409 OR (313) 259-3121

PRECISION LIGHTING
TUNGSTEN HALOGEN

PAR 56
PAR 56

500
500

PR31205
SR31406

**PR31205
SR31406**

PENDANT or SURFACE ROUND: 500 WATT (MAX.) PAR 56 TUNGSTEN HALOGEN



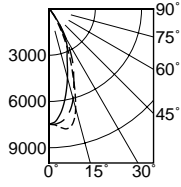
Detailed Photometry - Installed Fixture

FROM I.T.L. (BOULDER, CO)

PR31205 (500W MFL): TEST # 43320
SR31406 (500W MFL): TEST # 43320

PR31205-28 (500W NSP): TEST # 43368
SR31406-28 (500W NSP): TEST # 43368

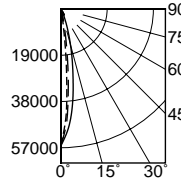
PR31205 500W MFL Efficiency = 65.1%



CANDLEPOWER DISTRIBUTION	0.0 22.5 45.0 67.5 90.0				
	0	5	15	25	35
0° S/MH 0.7	7477	7477	7477	7477	7477
45° S/MH 0.7	7682	7650	7419	7165	7042
90° S/MH 0.6	6665	6574	6023	5091	4616
	2823	3177	3512	3261	2818
	734	830	1083	1131	1031
	169	171	180	186	182
	48	48	48	49	50
	1	2	3	2	2
	0	0	1	1	0
	0	0	0	0	0
	0	0	0	0	0

COEFFICIENTS OF UTILIZATION	20				
	RF	80	50	30	10
RC	74	73	71	70	69
RW	70	50	30	10	50
1	74	73	71	70	69
2	71	68	66	64	65
3	68	64	61	59	61
4	65	60	57	55	58
5	62	57	54	51	55
6	59	54	51	48	53
7	57	51	48	45	50
8	54	49	45	43	48
9	52	46	43	41	46
10	50	44	41	39	44

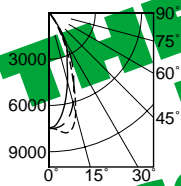
PR31205-28 500W NSP Efficiency = 78.1%



CANDLEPOWER DISTRIBUTION	0.0 22.5 45.0 67.5 90.0				
	0	5	15	25	35
0° S/MH 0.2	56176	56176	56176	56176	56176
45° S/MH 0.2	26902	28602	34419	41704	45439
90° S/MH 0.3	1357	1514	2438	7336	15204
	1181	1385	1596	1788	2631
	74	183	292	400	462
	43	30	28	28	28
	15	17	14	15	13
	3	4	3	3	3
	0	0	0	0	0
	0	0	0	0	0
	0	0	0	0	0

COEFFICIENTS OF UTILIZATION	20				
	RF	80	50	30	10
RC	90	88	87	86	84
RW	70	50	30	10	50
1	90	88	87	86	84
2	87	85	82	81	81
3	85	81	79	77	78
4	82	78	76	73	76
5	80	76	73	71	74
6	78	74	70	68	72
7	76	71	68	66	70
8	74	70	67	65	69
9	73	68	65	63	67
10	71	66	63	62	66

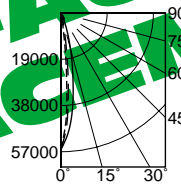
SR31406 500W MFL Efficiency = 65.1%



CANDLEPOWER DISTRIBUTION	0.0 22.5 45.0 67.5 90.0				
	0	5	15	25	35
0° S/MH 0.7	7477	7477	7477	7477	7477
45° S/MH 0.7	7682	7650	7419	7165	7042
90° S/MH 0.6	6665	6574	6023	5091	4616
	2823	3177	3512	3261	2818
	734	830	1083	1131	1031
	169	171	180	186	182
	48	48	48	49	50
	1	2	3	2	2
	0	0	1	1	0
	0	0	0	0	0
	0	0	0	0	0

COEFFICIENTS OF UTILIZATION	20				
	RF	80	50	30	10
RC	74	73	71	70	69
RW	70	50	30	10	50
1	74	73	71	70	69
2	71	68	66	64	65
3	68	64	61	59	61
4	65	60	57	55	58
5	62	57	54	51	55
6	59	54	51	48	53
7	57	51	48	45	50
8	54	49	45	43	48
9	52	46	43	41	46
10	50	44	41	39	44

SR31406-28 500W NSP Efficiency = 78.1%



CANDLEPOWER DISTRIBUTION	0.0 22.5 45.0 67.5 90.0				
	0	5	15	25	35
0° S/MH 0.2	56176	56176	56176	56176	56176
45° S/MH 0.2	26902	28602	34419	41704	45439
90° S/MH 0.3	1357	1514	2438	7336	15204
	1181	1385	1596	1788	2631
	74	183	292	400	462
	43	30	28	28	28
	15	17	14	15	13
	3	4	3	3	3
	0	0	0	0	0
	0	0	0	0	0
	0	0	0	0	0

COEFFICIENTS OF UTILIZATION	20				
	RF	80	50	30	10
RC	90	88	87	86	84
RW	70	50	30	10	50
1	90	88	87	86	84
2	87	85	82	81	81
3	85	81	79	77	78
4	82	78	76	73	76
5	80	76	73	71	74
6	78	74	70	68	72
7	76	71	68	66	70
8	74	70	67	65	69
9	73	68	65	63	67
10	71	66	63	62	66

Estimated Multipliers

- 16 Champagne Gold Alzak®: CP x .98
- 30 White: CP x .98

- 63 Dune Alzak: CP x .97
- 69 Wheat Alzak: CP x .97
- 70 SofTex Clear: CP x .98
- 71 SofTex Dune: CP x .95
- 72 Black Alzak: CP x .80

- 90 SofTex Champagne Gold: CP x .96
- 91 SofTex Wheat: CP x .95
- 92 Umber Alzak: CP x .90
- 93 Pewter Alzak: CP x .95
- OG Black OptiGroove: CP x .82

Options

- 16 Champagne Gold specular Alzak self-flanged reflector. (CP x .98)
- 28 Tempered clear glass for use with narrow spot lamp. See Option -LP,
- 30 All white reflector, self-flanged. (CP x .98)
- 31 White flange (only) on self-flanged reflector (SR31406 only).
- 35 Silver enameled luminaire finish instead.
- 36 Gold enameled luminaire finish instead.
- 37 Dark Bronze enameled luminaire finish instead.
- 38 Black enameled luminaire finish instead.
- 63 Dune specular Alzak self-flanged reflector. (CP x .97)
- 69 Wheat specular Alzak self-flanged reflector. (CP x .97)
- 70 SofTex Clear softly etched self-flanged

- reflector. Resists smudges. (CP x .98)
- 71 SofTex Dune softly etched self-flanged reflector. Resists smudges. (CP x .95)
- 72 Black specular Alzak self-flanged reflector. (CP x .80)
- 80 2" extension collar for mounting luminaire beneath surface outlet box. Finish matches housing color (SR31406 only).
- 87 Custom -PM length. Specify up to 4 feet or consult factory. Use with pendant mounts.
- 88 Swivel canopy for sloped ceilings up to 45°. Earthquake rated. Use with pendant mounts.
- 89 Sealed top WeatherCap feature prevents moisture and insect intrusion from above in outdoor or high humidity areas. Use with pendant mounts or Option -WB.
- 90 SofTex Champagne Gold softly etched self-flanged reflector. Resists smudges. (CP x .96)

- 91 SofTex Wheat softly etched self-flanged reflector. Resists smudges. (CP x .95)
- 92 Umber specular Alzak self-flanged reflector. (CP x .90)
- 93 Pewter specular Alzak self-flanged reflector. (CP x .95)
- 94 Specular or SofTex custom color / finish self-flanged reflector or luminaire. Specify parts. Consult factory.
- 99 Special modification. Consult factory.
- LP With PAR 56 lamp. Specify wattage, beam spread, °K. With narrow spot, also select -28.
- OG OptiGroove black seamless tapered aluminum reflector. White trim, self-flanged. (CP x .82)
- PM Pendant mount instead for SR31406. 3/8" T.S. x 18" or see Option -87. Also see Options -88 and -89.
- WB Wall bracket mount instead. Also see -89.

SUBMITTAL DATA

JOB NAME _____

TYPE _____

WATTAGE _____ VOLTAGE _____

CATALOG NUMBER _____

APPROVAL STAMP

LIMITED WARRANTY: CATALOGUED KIRLIN FIXTURES ARE WARRANTED FREE OF DEFECTS IN WORKMANSHIP OR MATERIAL FOR THREE YEARS FROM DATE OF PURCHASE. INSTALLATION, IN-NORMAL USE, MANUFACTURER AT HIS OPTION WILL REPAIR OR REPLACE SUCH FIXTURE OR REPAIR THE PURCHASE PRICE OR PRESENTATION OF PROOF OF PURCHASE AND DEFECTIVE FIXTURE AT THE OFFICE OF MANUFACTURER WITHIN THE REAR YEARS OF ORIGINAL INCEPTION. LIABILITY OF MANUFACTURER IS LIMITED TO THE FOREGOING, AND MANUFACTURER SHALL NOT BE LIABLE FOR ANY OTHER DAMAGES, DIRECT OR INDIRECT, SUSTAINED OR SUFFERED BY PURCHASER OR ANY PERSON. THIS WARRANTY IS SUPPLIED FOR THE BUYER'S PROTECTION AND OTHER WARRANTIES, EXPRESSED OR IMPLIED, SELLER DOES NOT WARRANT AS TO MERCHANTABILITY OR FITNESS FOR A PARTICULAR USE, NOR WILL ANY OF STATEMENT CONSTITUTE A WARRANTY OF AHEAD THIS SPECIFIC WARRANTY. ABNORMAL USE, ABUSE OF THE FIXTURE, IMPROPER INSTALLATION, OR REPAIR, OR MODIFICATION OF THE FIXTURE WITHOUT PRIOR WRITTEN AUTHORIZATION FROM THE MANUFACTURER WILL VOID THIS WARRANTY. ©2004