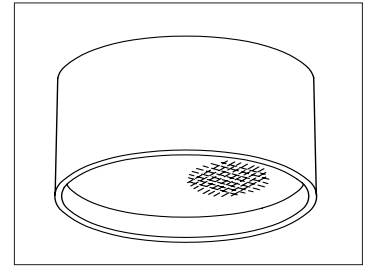


CATALOG #	TYPE	
JOB NAME	WATTAGE	VOLTAGE

12" 1 PS25 300 WATT MAXIMUM

SR01242

MRI Surface Cylinder Uniform Illumination



Features

Lamp

- Designed for: 300 watt (max.) frosted PS-25 (by others).
- Dimmable (controls by others).
- For operation on D.C. circuits.

Socket

- Glazed porcelain medium base horizontal.
- Nickel plated brass screw shell.
- Silicone leads.

Reflector

- Specular Alzak® aluminum.

Trim Assembly

- Smooth white seamless tapered aluminum flare trim.
- Self-flanged trim interlocks with housing.
- Prismatic low brightness, spread distribution C#73 lens.

- Optional lenses and flat trim available, see Options.

Housing

- Seamless white acrylic enameled aluminum.
- No visible cylinder hardware. Optional colors.
- Cool: Dissipates heat across entire surface area.
- Rustproof: Exceeds 1000 hour ASTM 5% salt spray test.

Outlet Box

- By contractor. Must be non-magnetic.

Installation

- Center point mounting with snug fit to ceiling.
- Mounting hardware furnished.
- Non-ferrous wall bracket optional, see -WB.

UL, C-UL (Canada) Listings

- Wet, damp or dry locations, covered ceilings.

Three Year Limited Warranty

- Complete standard fixture.

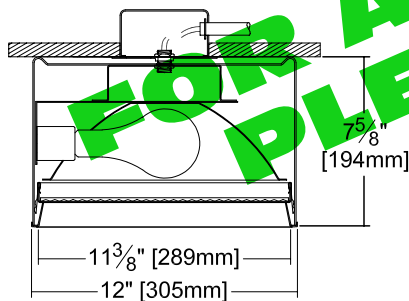
Surface Round
Lensed
MRI

THIS FIXTURE IS NO LONGER AVAILABLE FOR AN ALTERNATIVE PLEASE CONSULT FACTORY

NOT RESTRICTED TO END-OF-RUN USE

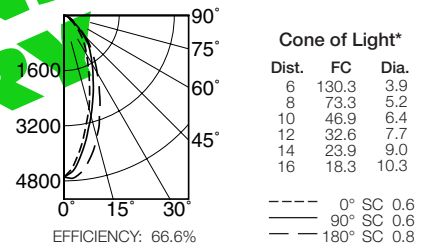
Performance at a Glance

SR01242

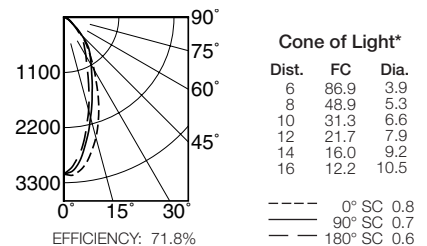


Representative View:
With optional wall bracket (Option -WB)

SR01242 (300 Watt)



SR01242 (200 Watt)



Cone of Light Key
Ft. Distance from fixture
FC Footcandles at nadir (0°)
Dia. Circle of light at 50% of FC

* Dia. (in ft.) shown is where FC value is half the FC at nadir.

THE KIRLIN COMPANY

3401 EAST JEFFERSON AVENUE • DETROIT, MICHIGAN 48207-4232
(313) 259-6400 • Fax: (313) 259-9409 OR (313) 259-3121 • www.kirlinlighting.com

HEALTHCARE FACILITY
& PATIENT LIGHTING

MAXIMUM WATTAGE

1 PS25 300

CATALOG NUMBER

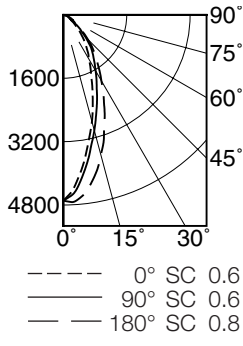
SR01242

DUE TO OUR CONTINUING EFFORT TO IMPROVE PRODUCTS, TECHNICAL INFORMATION IS SUBJECT TO CHANGE WITHOUT NOTICE.

Detailed Photometry - Installed Fixture

Photometry from I.T.L., Boulder, CO

SR01242 (300 Watt)



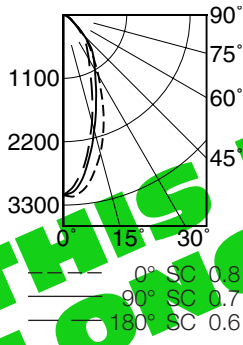
EFFICIENCY : 67.8%

CANDLEPOWER DISTRIBUTION					
	0.0	45.0	90.0	135.0	180.0
0	4690	4690	4690	4690	4690
5	4164	4185	4336	4528	4650
15	2790	2658	3022	3285	3659
25	1658	1688	1991	2153	2426
35	1031	1193	1334	1486	1516
45	566	657	788	849	869
55	243	334	323	435	364
65	142	152	182	202	222
75	40	40	61	61	81
85	3	4	4	4	4
90	0	0	0	0	0

COEFFICIENTS OF UTILIZATION							
RF	20						
	80			50			
RC							
RW	70	50	30	10	50	30	10
1	76	74	72	70	69	68	67
2	71	67	64	61	64	61	59
3	67	61	57	54	58	55	53
4	62	56	52	48	54	50	47
5	59	52	47	44	50	46	43
6	55	48	43	40	46	42	39
7	52	45	40	36	43	39	36
8	49	42	37	34	40	36	33
9	46	39	34	31	38	34	31
10	44	37	32	29	36	32	29

ITL TEST #47058

SR01242 (200 Watt)



EFFICIENCY : 71.8%

CANDLEPOWER DISTRIBUTION					
	0.0	45.0	90.0	135.0	180.0
0	3128	3128	3128	3128	3128
5	3109	3064	2982	2867	2864
15	2483	2252	2067	1839	1921
25	1592	1459	1334	1132	1108
35	946	984	918	817	718
45	501	530	517	461	419
55	207	268	216	243	192
65	111	110	112	102	102
75	36	38	41	38	36
85	2	2	3	4	4
90	0	0	0	0	0

COEFFICIENTS OF UTILIZATION							
RF	20						
	80			50			
RC							
RW	70	50	30	10	50	30	10
1	81	78	76	74	74	72	71
2	75	71	68	65	65	65	63
3	71	65	61	57	57	59	56
4	66	60	55	51	51	53	50
5	62	55	50	46	46	49	46
6	59	51	46	42	42	45	42
7	55	47	42	39	39	42	39
8	52	44	39	36	36	39	36
9	49	42	37	33	33	36	33
10	47	39	34	31	31	34	31

ITL TEST #47059

THIS FIXTURE IS NO LONGER AVAILABLE FOR AN ALTERNATIVE PLEASE CONSULT FACTORY

Options

- 18 Anopal flat glass. Diffusing. Also see Option -FT.
- 20 Louver, aluminum, egg-crate. 1/2" cube. White.
- 35 Natural Aluminum enameled housing finish instead.
- 36 Gold enameled housing finish instead.
- 37 Dark Bronze enameled housing finish instead.
- 38 Black enameled housing finish instead.
- 44 Black OptiGroove regressed trim assembly instead; white self-flange. With C#73 lens or add optional lens. Also see Option -94.
- 45 Gasket between trim and housing.
- 46 Gasket between trim and lens.
- 80 2" concealment collar for mounting luminaire beneath surface outlet box. 1/2" T.S. KO's.
- 89 Sealed top for use with Option -WB.
- 94 Custom color specify parts. Consult factory.
- 99 Special modification. Consult factory.
- FR Fresnel lens instead. Concentrates light.
- HO Holophane concave prismatic tempered lens instead. Must be used with Option -FT.
- TC Teflon safety coating for specified lens.
- WB Wall bracket mount instead. Also see -89.

SUBMITTAL DATA

APPROVAL STAMP

JOB NAME _____
 TYPE _____
 WATTAGE _____ VOLTAGE _____
 CATALOG NUMBER _____

LIMITED WARRANTY: CATALOGED KIRLIN FIXTURES ARE WARRANTED FREE OF DEFECTS IN WORKMANSHIP OR MATERIAL FOR THREE YEARS FROM DATE OF PURCHASE. INSTALLED TO N.E.C. IN NORMAL USE. Manufacturer at the option will replace or repair each fixture or refund the purchase price on presentation of proof of purchase and defective fixture at the offices of manufacturer within three years of original shipment. Liability of manufacturer is limited to the foregoing, and manufacturer shall not be liable for any other damages, direct or indirect, sustained or suffered by purchaser or any person. This warranty is supplied in place of all other warranties, expressed or implied. Seller does not warrant as to merchantability or fitness for a particular use, nor will any oral statement constitute a warranty or amend this specific warranty. Abnormal use, abuse of the fixture, improper installation, or repair, or modification of the fixture without prior written authorization from the manufacturer will render the warranty void.