



CATALOG #	TYPE
JOB NAME	VOLTAGE

# SPS-1000A

## 0-10V SmartSupply™ with Analog Interface

### Fully Digital Controlled Power Source for Symphony Luminaires

Capable of Driving and Dimming up to 12 (-1500L), 6 (-2500L) or 3 (-5000L or -6500L) Fixtures



For Power Supply with DMX Interface See: SPS-1000D

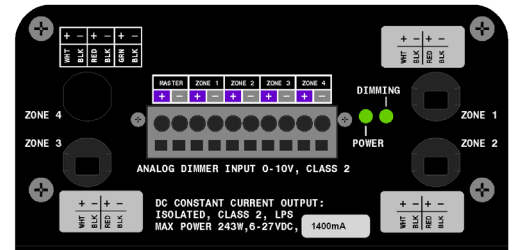
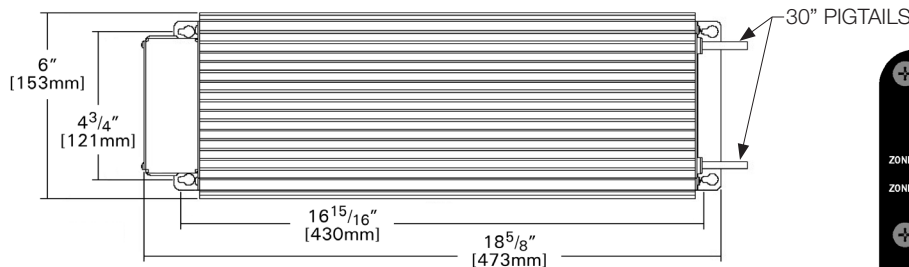
- Provides six output channels with the ability to control entire driver (master), or 3 dimming zones
- Smooth 0.2 to 100% dimming; consult factory for compatible 0-10V controls
- Up to 243 watts of output power; consumes only 4 watts at 0% dimming
- 87% efficiency
- Input: 115 to 277 VAC isolated circuit only; **maximum input voltage 290V**; 50-60 Hz; load insensitive
- Convection cooled, plenum rated
- Over wattage, cross channel and electrical fast transient (EFT) protection

	-1500L Lumen Series	-2500L Lumen Series	-5000L Lumen Series	-6500L Lumen Series
Quantity of luminaires operated on a single driver - 6 output channels total	*Up to 12	Up to 6	Up to 3	Up to 3
	Up to 6			
Maximum cable run from driver to luminaire (16 gauge)	150'	250'	250'	150'
Driver Dimming /Control Capabilities** 0-10V offers "Master" control of all 6 channels or up to 3 Zones; each Zone consists of a pair of channels. Drivers can be "daisy chained" to operate on one or more dimmers	*2 fixtures per channel in series	1 fixture per channel	1 fixture per 2 channels	1 fixture per 2 channels
	1 fixture per channel			

\* Two fixtures wired in series on one channel. Pairs will be controlled together.

\*\* Each dimming input sources 0.5 mA maximum. Consult 0-10V Dimmer Control Manufacturer for maximum number of Kirlin drivers that can be controlled

## Dimensions and Interface

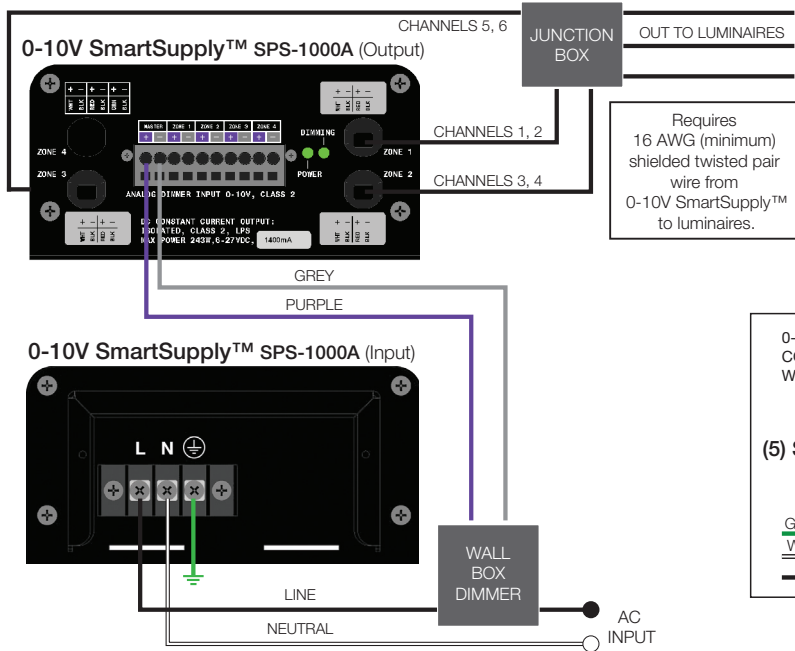


**NOTE: MUST use 16 AWG shielded twisted pair wire from SmartSupply™ to luminaire (Belden #8719 or equal)**



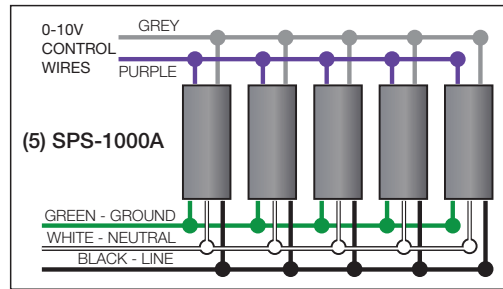
The Kirlin Company  
3401 EAST JEFFERSON AVENUE • DETROIT, MICHIGAN 48207-4232  
(313) 259-6400 • Fax: (313) 259-3121 • www.kirlinlighting.com



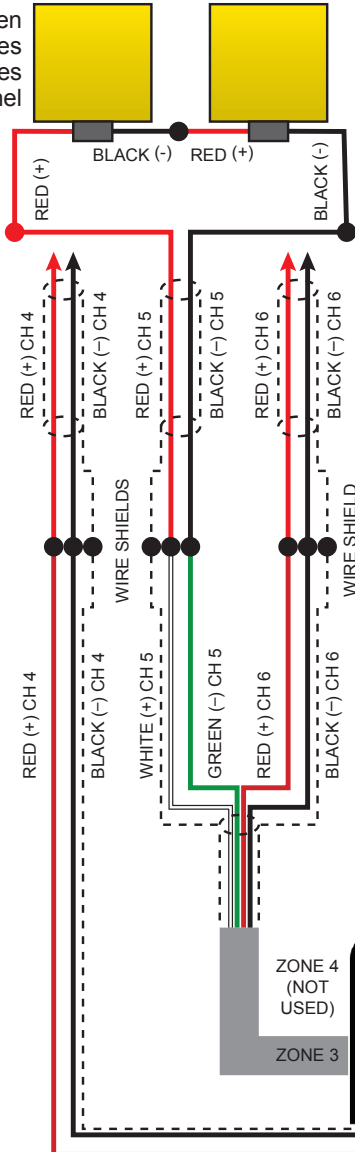


Requires 16 AWG (minimum) shielded twisted pair wire from 0-10V SmartSupply™ to luminaires.

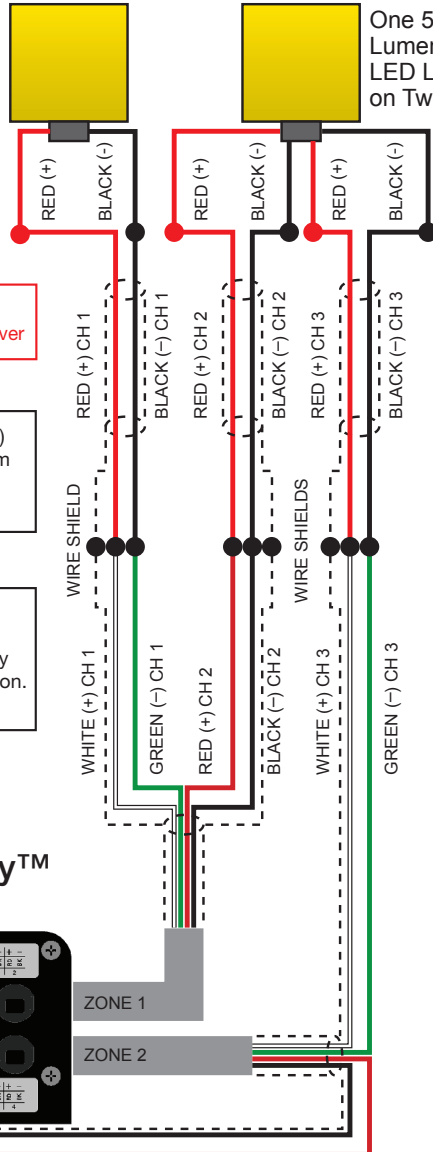
Remote drivers are **REQUIRED**.  
Select **SPS-1000D SmartDMX™**  
**OR**  
**SPS-1000A 0-10V SmartSupply™** and order separately



Two 1500 Lumen Series Luminaires or Two Sconces on One Channel



One 1500 or 2500 Lumen Series LED Luminaire on One Channel



One 5000 or 6500 Lumen Series LED Luminaire on Two Channels

**DO NOT CONNECT LED luminaires to energized driver**

Requires 16 AWG (minimum) shielded twisted pair wire from SmartSupply to luminaires. (Belden #8719 or equal)

Wire shields **MUST** be connected to the shields on the output of the SmartSupply for effective RFI/EMI suppression. Do **NOT** ground at fixture

0-10V SmartSupply™ SPS-1000A

## Wallbox Analog 0-10V Dimming Options

Wallbox dimmers enable users to set the desired light level by manually increasing or decreasing the light levels by adjusting the slide. Slide and preset dimmers take the place of a switch.

Company	Part # #	Power Booster Available	Website
Douglas Lighting Controls	WPC-5721		www.douglaslightingcontrol.com
Entertainment Technology	TG600FAM120 Tap Glide (120V) TGH1500FAM120 Tap Glide Heatsink (120V) OA2000FAMJ (120/277V)		www.etdimming.com
Honeywell Inc.	EL7315A1019 EL7315A1009	EL7305A1010 EL7305A1010	www.honeywell.com
HUNT Dimming	PS-010-120V-WT PS-010-IV-120V Preset Slide PS-010-WH-120V Preset Slide PS-010-3W-IV-120V Preset Slide PS-010-3W-WH-120V Preset Slide PS-010-IV-277V Preset Slide PS-010-WH-277V Preset Slide PS-010-3W-IV-277V Preset Slide PS-010-3W-WH-277V Preset Slide FD-010: PS-IFC-010-IV and PS-IFC-010-WH-120/277V FD-010: PS-IFC-010-3W-IV and PS-IFC-010-3W-WT-120/277V FD-010-120V and FD-010-277V		www.huntndimming.com
Lehigh Electric Products Co.	Solitaire	PBX	www.lehighdim.com
Leviton Lighting Controls Div.	IP710-DLX Leviton Centura Fluorescent Control System IllumaTech 1P7 Series	CN100 PE300	www.leviton.com
Lightolier Controls	ZP600FAM-XXX Sunrise Preset Slider MP1500FAM-XXX Momentum Preset Slider V2000FAMU Vega Slider		www.lightolier.com
Lithonia Controls	ISD BC SLD LPCS Digital Equinox (DEQ BC)	RDM FC	www.lithonia.com
Lutron Electronics Co. Inc.	NFTV - Nova * NTSTV - Nova T * DVTV - Diva * DVSTV - Diva * V-600 w/GRX-TVI - Vareo		www.lutron.com
Starfield Controls	TR61 with DALI interface port	RT03 DALInet Router	www.starfieldcorp.com
The Watt Stopper, Inc	LS-4 used with LCD-101 and LCD-103		www.wattstopper.com

\* **WARNING!** When using Lutron NSTV or NTSTV low-voltage 0-10V dimmers, do not specify or install Lutron PP-Series power packs. Use of PP-Series power packs may cause damage to the SmartSupply™ that is not covered under warranty.

## THE KIRLIN COMPANY

3401 EAST JEFFERSON AVENUE • DETROIT, MICHIGAN 48207-4232  
(313) 259-6400 • Fax: (313) 259-3121  
info@kirlinlighting.com • www.kirlinlighting.com

## Specifications

Input Specifications			
Rated Input Voltage and Frequency	115 to 277 VAC 50-60 Hz		
<b>Maximum Input Voltage</b>		<b>290 VAC</b>	
<b>Power conditioning and/or TVSS protection STRONGLY advised for 277V input circuits. If not available, 120V supply is recommended.</b>			
Rated Input Current	2.7 - 1.1 A		
Power Factor EN61000-3-2	@ 115 or 277 VAC 100% load	0.97	W/WA min
Input Current Total Harmonic Distortion	@ 115 or 277 VAC 100% load	13	% max

Environmental Specifications	
Location Rating	Dry
Operating Ambient Temperature	-20°C to + 40°C
Cold Start Temperature	-20°C
Storage Ambient Temperature	-40°C to 80°C
Relative Humidity	5% to 95% noncondensing
MTBF (12 channel)	>60,000 hours @ 40°C >97,000 hours @ 25°C

Safety and EMI / EMC Specifications		
Control Method	Analog 0-10 VDC IEC 60929 or ESTA E1.3-2001 Class 2 outputs	Master, Zone 1, Zone 2, Zone 3, Zone 4 outputs each source 0.5 mA maximum
Loss of Analog Input Signal	Outputs will go to 100% light intensity in less than 1 second	

Output Specifications			
Rated Output Power	@40°C ambient	243	W max
Output Voltage Dynamic Range	Under load conditions	6.0 to 27.0	VDC
Efficiency	100% load @ 277 VAC input	87	%
Turn on delay	Time required for stabilization of all outputs	2	sec typical
Output Current Tolerance	+/-5% of nominal		

Protection	
Output Protection	Over voltage, over current, short circuit protection
Over Temperature Protection	Power supply will shut down when external ambient temperature exceeds 43°C or case temperature reaches 85°C nominal
Output Interconnection Protection	Shutdown of module; requires recycling of AC input to restart

Safety and EMI / EMC Specifications		
Agency Approvals	UL60950-1 SELV, LPS, Class 2 outputs	Subject 8750
Conducted & Radiated Emissions	EN55022 FCC Title 47, Part 15 003	ICES- Class A
RoHs Compliant		

Kirlin reserves the right to make changes without further notice to any products herein to improve reliability, function, or design. Kirlin does not assume any liability arising out of the application or use of any product described herein; neither does it convey any license under its patent rights, nor the rights of others.

## SUBMITTAL DATA

JOB NAME \_\_\_\_\_

TYPE \_\_\_\_\_ VOLTAGE \_\_\_\_\_

CATALOG NUMBER \_\_\_\_\_

## APPROVAL STAMP



LIMITED WARRANTY: CATALOGED KIRLIN FIXTURES ARE WARRANTED FREE OF DEFECTS IN WORKMANSHIP OR MATERIAL FOR FIVE YEARS FROM DATE OF PURCHASE. INSTALLED TO N.E.C. IN NORMAL USE. Manufacturer at the option will replace or repair such fixture or refund the purchase price on presentation of proof of purchase and defective fixture at the office of manufacturer within five years of original shipment. Liability of manufacturer is limited to the original shipment. Liability of manufacturer shall not be liable for any other damages, direct or indirect, sustained or suffered by purchaser or any person. This warranty is supplied to the buyer in place of all other warranties, expressed or implied. Seller does not warrant as to merchantability or fitness for a particular use, nor will any oral statement constitute a warranty or amend this specific warranty. Abnormal use, abuse of the fixture, improper installation, or repair or modification of the fixture without prior written authorization from the manufacturer will render the warranty void.