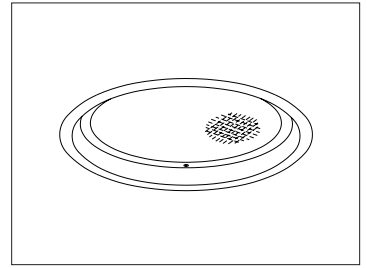


CATALOG #	TYPE	
JOB NAME	WATTAGE	VOLTAGE

10" 1 Triple 32 WATT MAXIMUM

RV01066

Psychiatric Rooms: Vandal Resistant General Illumination • Type IC



Features

Lamp

- Designed for one 4-pin triple tube amalgam or quad compact fluorescent lamp: 32/26W triple or 26W quad.

Ballast: Multi-Wattage/Voltage

- Installed electronic high power factor, thermally protected. For lower wattages see Option -43. For dimming see Option -39.
- 120-277 multi-volt; 50-60 Hz. THD <10%.
- ClickQuick connectors for fast servicing.
- Cold weather -22°F (-30°C).
- End of lamp life protection circuit. RFI filter.
- Internally fused. Also see Option -FS.

Reflector

- High efficiency specular aluminum.

Trim Assembly

- Tamper resistant smooth seamless tapered white aluminum flare. Self-flanged trim.
- Lens combines prismatic acrylic overlay with 1/4" clear polycarbonate below for added vandal resistance. Also see Option -13.
- Flush tamperproof hex screws with center pin secure trim to captive nuts in housing.

- Continuous ring and four screws secure lens.

Aluminum Housing

- Acrylic enameled. Rustproof: Exceeds 1000 hour ASTM 5% salt spray test.
- Lightweight: Minimizes ceiling load.
- Cool operation: Extends component life.
- Entire luminaire serviced through trim.
- Built-in plaster frame.

Outlet Box

- UL listed, prewired 14 GA (NEC) galvanized steel with removable insulated cover.
- 1/2" and 3/4" knockouts.

Installation

- 27" galvanized hanger bars with adjustable mounting brackets (2) supplied.
- Recesses in any ceiling type.

UL, C-UL (Canada) Listings

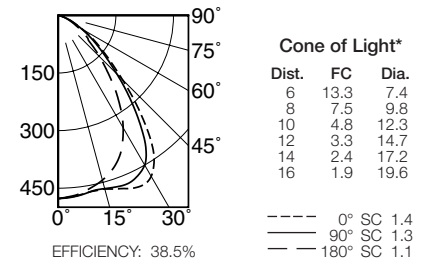
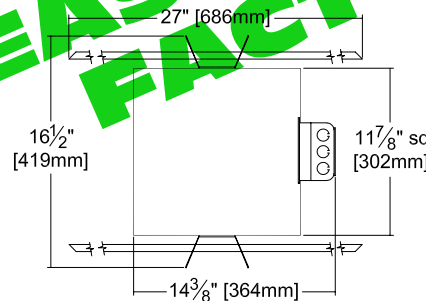
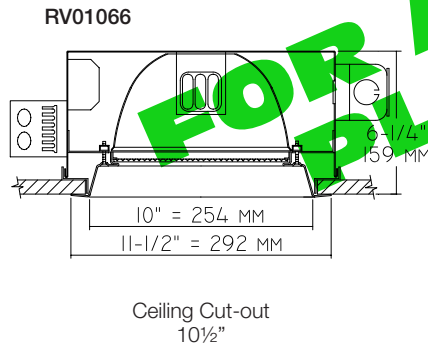
- Wet, damp or dry locations, covered ceilings.
- Type IC. Approved for direct contact with insulation.
- Through-branch circuit conductors (up to 6 #12). Supply wire rating: 90°C.

Three Year Limited Warranty

- Complete standard fixture and ballast.

Recessed Round
Vandal Resistant
Type IC

Performance at a Glance



* Dia. (in ft.) shown is where FC value is half the FC at nadir.

Cone of Light Key
 Ft. Distance from fixture
 FC Footcandles at nadir (0°)
 Dia. Circle of light at 50% of FC

THE KIRLIN COMPANY

3401 EAST JEFFERSON AVENUE • DETROIT, MICHIGAN 48207-4232
 (313) 259-6400 • Fax: (313) 259-9409 OR (313) 259-3121 • www.kirlinlighting.com

HEALTHCARE FACILITY
& PATIENT LIGHTING

MAXIMUM WATTAGE

1 Triple 32

CATALOG NUMBER

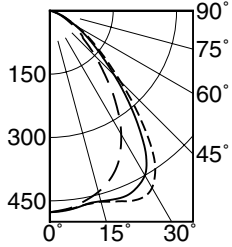
RV01066

DUE TO OUR CONTINUING EFFORT TO IMPROVE PRODUCTS, TECHNICAL INFORMATION IS SUBJECT TO CHANGE WITHOUT NOTICE.

Detailed Photometry - Installed Fixture

Photometry from I.T.L., Boulder, CO

RV01066 (1 Triple 32)



----- 0° SC 1.4
 ----- 90° SC 1.3
 ----- 180° SC 1.1

EFFICIENCY : 38.5%

CANDLEPOWER DISTRIBUTION					
	0.0	45.0	90.0	135.0	180.0
0	477	477	477	477	477
5	473	474	474	473	471
15	468	465	467	459	444
25	493	472	470	446	388
35	432	402	390	353	276
45	236	230	216	195	152
55	116	110	107	93	81
65	44	44	42	38	35
75	11	12	11	10	8
85	0	1	1	1	0
90	0	0	0	0	0

COEFFICIENTS OF UTILIZATION								
RF	20							
	80			50				
	RW	70	50	30	10	50	30	10
1	43	42	40	39	39	38	38	38
2	40	38	36	34	36	34	33	33
3	37	34	31	29	32	30	29	29
4	35	31	28	26	29	27	25	25
5	32	28	25	23	27	24	23	23
6	30	26	23	21	25	22	20	20
7	28	24	21	19	23	20	18	18
8	26	22	19	17	21	18	17	17
9	25	20	17	15	19	17	15	15
10	23	19	16	14	18	16	14	14

ITL TEST #42386

Patient Room Lighting Requirements are Surpassed by Kirlin

Recommended Standards for Patient Room Lighting by

IESNA "Lighting for Hospital and Healthcare Facilities": General Illumination 5-10 fc @ Work-plane 30" AFF

General Illumination
 Avg. fc at Work-plane @ 30" AFF
 (4 luminaires)

RV01066 14 fc
 1-32W Triple tube



14' x 13' x 9'H room
 size represented.

Options

Ballast, Wattage and Voltage

- 39 Installed electronic dimming ballast. Not Type IC listed. Indoor use. 10°C (50°F) minimum start. Specify wattage, voltage and brand.
- 43 Lower wattage: for 4-pin 18W triple or 18-13W quad. Specify wattage.
- 97 Specify other voltage. Consult factory.
- 98 347 volt, 50/60 Hz. input. Consult factory.

Emergency Ballast - Specify Voltage¹

- Internal (factory installed) ballast, test switch and indicator light. Suitable for damp locations from 0° to 50°C (32° to 122°F) or with Cold Weather version (see -CE) -20° to 55°C (-4° to 131°F).
- 73 Internal EM ballast. Specify voltage.
- CE Internal cold weather (-20° to 55°C) EM ballast. Specify voltage.
- HE¹ Internal higher lumen (up to 1250) EM ballast. 13-32W only. Specify voltage.

Lenses and Trims

- 45 Gasket between trim and ceiling.
- 46 Gasket between lens and trim.
- 94 Custom color trim. Consult factory.
- TC Teflon coated safety lens.

Other

- 99 Special modification. Consult factory.
- FS Additional in-line fuse.
- LE With 4-pin electronic lamp. 3500° standard. 82 CRI and 12,000 hour life. Specify wattage, style and color temperature.

¹ Visit www.kirlinlighting.com for most current performance/specifications.

SUBMITTAL DATA

APPROVAL STAMP

JOB NAME

TYPE

WATTAGE

VOLTAGE

CATALOG NUMBER

THIS FIXTURE IS NO LONGER AVAILABLE FOR AN ALTERNATIVE PLEASE CONSULT FACTORY

LIMITED WARRANTY: CATALOGED KIRLIN FIXTURES ARE WARRANTED FREE OF DEFECTS IN WORKMANSHIP OR MATERIAL FOR THREE YEARS FROM DATE OF PURCHASE. INSTALLED TO N.E.C. IN NORMAL USE. Manufacturer at the option will replace or repair each fixture or refund the purchase price on presentation of proof of purchase and defective fixture at the office of manufacturer within three years of original shipment. Liability of manufacturer is limited to the foregoing, and manufacturer shall not be liable for any other damages, direct or indirect, sustained or suffered by purchaser or any person. This warranty is supplied in place of all other warranties, expressed or implied. Seller does not warrant as to merchantability or fitness for a particular use, nor will any oral statement constitute a warranty or amend this specific warranty. Abnormal use, abuse of the fixture, improper installation, or repair, or modification of the fixture without prior written authorization from the manufacturer will render the warranty void.