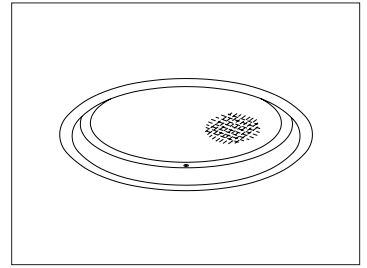


CATALOG #	TYPE	
JOB NAME	WATTAGE	VOLTAGE

10" 2 Triple 32 WATT MAXIMUM

RV01054

## Tamperproof High Illuminance U.L. Wet Shower Light



Recessed Round  
Tamperproof  
Shower

### Features

#### Lamps

- Designed for two 4-pin triple tube amalgam or quad compact fluorescent lamps: 32/26W triple or 26W quad.

#### Ballast: Multi-Wattage/Voltage

- Installed electronic high power factor, thermally protected. For lower wattages see Option -43. For dimming see Option -39.
- 120-277 multi-volt; 50-60 Hz. THD <10%.
- ClickQuick connectors for fast servicing.
- Cold weather -22°F (-30°C).
- End of lamp life protection circuit. RFI filter.
- Internally fused. Also see Options -FS, -FD.

#### Reflector

- Clear specular Alzak® aluminum.

#### Trim Assembly

- Tamper resistant smooth seamless tapered white aluminum flare. Self-flanged trim.
- Lens combines prismatic acrylic overlay with 1/4" clear polycarbonate below for added vandal resistance. Also see Option -13.

- Flush tamperproof hex screws with center pin secure trim to captive nuts in housing.
- Continuous ring and four screws secure lens.

#### Aluminum Housing

- Acrylic enameled. Rustproof: Exceeds 1000 hour ASTM 5% salt spray test.
- Lightweight: Minimizes ceiling load.
- Cool operation: Extends component life.
- Entire luminaire serviced through trim.
- Built-in plaster frame.

#### Outlet Box

- UL listed, prewired 14 GA (NEC) galvanized steel with removable insulated cover.
- 1/2" and 3/4" knockouts.

#### Installation

- 27" galvanized hanger bars with adjustable mounting brackets (2) supplied.
- Recesses in any ceiling type.

#### UL, C-UL (Canada) Listings

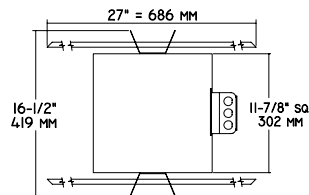
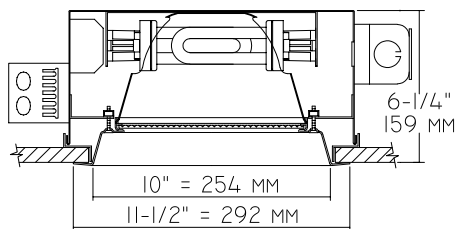
- Wet, damp or dry locations, covered ceilings.
- Through-branch circuit conductors (up to 6 #12). Supply wire rating: 90°C.

#### Three Year Limited Warranty

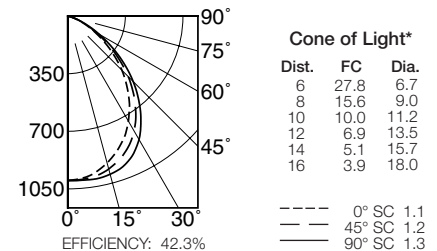
- Complete standard fixture and ballast.

### Performance at a Glance

RV01054



Ceiling Cut-out  
10 1/2"



#### Cone of Light Key

- Ft. Distance from fixture
- FC Footcandles at nadir (0°)
- Dia. Circle of light at 50% of FC

\* Dia. (in ft.) shown is where FC value is half the FC at nadir.

## THE KIRLIN COMPANY

3401 EAST JEFFERSON AVENUE • DETROIT, MICHIGAN 48207-4232  
(313) 259-6400 • Fax: (313) 259-9409 OR (313) 259-3121 • www.kirlinlighting.com

HEALTHCARE FACILITY  
& PATIENT LIGHTING

MAXIMUM WATTAGE

2 Triple 32

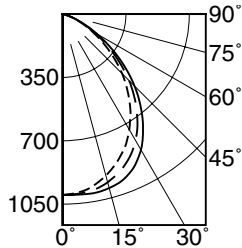
CATALOG NUMBER

RV01054

Detailed Photometry - Installed Fixture

Photometry from I.T.L., Boulder, CO

RV01054 (2 Triple 32)



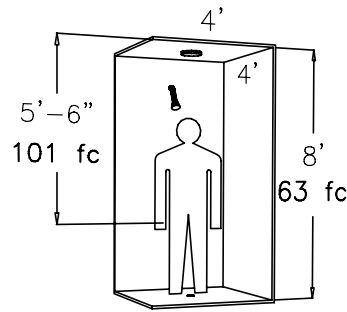
--- 0° SC 1.1  
 - - - 45° SC 1.2  
 ——— 90° SC 1.3

EFFICIENCY : 42.3%

CANDLEPOWER DISTRIBUTION					
	0.0	45.0	90.0	135.0	180.0
0	999	999	999	999	999
5	989	991	996	1000	1001
15	924	936	962	986	995
25	813	830	874	916	933
35	654	674	721	762	775
45	466	483	520	550	562
55	267	276	297	317	326
65	111	114	124	131	133
75	22	23	24	25	26
85	0	0	0	0	0
90	0	0	0	0	0

COEFFICIENTS OF UTILIZATION							
RF	20						
	80			50			
RC	70	50	30	10	50	30	10
RW							
1	47	46	44	43	43	42	41
2	44	41	38	36	39	37	35
3	40	37	34	31	35	33	31
4	37	33	30	27	31	29	27
5	35	30	27	24	29	26	24
6	32	27	24	21	26	23	21
7	30	25	21	19	24	21	19
8	28	23	20	17	22	19	17
9	26	21	18	16	20	18	16
10	25	20	16	14	19	16	14

ITL TEST #45266



Average footcandles for 4'x4'  
 shower stall, luminaire mounted  
 5'6" or 8' from site, 80% reflectivity.

Options

Ballast, Wattage and Voltage

- 39 Installed electronic dimming ballast. Not Type IC listed. Indoor use. 10°C (50°F) minimum start. Specify wattage, voltage and brand.
- 43 Lower wattage: for 4-pin 18W triple or 18-13W quad. Specify wattage.
- 84 Fixture wired for two circuits. Also see -FD.
- 97 Specify other voltage. Consult factory.
- 98 347 volt, 50/60 Hz. input. Consult factory.

Emergency Ballast - Specify Voltage<sup>1</sup>

Internal (factory installed) ballast, test switch and indicator light. Suitable for damp locations from 0° to 50°C (32° to 122°F) or with Cold Weather version (see -CE) -20° to 55°C (-4° to 131°F).

- 73 Internal EM ballast. Specify voltage.
- CE Internal cold weather (-20° to 55°C) EM ballast. Specify voltage.
- HE<sup>1</sup> Internal higher lumen (up to 1250) EM ballast. Specify voltage.

Lenses and Trims

- 13 Clear 1/8" flat polycarbonate beneath prismatic flat C#73 lens.
- 21 White translucent flat poly instead.
- 32 Trim extender. Broadens trim flange O.D. by 1".
- 44 Black OptiGroove regressed trim assembly instead; white self-flanged. With C#73 lens or add optional lens. Also see Option -94.
- 45 Gasket between trim and ceiling.

- 46 Gasket between lens and trim.
- 94 Custom color trim assembly. Consult factory.
- TC Teflon safety coating for specified lens.

Other

- 99 Special modification. Consult factory.
- FD Two additional in-line fuses. One per ballast. Use with Option -84. Not available with Option -98(347V).
- FS Additional in-line fuse. Not available with Option -98(347V).
- LE With 4-pin electronic lamps. 3500° standard. 82 CRI and 12,000 hour life. Specify wattage, style and color temperature.

<sup>1</sup> Visit [www.kirlinlighting.com](http://www.kirlinlighting.com) for most current performance / specifications.

SUBMITTAL DATA

APPROVAL STAMP

JOB NAME \_\_\_\_\_  
 TYPE \_\_\_\_\_  
 WATTAGE \_\_\_\_\_ VOLTAGE \_\_\_\_\_  
 CATALOG NUMBER \_\_\_\_\_

LIMITED WARRANTY: CATALOGED KIRLIN FIXTURES ARE WARRANTED FREE OF DEFECTS IN WORKMANSHIP OR MATERIAL FOR THREE YEARS FROM DATE OF PURCHASE. INSTALLED TO N.E.C. IN NORMAL USE. Manufacturer at the option will replace or repair each fixture or refund the purchase price on presentation of proof of purchase and defective fixture at the office of manufacturer within three years of original shipment. Liability of manufacturer is limited to the foregoing, and manufacturer shall not be liable for any other damages, direct or indirect, sustained or suffered by purchaser or any person. This warranty is supplied in place of all other warranties, expressed or implied. Seller does not warrant as to merchantability or fitness for a particular use, nor will any oral statement constitute a warranty or amend this specific warranty. Abnormal use, abuse of the fixture, improper installation, or repair, or modification of the fixture without prior written authorization from the manufacturer will render the warranty void.