

High Wattage for Large Area Illumination

Features

Lamp

- Designed for :
1000 watt coated BT-56 vertical.
- Option -23 for Mercury, Option -24 for HPS. Consult factory.

Socket

- Vertical. Mogul base.
- Glazed porcelain.
- Nickel-plated brass screw shell. Silicone leads.

Reflector

- GlasSurfaced™ multi-faceted specular aluminum.

Trim Assembly

- UV absorbing tempered low brightness prismatic flat glass.
- White rust-free polished nickel stainless door (304-L) and captive thumb screw. Slender with concealed hinges for fast relamping.
- Attractively beveled extruded aluminum frame tooled to ensure close fit with door.
- White aluminum ceiling pan with fixture trim cutout; for 2 x 2 lay-in ceiling.

Ballast Assembly

- Remote mounted indoor enclosed ballast.
- Premium Class H; CWA.
- 120 volt standard or see optional voltages.

Fuse

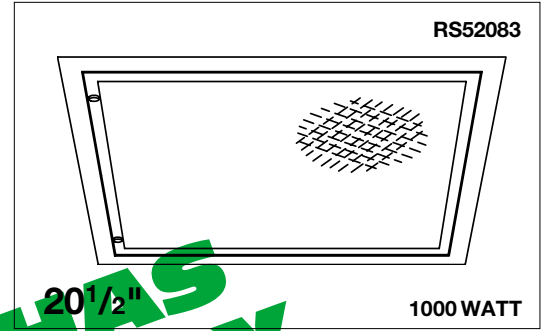
- Fused primary. Renewable. Aids servicing.

Housing

- Halogen resistant finish; will not rust in heavily chlorinated atmosphere.
- Acrylic enameled aluminum.
- Cool: Dissipates heat across entire surface area.
- Rustproof: Exceeds 1000 hour ASTM 5% salt spray test.
- Entire luminaire serviced through removable trim assembly. Ballast serviced
- Top access optional; see Option -TA.

Outlet Box

- Prewired 14 GA (NEC) galvanized steel, UL listed.
- Removable insulated cover.
- 1/2" and 3/4" knockouts.



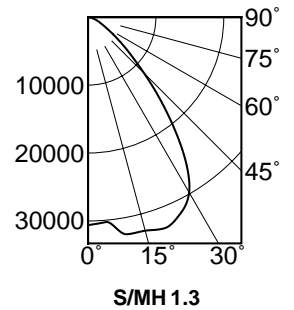
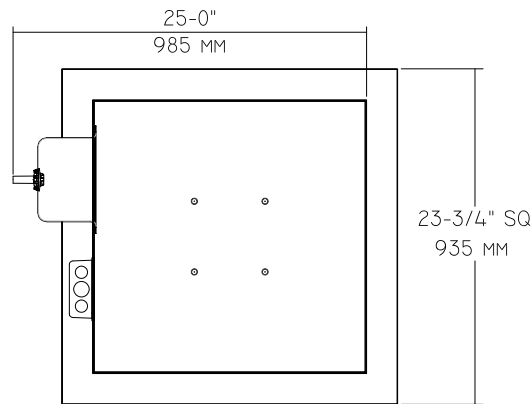
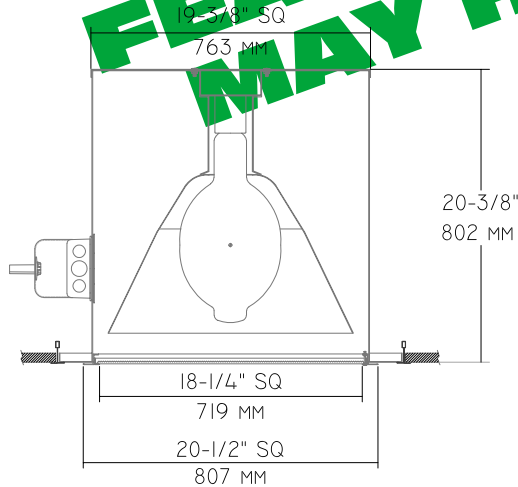
For High Ceilings
30,606 Candela At Nadir
S/MH = 1.3

Installation

- Recesses indoor or outdoor in covered locations.
- Drops into 2' x 2' inverted "T" or ceiling grid.
- In wet plaster, use plaster frame; see Option -47.
- **UL, C-UL (Canada) Listings**
- Wet, damp or dry locations, covered ceilings.
- Through-branch circuit conductors (6 #12).
- **Three Year Limited Warranty**
- Complete standard fixture.
- **Thermal Protection**
- Per current NEC.

Performance at a Glance

RS52083



THE KIRLIN COMPANY

3401 EAST JEFFERSON AVENUE • DETROIT, MICHIGAN 48207-4232
(313) 259-6400 • Fax: (313) 259-9409 or (313) 259-3121

LAMP

MAXIMUM WATTAGE

CATALOG NUMBER

**HIGH EFFICIENCY
METAL HALIDE LIGHTING**

BT-56

1000

RS52083

THE KIRLIN COMPANY RESERVES THE RIGHT TO CHANGE, WITHOUT NOTICE, DETAILS OR SPECIFICATIONS IN PRODUCT DESIGN.

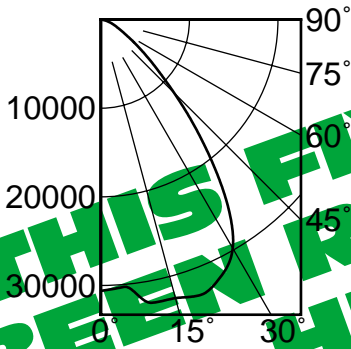
Detailed Photometry - Installed Fixture

CANDLEPOWER DISTRIBUTION

	0.0	45.0	90.0	135.0	180.0
0	30606	30606	30606	30606	30606
5	30665	30760	31875	28374	31715
15	35095	31189	32517	32152	32641
25	33072	32601	31576	31271	31255
35	24138	24259	25404	25009	24558
45	11875	11690	11476	11645	10947
55	4780	4963	4654	4612	5275
65	2020	1770	1901	2068	2127
75	594	827	814	826	829
85	86	62	61	37	25
90	0	0	0	10	0

RS52083

*LER = 54.3
•AEC = \$4.42



EFFICIENCY = 51.0%

EFFICIENCY OF UTILIZATION

REFLECTOR	20					
	70	50	30	10	30	10
1	57	55	53	52	52	49
2	53	50	47	45	47	43
3	49	45	42	39	43	38
4	46	41	37	35	39	34
5	43	37	34	31	36	31
6	40	34	31	28	33	28
7	37	32	28	25	30	25
8	35	29	25	23	28	23
9	33	27	23	21	26	21
10	31	25	22	19	24	19

THIS FIXTURE HAS BEEN REPLACED BY HRS-17175 SOME DESIGN OR OPTIONS MAY HAVE CHANGED

Options

- 23 Consult factory for mercury ballast instead. 1000 watt standard. Specify voltage.
- 24 Consult factory for HPS ballast instead. 1000 watt standard. Specify voltage.
- 45 Silicone gasket between housing and ceiling.
- 46 Silicone gasket between trim and lens.
- 47 Galvanized steel plaster frame for wet plaster ceiling.
- 49 Extra circuit DCB socket (150 watt max.) Must not be energized simultaneously with main source.
- 58 277 volt 60 Hz. ballast instead.
- 65 Relay and DCB socket. (150 watt max.) With fixture energized, provides immediate light during HID outage. Also see Option -66.
- 66 Time delay relay and DCB socket. (150 watt max.) When energized, provides light until HID reaches 70% output.
- 94 Custom color trim frame. Consult factory.
- 97 Other voltage ballast. Consult factory.
- 99 Special modification. Consult factory.
- LP With lamp. Specify source, color temperature, and clear or coated (3200°K standard for MH.) Consult factory for other color temperatures.
- LS With tungsten halogen standby lamp (150 watt max.) Use only with Options -49, -65 or -66.

SUBMITTAL DATA

APPROVAL STAMP

JOB NAME _____

TYPE _____

WATTAGE _____ VOLTAGE _____

CATALOG NUMBER _____

LIMITED WARRANTY: CATALOGUED KIRLIN FIXTURES ARE WARRANTED FREE OF DEFECTS IN WORKMANSHIP OR MATERIAL FOR THREE YEARS FROM DATE OF PURCHASE. INSTALLED TO N.E.C., IN NORMAL USE. Manufacturer at his option will replace or repair such fixture or refund the purchase price on presentation of proof of purchase and defective fixture at the offices of manufacturer within three years of original shipment. Liability of manufacturer is limited to the foregoing, and manufacturer shall not be liable for any other damages, direct or indirect, sustained or suffered by purchaser or any person. This warranty is supplied to the buyer in place of all other warranties, expressed or implied. Seller does not warrant as to merchantability or fitness for a particular use, nor will any oral statement constitute a warranty or amend this specific warranty. Abnormal use, abuse of the fixture, improper installation, or modification of the fixture without prior written authorization from the manufacturer will render the warranty void.