

FOR POURED CONCRETE CEILINGS

SPREAD DISTRIBUTION "K" LENS
68% EFFICIENCY

12"

Features

Lamp

- 100 watt coated E/ED-17 universal.
- See Option -43 for optional lower wattage.
- Option -23 for Mercury, Option -24 for HPS.

Socket

- Horizontal. Pulse rated medium base.
- Glazed porcelain.
- Nickel-plated brass screw shell. Silicone leads.

Reflector

- GlasSurfaced™ multi-faceted specular aluminum.

Trim Assembly

- UV absorbing tempered prismatic shock resisting spread Kirlin lens. Fully gasketed.
- Rust-free polished nickel stainless door (304-L) and captive thumb screw. Slender with concealed hinges for fast relamping.
- Attractively beveled cast aluminum frame tooled to ensure close fit with door. White acrylic finish. Fully gasketed.
- Tamper-proof vandal resistant door screw available (Option -26).
- UV absorbing tempered low brightness prismatic flat glass (Option -15) or Drop Holophane tempered lens available (Option -DH). Also see Options:

Ballast Assembly

- Core and coil HPF 180°C ballast.
- Premium Class H high reactance with 5:12 regulation.

- Capacitor and ignitor supplied.
- 120 volt standard or see optional voltages.
- Cool, quiet, long-life. Silicone leads.
- Visible and easily serviced.

Fuse

- Fused primary. Renewable. Aids servicing.

Housing

- 16 GA. galvanized steel; red oxide rustproof primer coat with black enamel finish.
- Entire luminaire serviced through removable trim assembly.

Outlet Box

- Prewired 14 GA (NEC) galvanized steel, UL listed.
- Removable insulated cover.
- 1/2" and 3/4" knockouts.

Installation

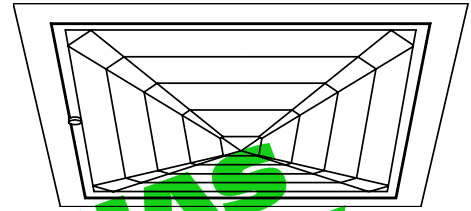
- Recesses indoor or outdoor in poured concrete ceilings.

UL, C-UL (Canada) Listings

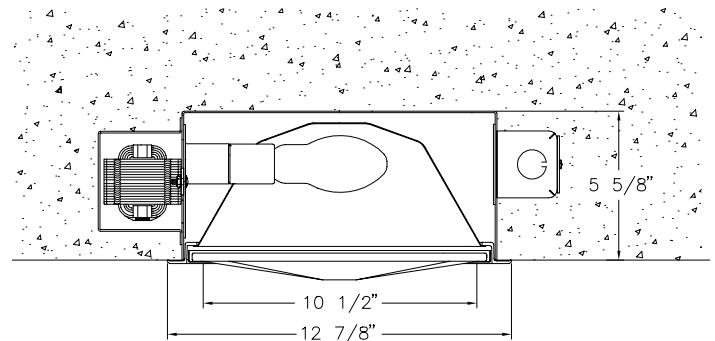
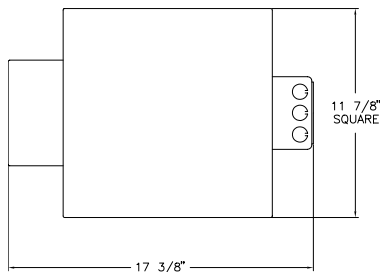
- For use in poured concrete.
- Through-branch circuit conductors (6 #12).

Three Year Limited Warranty

- Complete standard fixture.



THIS FIXTURE HAS BEEN REPLACED BY PARTS-11102. SOME DESIGN FEATURES OR CHANGED



THE KIRLIN COMPANY

3401 EAST JEFFERSON AVENUE ■ DETROIT, MICHIGAN 48207-4232
(313) 259-6400 ■ FAX: (313) 259-9409 OR (313) 259-3121

**HIGH EFFICIENCY
METAL HALIDE LIGHTING**

LAMP WATTAGE
E/ED-17 100

RS51295

RS51295

RECESSED SQUARE: 100 WATT MEDIUM BASE METAL HALIDE



Performance at a Glance - Installed Fixture

RS51295

Ft.	FC	DIA.
6	74.2	5.2
8	41.7	7.0
10	26.7	8.7
12	18.5	10.5
14	14.6	12.2
16	10.4	14.0

RS51295-15

Ft.	FC	DIA.
6	90.3	5.2
8	50.8	7.0
10	32.5	8.7
12	22.6	10.4
14	16.6	12.2
16	12.7	13.9

RS51295-DH

Ft.	FC	DIA.
6	98.6	4.6
8	55.4	6.1
10	35.5	7.6
12	24.6	9.2
14	18.1	10.7
16	13.9	12.2

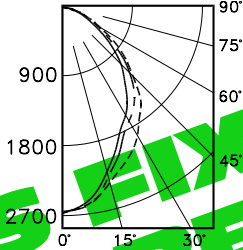
Cone of Light Key
Ft. Distance to surface from fixture (mounting height)
FC Footcandles
DIA. Diameter (in feet) of the circle of light when FC value is half the FC at nadir.

SINGLE FIXTURE

Photometric Data - Installed Fixture

RS51295

— 0° S/MH 0.9
 - - - 90° S/MH 1.1
 - - - 180° S/MH 1.0
 EFF. = 67.7%



CANDLEPOWER DISTRIBUTION

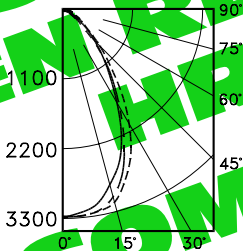
	0.0	45.0	90.0	135.0	180.0
0	2670	2670	2670	2670	2670
5	2598	2612	2645	2674	2689
10	2203	2255	2366	2345	2277
15	1785	1764	2092	1876	1852
20	1434	1328	1795	1439	1587
25	1043	917	1352	1013	1191
30	601	554	849	625	691
35	289	300	426	333	317
40	126	130	175	140	126
45	32	34	39	35	31
50	11	8	9	7	8

COEFFICIENTS OF UTILIZATION

RF	20						
	70	50	30	10	50	30	10
1	75	72	70	67	68	66	64
2	69	64	60	57	61	58	55
3	64	57	53	49	55	51	48
4	59	52	46	42	49	45	42
5	55	47	41	37	45	40	37
6	51	43	37	33	41	36	33
7	48	39	34	30	38	33	30
8	44	36	31	27	35	30	27
9	42	33	28	25	32	28	24
10	39	31	26	23	30	25	22

RS51295-15

— 0° S/MH 0.9
 - - - 90° S/MH 1.0
 - - - 180° S/MH 1.0
 EFF. = 65.5%

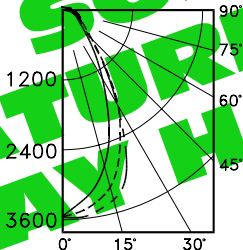


	0.0	45.0	90.0	135.0	180.0
0	3249	3249	3249	3249	3249
5	3187	3216	3276	3281	3250
10	2838	3027	3139	3211	3016
15	2108	2427	2520	2628	2352
20	1286	1570	1635	1696	1437
25	695	823	817	847	745
30	354	338	377	374	340
35	158	181	191	187	158
40	101	118	111	116	100
45	35	44	33	43	32
50	0	0	0	0	0

RF	20						
	70	50	30	10	50	30	10
1	73	71	69	67	67	65	64
2	68	64	61	58	61	58	56
3	64	58	54	51	56	52	50
4	60	53	49	45	51	47	44
5	56	48	44	41	47	43	40
6	52	45	40	37	44	40	37
7	49	42	37	34	40	36	33
8	46	39	34	31	38	34	31
9	44	36	32	29	35	31	28
10	41	34	29	26	33	29	26

RS51295-DH

— 0° S/MH 0.8
 - - - 90° S/MH 0.9
 - - - 180° S/MH 0.9
 EFF. = 65.8%



	0.0	45.0	90.0	135.0	180.0
0	3548	3548	3548	3548	3548
5	3417	3430	3516	3570	3582
10	2853	3027	3228	3361	3382
15	1895	2274	2383	2795	2452
20	977	1391	1341	1663	1218
25	447	573	586	649	476
30	289	343	359	360	289
35	217	260	263	270	212
40	155	187	182	197	154
45	95	118	110	129	98
50	61	83	75	89	66

RF	20						
	70	50	30	10	50	30	10
1	72	70	67	65	65	63	62
2	67	63	59	56	59	56	54
3	63	57	53	49	54	50	48
4	59	52	48	44	50	46	43
5	55	48	43	40	46	42	39
6	52	44	40	36	43	38	35
7	49	41	36	33	40	36	33
8	46	38	34	30	37	33	30
9	43	36	31	28	35	31	28
10	41	34	29	26	33	29	26

Options

- 15 UV absorbing tempered low brightness prismatic flat C#73 glass instead.
- 19 Offset lamp position instead.
- 23 Mercury ballast instead. 100ME standard or see Option -43. Specify voltage.
- 24 HPS ballast instead. 100ME standard or see Option -43. Specify voltage.
- 26 Tamper-proof recessed hex, center pin, button door screw with key. One key provided/ten fixtures. See also -27.
- 27 Clear 1/4" tempered glass beneath prismatic flat lens for vandal resistance. Also see Option -26.
- 35 Silver enameled frame finish instead.

- 36 Gold enameled frame finish instead.
- 37 Bronze enameled frame finish instead.
- 38 Black enameled frame finish instead.
- 43 Lower wattage medium base - specify voltage and wattage for: Metal Halide: 70, 50; Mercury: 75, 50; HPS: 70, 50, 35.
- 49 Extra circuit DCB socket. (100 watt max.) Must not be energized simultaneously with main source.
- 58 277 volt 60 Hz. ballast instead.
- 65 Relay and DCB socket. (100 watt max.) With fixture energized, provides immediate light during HID outage. Also see Option -66.
- 66 Time delay relay and DCB socket. (100

- watt max.) When energized, provides light until HID reaches 70% output.
- 94 Custom color frame. Consult factory.
- 99 Special modification. Consult factory.
- DG Drop Guard with prismatic glass; protects against thrown objects. Galvanized steel. White acrylic finish with tempered flat prismatic glass.
- DH Drop Holophane tempered lens instead.
- LP With lamp. Specify source, wattage, color temperature, and clear or coated (3200°K standard for 100MH). Consult factory for other color temperatures.
- LS With tungsten halogen standby lamp. (100 watt max.) Use only with Options -49, -65 or -66.

LIMITED WARRANTY: CATALOGED KIRLIN FIXTURES ARE WARRANTED FREE OF DEFECTS IN WORKMANSHIP OR MATERIAL FOR THREE YEARS FROM DATE OF PURCHASE. INSTALLATION TO N.E.C. IS NORMAL. USE: Manufacturer at his option will replace or repair such fixture or refund the purchase price on presentation of proof of purchase and defective fixture at the offices of manufacturer, within three years of original shipment. Liability of manufacturer is limited to the foregoing, and manufacturer shall not be liable for any other damages, direct or indirect, sustained or suffered by the purchaser or any person. This warranty is supplied to the buyer in place of all other warranties, expressed or implied. Seller does not warrant as to merchantability or fitness for a particular use, nor will any oral statement constitute a warranty or amend this specific warranty. Abnormal use, abuse of the fixture, improper installation, or repair, or modification of the fixture without prior written authorization from the manufacturer will render the warranty void.

SUBMITTAL DATA

JOB NAME _____

TYPE _____

WATTAGE _____ VOLTAGE _____

CATALOG NUMBER _____

APPROVAL STAMP