

Type IC Recessed Square K-Lens

Features

Lamp / Socket

- Designed for: Horizontal 100 watt (max.) A-19 inside frosted incandescent lamp (by others).
- Dimmable (controls by others).
- Glazed porcelain medium base socket.

Reflector

- GlasSurfaced™ multi-faceted specular aluminum. Highly efficient.

Trim Assembly

- Tempered prismatic shock-resisting spread Kirlin lens. See Options for other lens / trim.
- Rustfree polished nickel stainless door (304-L) and captive thumb screw. Slender with concealed hinges for fast relamping.
- Attractively beveled cast aluminum frame tooled to ensure close fit with door. White acrylic finish.
- Tamper-proof vandal resistant door screw available. (See Option -26) Also see Options -13 and -27.

Housing

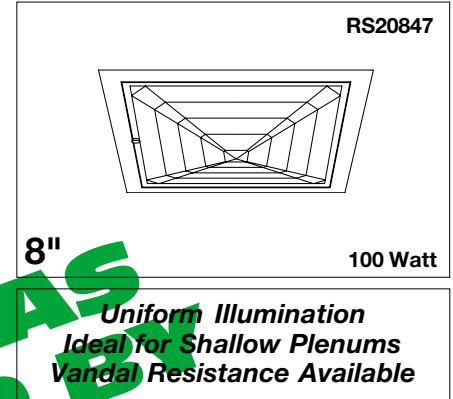
- Acrylic enameled 100% aluminum.
- Rustproof: Exceeds 1000 hour ASTM 5% salt spray test.
- Cool: Dissipates heat across entire surface area.
- Entire luminaire visible and serviceable from below through hinged door.

Outlet Box

- Prewired 14GA (NEC) galvanized steel. UL listed. With removable insulated cover.
- 1/2" and 3/4" knockouts.

Installation

- 27" galvanized hanger bars supplied (2).
 - Fully adjustable universal galvanized mounting brackets supplied (2). Accepts 3/4" or 1-1/4" lathers channel or 1/2" T.S. conduit.
 - Recesses indoor or outdoor in covered ceilings. For wet plaster, see Option -47.
- UL, C-UL (Canada) Listings**
- Wet, damp or dry locations, covered ceilings.

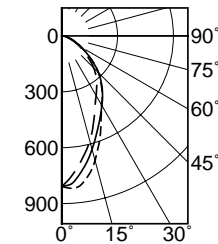
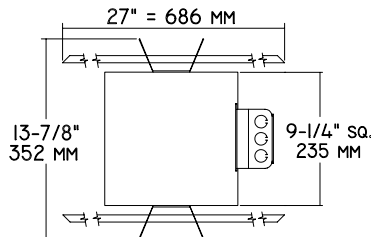
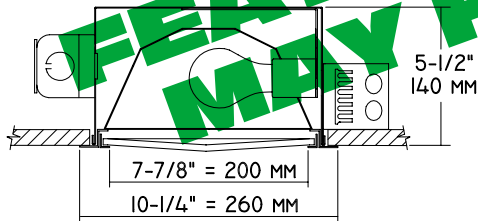


8" 100 Watt
Uniform Illumination
Ideal for Shallow Plenums
Vandal Resistance Available

- Through-branch circuit conductors (6 #12 AWG 90°C).
 - Type IC - Approved for direct contact with insulation.
- Three Year Limited Warranty**
- Complete standard fixture.
- Thermal Protection (Per Current NEC)**
- Thermal protector included which provides automatic cut-off if rated wattage is exceeded.

Performance at a Glance

RS20847



Cone of Light*		
Ft.	FC	Dia.
6	22.4	4.7
8	12.6	6.3
10	8.1	7.9
12	5.6	9.5
14	4.1	11.0
16	3.2	12.6

--- 0° S/MH 0.9
 ——— 90° S/MH 0.8
 - - - 180° S/MH 0.7

Cone of Light Key

- Ft.** Distance from fixture
- FC** Footcandles (average)
- Dia.** Circle of light at 50% of FC

* Dia. (in ft.) shown is where FC value is half the FC at nadir.

THE KIRLIN COMPANY

3401 EAST JEFFERSON AVENUE • DETROIT, MICHIGAN 48207-4232
 (313) 259-6400 • Fax: (313) 259-9409 OR (313) 259-3121

NEW MILLENNIUM

TUNGSTEN HALOGEN and INCANDESCENT LIGHTING

LAMP

A-19

MAXIMUM WATTAGE

100

CATALOG NUMBER

RS20847

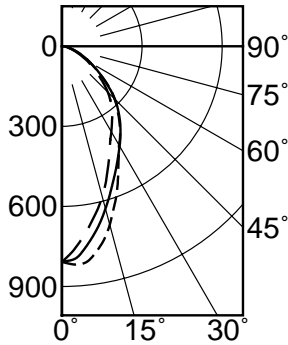
THE KIRLIN COMPANY RESERVES THE RIGHT TO CHANGE, WITHOUT NOTICE, DETAILS OR SPECIFICATIONS IN PRODUCT DESIGN.

Alzak® is a registered trademark of ALCOA.

Detailed Photometry - Installed Fixture

FROM I.T.L. (BOULDER, CO) RS20847: TEST # 47021
RS20847-15: TEST # 47020

RS20847 100W



--- 0° S/MH 0.9
— 90° S/MH 0.8
- - - 180° S/MH 0.7

EFFICIENCY = 62.6%

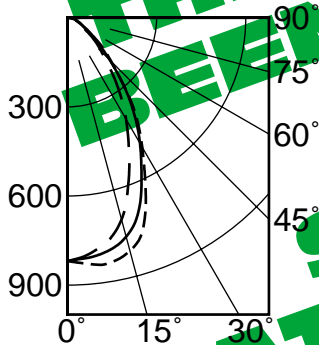
CANDLEPOWER DISTRIBUTION

	0.0	45.0	90.0	135.0	180.0
0	808	808	808	808	808
5	819	813	783	757	739
15	692	658	630	562	583
25	500	459	487	383	424
35	379	331	382	287	328
45	279	232	280	199	243
55	165	144	167	129	145
65	88	80	88	72	75
75	39	38	35	34	31
85	10	10	8	9	8
90	3	2	2	2	2

COEFFICIENTS OF UTILIZATION

RF	20						
	80			50			
RC	70	50	30	10	50	30	10
RW	70	50	30	10	50	30	10
1	69	67	65	63	63	61	60
2	64	60	56	53	57	54	51
3	59	54	50	46	51	48	45
4	55	49	44	40	46	43	40
5	51	44	39	36	42	38	35
6	48	41	36	32	39	35	32
7	45	37	33	29	36	32	29
8	42	35	30	27	33	29	26
9	40	32	27	24	31	27	24
10	37	30	25	22	29	25	22

RS20847-15 100W



--- 0° S/MH 1.0
— 90° S/MH 1.0
- - - 180° S/MH 0.9

EFFICIENCY = 66.2%

CANDLEPOWER DISTRIBUTION

	0.0	45.0	90.0	135.0	180.0
0	819	819	819	819	819
5	832	829	811	808	800
15	812	805	763	737	703
25	621	692	590	590	490
35	402	453	389	376	305
45	206	235	202	188	162
55	99	110	100	90	79
65	51	55	47	48	45
75	27	30	27	27	25
85	8	8	8	8	8
90	0	0	0	0	0

COEFFICIENTS OF UTILIZATION

RF	20						
	80			50			
RC	70	50	30	10	50	30	10
RW	70	50	30	10	50	30	10
1	74	71	69	67	67	66	64
2	69	65	61	58	61	59	56
3	64	59	55	51	56	53	50
4	60	54	49	46	51	48	45
5	56	49	45	41	47	43	40
6	53	45	41	37	44	40	37
7	50	42	37	34	41	37	34
8	47	39	34	31	38	34	31
9	44	36	32	29	35	31	29
10	42	34	30	27	33	29	26

Options

- 13 Clear 1/8" flat polycarbonate beneath prismatic flat C#73 lens for vandal resistance. Also see Option -26.
- 14 Dropped Anopal glass. 1-1/4" deep. Not enameled.
- 15 Tempered prismatic flat C#73 lens instead.
- 18 Anopal flat glass. Not enameled. Diffusing.
- 20 White 1/2" cube eggcrate aluminum louver instead of lens.
- 26 Tamper-proof recessed hex, center pin, button door screw with key. One key per ten fixtures. Also see Options -13 and -27.
- 27 Clear 1/4" tempered glass beneath prismatic C#73 flat lens, for vandal resistance. Also see Option -26.
- 35 Silver enameled frame finish instead.
- 36 Gold enameled frame finish instead.
- 37 Dark Bronze enameled frame finish instead.
- 38 Black enameled frame finish instead.
- 45 Gasket between trim and ceiling.
- 46 Gasket between trim and lens.
- 47 Wet plaster frame.
- 94 Custom color frame finish. Consult factory.
- 99 Special modification. Consult factory.
- DH Drop Holophane tempered lens instead.

SUBMITTAL DATA

JOB NAME _____
TYPE _____
WATTAGE _____ VOLTAGE _____
CATALOG NUMBER _____

APPROVAL STAMP

LIMITED WARRANTY: CATALOGUED KIRLIN FIXTURES ARE WARRANTED FREE OF DEFECTS IN WORKMANSHIP OR MATERIAL FOR THREE YEARS FROM DATE OF PURCHASE. INSTALLATION, E.C., IN NORMAL USE. Manufacturer at his option will replace or repair such fixture or refund the purchase price on presentation of proof of purchase and defective fixture at the offices of manufacturer within the years of original shipment. Liability of manufacturer is limited to the foregoing, and manufacturer shall not be liable for any other damages, direct or indirect, sustained or suffered by purchaser or any person. This warranty is supplied for the fixture in place of all other warranties, expressed or implied. Seller does not warrant as to merchantability or fitness for a particular use, nor liability of statement, constitute a warranty or amend this specific warranty. Abnormal use, abuse of fixture, improper installation, or repair, or modification of the fixture without prior written authorization from the manufacturer will void the warranty only.