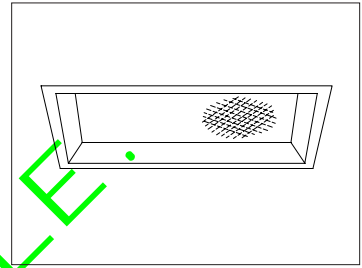


CATALOG #	TYPE	
JOB NAME	WATTAGE	VOLTAGE

10" T4Q 2-250 WATT MAXIMUM

RS01021

## Medical Exam Light: Two Lamps Prevent Loss of Illumination During Procedures



Recessed  
Rectangle  
Lensed  
Exam Light

### Features

#### Lamp Assembly

- Designed for:
  - Two vertical 250 watt (max.) T4Q 2000 hour frosted tungsten halogen lamps (by others).
- Lower lamp seal operating temperature prolongs lamp life as compared to 500 watt T4Q lamps.
- Two lamps prevent total loss of illumination due to lamp burnout during procedures.
- 3000°K color temperature and 100 CRI for accurate tissue rendering and patient evaluation.
- Double contact bayonet base (DCB) sockets (2) are mounted to precision machined aluminum heat sinks (2) to reduce lamp and socket heat, providing maximum lamp and component life.
- Additional heavy gauge die-formed aluminum heat sink bracket conducts heat efficiently away from lamp and socket area.
- Dimmable (controls by others).

#### Reflectors

- Two parabolic specular Alzak® reflectors focus light precisely, providing maximum usable lumens to the exam site.

#### Trim Assembly

- Self-flanged tapered smooth aluminum flare trim with white finish.
- Torsion springs retain snug fit to ceiling.
- Sturdy extruded aluminum construction.

- Smooth surface prevents contaminant or dust build-up. Easily cleaned.
- Regressed safety tempered prismatic C#7/3 flat glass. Reduces glare to the patient by eliminating direct view of lamps and provides protective lamp shield.
- Optional Teflon coated lens available.

#### Housing

- Cool, acrylic enameled aluminum.
- Dissipates heat across entire surface area. Ventilated for convection cooling.
- Rustproof: Exceeds 1000 hour ASTM 5% salt spray test.
- Entire luminaire serviced through aperture.
- Built-in plaster frame.

#### Outlet Box

- Prewired 14 GA (NEC) galvanized steel, UL listed.
- 1/2" and 3/4" knockouts.

#### Installation

- 27" galvanized hanger bars with adjustable mounting brackets supplied.
- Lightweight. Recesses in any ceiling type.

#### UL, C-UL (Canada) Listings

- Wet, damp or dry locations, covered ceilings.
- Through-branch circuit conductors (6 #12). Supply wire rating: 90°C.

#### Three Year Limited Warranty

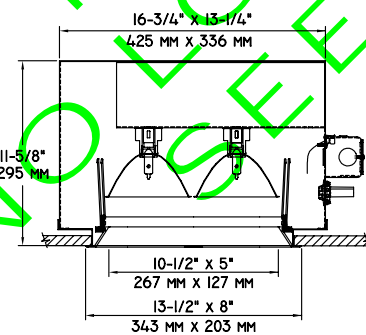
- Complete standard fixture.

#### Thermal Protection

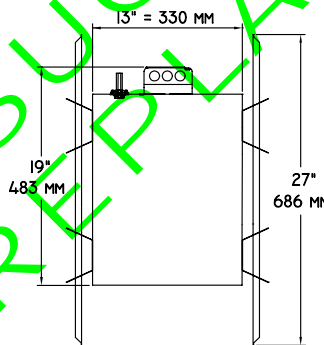
- Per current NEC.

### Performance at a Glance

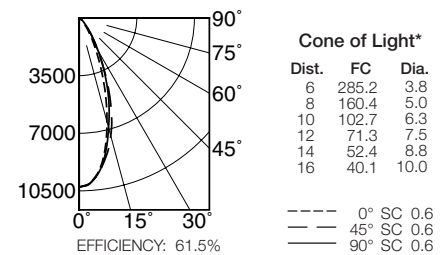
RS01021



Ceiling Cut-out  
12-5/8" x 7 1/4"



KIRLIN RECOMMENDS T4 HALOGEN LAMPS BY USHIO, GE OR SYLVANIA ONLY



#### Cone of Light Key

- Ft. Distance from fixture
- FC Footcandles at nadir (0°)
- Dia. Circle of light at 50% of FC

\* Dia. (in ft.) shown is where FC value is half the FC at nadir.

## THE KIRLIN COMPANY

3401 EAST JEFFERSON AVENUE • DETROIT, MICHIGAN 48207-4232  
(313) 259-6400 • Fax: (313) 259-9409 OR (313) 259-3121 • www.kirlinlighting.com

HEALTHCARE FACILITY  
& PATIENT LIGHTING

MAXIMUM WATTAGE

2 T4Q 250

CATALOG NUMBER

RS01021

DUE TO OUR CONTINUING EFFORT TO IMPROVE PRODUCTS, TECHNICAL INFORMATION IS SUBJECT TO CHANGE WITHOUT NOTICE.

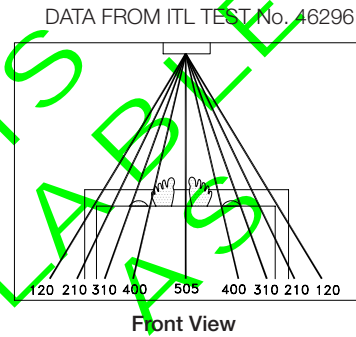
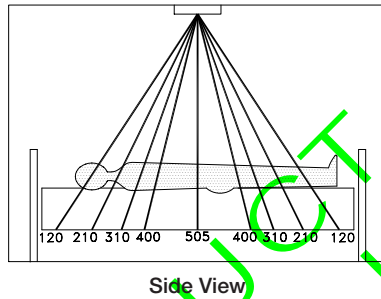
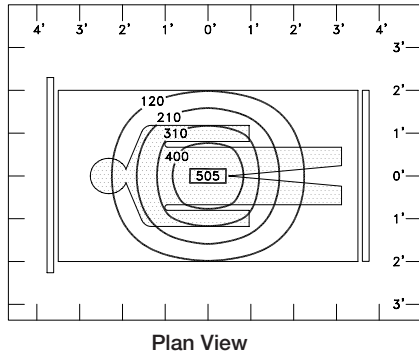
Alzak® is a registered trademark of ALCOA.

**Footcandle Distribution Data**

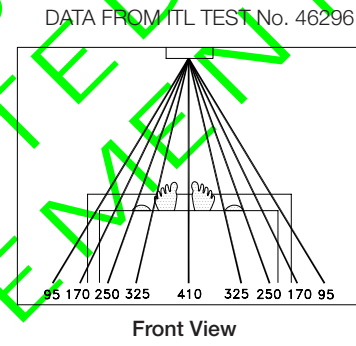
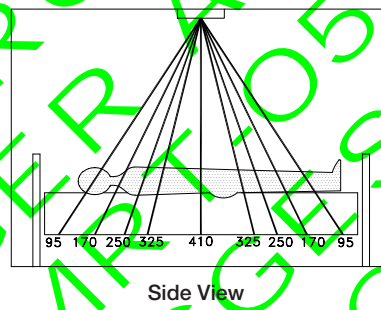
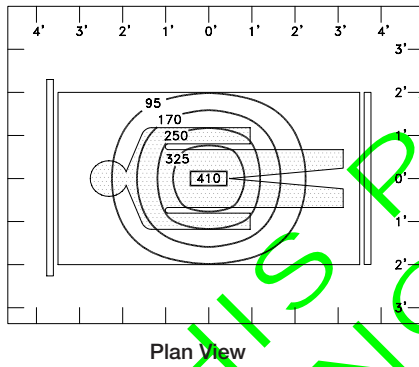
Photometry from I.T.L., Boulder, CO

- Notes:
1. All lighting levels are expressed in average footcandles, with distances expressed in feet, as measured at the work plane (3'6").
  2. The work plane (3'6") is defined as: examination bed height, plus patient body depth.
  3. Fixture is centered over examination bed with its longest axis parallel to the length of the bed.

**Ceiling Height: 8' • Work Plane: 3'6"**



**Ceiling Height: 8'6" • Work Plane: 3'6"**



**Options**

- 45 Gasket between trim flange and ceiling. (Minimizes dust streaks on ceiling.)
- 46 Gasket between lens and trim. Minimizes contaminant and dust entry.
- 94 Custom color flare trim. Consult factory.
- 97 For other input supply voltages, consult factory.
- 99 Special modification. Consult factory.
- LP With lamps. Two 250 watt frosted T-4Q DCB base tungsten halogen. 2000 hour life rating.
- TC Teflon coated safety lens; retains glass particles in event of breakage. Consult factory.

**SUBMITTAL DATA**

**APPROVAL STAMP**

JOB NAME \_\_\_\_\_  
 TYPE \_\_\_\_\_  
 WATTAGE \_\_\_\_\_ VOLTAGE \_\_\_\_\_  
 CATALOG NUMBER \_\_\_\_\_

LIMITED WARRANTY: CATALOGED KIRLIN FIXTURES ARE WARRANTED FREE OF DEFECTS IN WORKMANSHIP OR MATERIAL FOR THREE YEARS FROM DATE OF PURCHASE. INSTALLED TO N.E.C. IN NORMAL USE. Manufacturer at the option will repair or replace each fixture or refund the purchase price on presentation of proof of purchase and defective fixture at the office of manufacturer within three years of original shipment. Liability of manufacturer is limited to the foregoing, and manufacturer shall not be liable for any other damages, direct or indirect, sustained or suffered by purchaser or any person. This warranty is supplied in the box in place of all other warranties, expressed or implied. Seller does not warrant as to merchantability or fitness for a particular use, nor will any oral statement constitute a warranty or amend this specific warranty. Abnormal use, abuse of the fixture, improper installation, or repair, or modification of the fixture without prior written authorization from the manufacturer will render the warranty void.