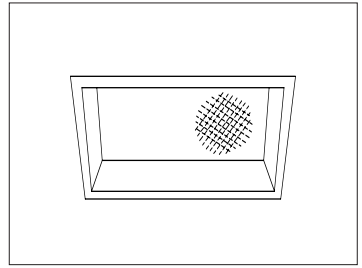


CATALOG #	TYPE	
JOB NAME	WATTAGE	VOLTAGE

8" x 8" 1 Triple 42 WATT MAXIMUM

RS00863

## Medical / Surgical Patient Rooms: General Illumination • Type IC



### Features

#### Lamp

- Designed for one 4-pin triple tube amalgam or quad compact fluorescent lamp: 42/32/26W triple or 26W quad.

#### Ballast: Multi-Wattage/Voltage

- Installed electronic high power factor, thermally protected. For lower wattages see Option -43. For dimming see Option -39.
- 120-277 multi-volt; 50-60 Hz. THD <10%.
- ClickQuick connectors for fast servicing.
- Cold weather -22°F (-30°C).
- End of lamp life protection circuit. RFI filter.
- Internally fused. Also see Option -FS.

#### Reflector

- High efficiency specular aluminum.

#### Trim Assembly

- Regressed smooth white seamless tapered aluminum flare trim.
- Tempered prismatic low brightness, spread distribution C#73 lens.
- Smooth surface prevents contaminant or dust build-up. Easily cleaned.
- Torsion springs retain snug fit to ceiling.

#### Aluminum Housing

- Acrylic enameled. Rustproof: Exceeds 1000 hour ASTM 5% salt spray test.
- Lightweight: Minimizes ceiling load.
- Cool operation: Extends component life.
- Entire luminaire serviced through trim.
- Built-in plaster frame.

#### Outlet Box

- UL listed, prewired 14 GA (NEC) galvanized steel with removable insulated cover.
- 1/2" and 3/4" knockouts.

#### Installation

- 27" galvanized hanger bars with adjustable mounting brackets (2) supplied.
- Recesses in any ceiling type.
- UL C-UL (Canada) Listings
- Wet, damp or dry locations, covered ceilings.
- Type IC. Approved for direct contact with insulation.
- Through-branch circuit conductors (up to 6 #12). Supply wire rating: 90°C.

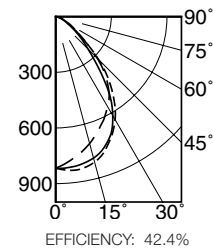
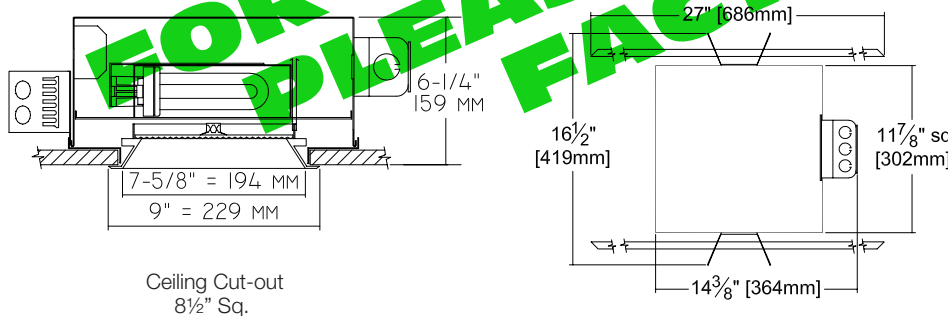
#### Three Year Limited Warranty

- Complete standard fixture and ballast.

Recessed Square  
Regressed  
Lensed Shallow  
Type IC

### Performance at a Glance

RS00863



#### Cone of Light\*

Dist.	FC	Dia.
6	22.7	6.4
8	12.8	8.6
10	8.2	10.7
12	5.7	12.9
14	4.2	15.0
16	3.2	17.1

--- 0° SC 1.2  
 --- 90° SC 1.1  
 --- 180° SC 1.0

#### Cone of Light Key

Ft. Distance from fixture  
 FC Footcandles at nadir (0°)  
 Dia. Circle of light at 50% of FC

\* Dia. (in ft.) shown is where FC value is half the FC at nadir.

## THE KIRLIN COMPANY

3401 EAST JEFFERSON AVENUE • DETROIT, MICHIGAN 48207-4232  
 (313) 259-6400 • Fax: (313) 259-9409 OR (313) 259-3121 • www.kirlinlighting.com

HEALTHCARE FACILITY  
& PATIENT LIGHTING

MAXIMUM WATTAGE

1 Triple 42

CATALOG NUMBER

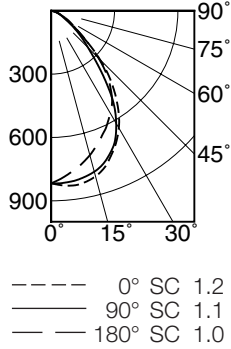
RS00863

DUE TO OUR CONTINUING EFFORT TO IMPROVE PRODUCTS, TECHNICAL INFORMATION IS SUBJECT TO CHANGE WITHOUT NOTICE.

Detailed Photometry - Installed Fixture

Photometry from I.T.L., Boulder, CO

RS00863 (1 Triple 42)



EFFICIENCY : 42.4%

CANDLEPOWER DISTRIBUTION					
	0.0	45.0	90.0	135.0	180.0
0	817	817	817	817	817
5	831	829	816	798	785
15	812	814	789	734	708
25	712	733	702	644	613
35	549	560	502	491	502
45	327	319	247	287	318
55	135	147	116	132	132
65	60	58	51	53	60
75	21	20	23	16	19
85	0	0	0	0	0
90	0	0	0	0	0

COEFFICIENTS OF UTILIZATION								
RF	20							
	80			50				
RC	70	50	30	10	50	30	10	
RW	1	47	46	45	43	43	42	41
	2	44	42	39	38	39	38	36
	3	41	38	35	33	36	34	32
	4	38	34	31	29	33	30	28
	5	36	31	28	26	30	27	25
	6	33	29	26	23	28	25	23
	7	31	26	23	21	26	23	21
	8	29	24	21	19	24	21	19
	9	28	23	20	18	22	19	17
	10	26	21	18	16	21	18	16

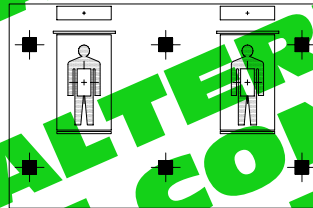
ITL TEST #45276

Patient Room Lighting Requirements are Surpassed by Kirlin

Recommended Standards for Patient Room Lighting by  
IESNA "Lighting for Hospital and Healthcare Facilities": General Illumination 5-10 fc @ Work-plane 30" AFF

General Illumination  
Avg. fc at Work-plane @ 30" AFF  
(6 luminaires)

RS00863 20 fc  
1-42W Triple tube



15' x 23' x 9'H room  
size represented.

Options

Ballast, Wattage and Voltage

- 39 Installed electronic dimming ballast. Not Type IC listed. Indoor use. 10°C (50°F) minimum start. Specify wattage, voltage and brand.
- 43 Lower wattage: for 4-pin, 18W triple or 18-13W quad. Specify wattage.
- 97 Specify other voltage. Consult factory.
- 98 347 volt, 50/60 Hz. input. Consult factory.

Emergency Ballast - Specify Voltage<sup>1</sup>

Internal (factory installed) ballast, test switch and indicator light. Suitable for damp locations from 0° to 50°C (32° to 122°F) or with Cold Weather version (see -CE) -20° to 55°C (-4° to 131°F).

- 73 Internal EM ballast. Specify voltage.
- CE Internal cold weather (-20° to 55°C) EM ballast. Specify voltage.
- HE<sup>1</sup> Internal higher lumen (up to 1250) EM ballast. Specify voltage.

Lenses and Trims

- 13 Clear 1/8" flat polycarbonate beneath prismatic flat C#73 lens.
- 17 3/16" prismatic high strength acrylic instead.
- 18 Anopal flat glass. Not enameled. Diffusing.
- 20 Louver, aluminum, egg-crate. 1/2" cube. White.
- 21 White translucent flat poly instead.
- 44 Black OptiGroove regressed trim assembly instead; white self-flanged. With C#73 or add optional lens. Also see Option -94.

- 45 Gasket between trim and ceiling.
- 46 Gasket between lens and trim.
- 94 Custom color trim. Consult factory.
- TC Teflon safety coating for specified lens.

Other

- 99 Special modification. Consult factory.
- FS Additional in-line fuse.
- LE With 4-pin electronic lamp. 3500° standard. 82 CRI and 12,000 hour life. Specify wattage, style and color temperature.

<sup>1</sup> Visit [www.kirlinlighting.com](http://www.kirlinlighting.com) for most current performance / specifications.

SUBMITTAL DATA

APPROVAL STAMP

JOB NAME

TYPE

WATTAGE

VOLTAGE

CATALOG NUMBER

THIS FIXTURE IS NO LONGER AVAILABLE FOR AN ALTERNATIVE PLEASE CONSULT FACTORY

LIMITED WARRANTY: CATALOGED KIRLIN FIXTURES ARE WARRANTED FREE OF DEFECTS IN WORKMANSHIP OR MATERIAL FOR THREE YEARS FROM DATE OF PURCHASE. INSTALLATION TO N.E.C. (INDOOR USE). Manufacturer at the option will replace or repair each fixture or refund the purchase price on presentation of proof of purchase and defective fixture at the office of manufacturer within three years of original shipment. Liability of manufacturer is limited to the foregoing, and manufacturer shall not be liable for any other damages, direct or indirect, sustained or suffered by purchaser or any person. This warranty is supplied in the box in place of all other warranties, expressed or implied. Seller does not warrant as to merchantability or fitness for a particular use, nor will any oral statement constitute a warranty or amend this specific warranty. Abnormal use, abuse of the fixture, improper installation, or repair, or modification of the fixture without prior written authorization from the manufacturer will render the warranty void.