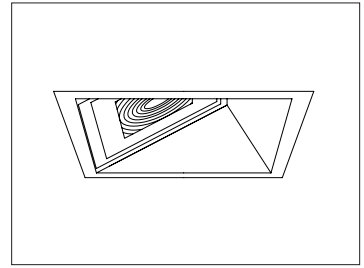


CATALOG #	TYPE	
JOB NAME	WATTAGE	VOLTAGE

6" 1 T4Q 250 WATT MAXIMUM

RS00620

Square Fresnel Lensed Recessed Asymmetric



Features

Lamp Assembly

- Designed for:
 - 1 vertical 250 watt (max.) frosted tungsten halogen T4Q.
- Double contact bayonet (DCB) base.
- Rated 2000 hour life; 100 CRI.
- 3000°K color temperature and 100 CRI for accurate tissue rendering and patient evaluation.
- Dimmable (controls by others).

Lampholder

- Double contact bayonet. Heat resistant.
- Lamp socket bracket designed as heat sink.

Reflector

- Ellipsoidal specular Alzak® aluminum for precise control.

Trim Assembly

- Cast aluminum trim frame with baked white enamel finish. Custom color available.
- Hinged formed steel door with captive thumbscrew. Baked white enamel finish.
- Clear tempered fresnel lens.
- Smooth door surface prevents contaminant or dust build-up. Easily cleaned.
- Recessed into housing at 30°.

Housing

- Cool, acrylic enameled aluminum.
- Dissipates heat across entire surface area. Ventilated for convection cooling.
- Rustproof: Exceeds 1000 hour ASTM 5% salt spray test.
- Entire luminaire serviced through hinged door and lens assembly.
- Built-in plaster frame.

Outlet Box

- Prewired 14 GA (NEC) galvanized steel, UL listed; with removable insulated cover.
- 1/2" and 3/4" knockouts.

Installation

- Lightweight. Recesses in any ceiling type.
- May be used for patient lighting from cornice above head or foot of bed.
- 27" galvanized hanger bars with adjustable mounting brackets supplied.

UL, C-UL (Canada) Listings

- Wet, damp or dry locations, covered ceilings.
- Through-branch circuit conductors (6 #12). Supply wire rating: 90°C.

Three Year Limited Warranty

- Complete standard fixture.

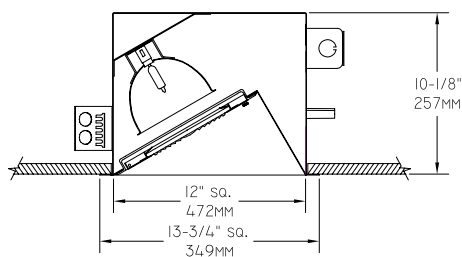
Thermal Protection

- Per current NEC.

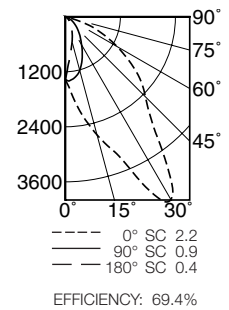
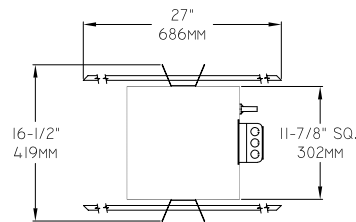
Recessed Square
Fresnel
Lensed
Asymmetric

Performance at a Glance

RS00620



Ceiling Cut-out
12 3/4" Sq.



KIRLIN RECOMMENDS
FROSTED T4 HALOGEN LAMPS
BY USHIO, GE OR SYLVANIA ONLY

THE KIRLIN COMPANY

3401 EAST JEFFERSON AVENUE • DETROIT, MICHIGAN 48207-4232
(313) 259-6400 • Fax: (313) 259-9409 OR (313) 259-3121 • www.kirlinlighting.com

HEALTHCARE FACILITY
& PATIENT LIGHTING

MAXIMUM WATTAGE

1 250 T4Q

CATALOG NUMBER

RS00620

DUE TO OUR CONTINUING EFFORT TO IMPROVE PRODUCTS, TECHNICAL INFORMATION IS SUBJECT TO CHANGE WITHOUT NOTICE.

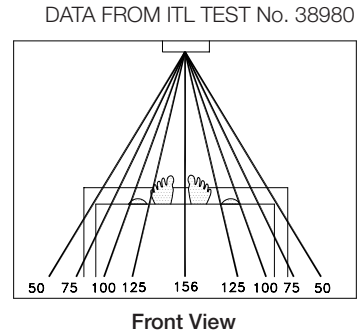
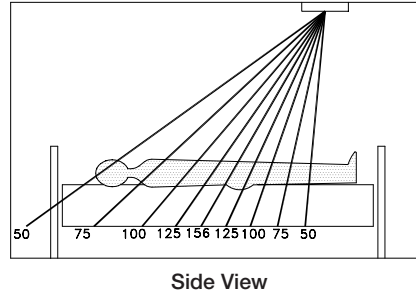
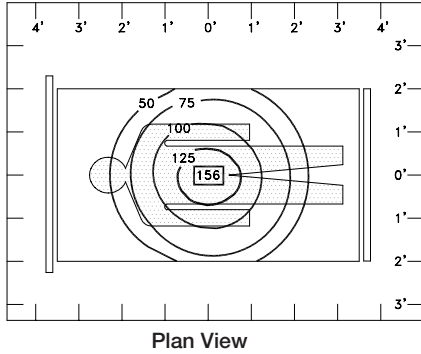
Alzak® is a registered trademark of ALCOA.

Footcandle Distribution Data

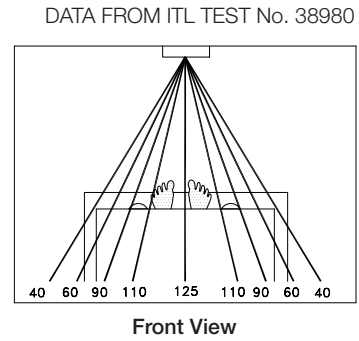
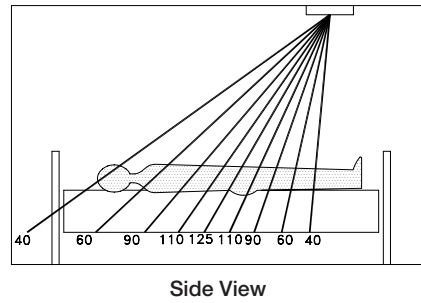
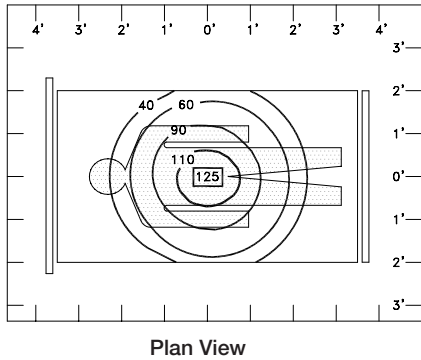
Photometry from I.T.L., Boulder, CO

- Notes:
1. All lighting levels are expressed in average footcandles, with distances expressed in feet, as measured at the work plane (3'6").
 2. The work plane (3'6") is defined as: examination bed height, plus patient body depth.
 3. Fixture is centered over examination bed with its longest axis parallel to the length of the bed.

Ceiling Height: 8' • Work Plane: 3'6"



Ceiling Height: 8'6" • Work Plane: 3'6"



Options

- 45 Gasket between trim frame and ceiling. (Minimizes dust streaks on ceiling.)
- 46 Gasket between lens and door. Minimizes contaminant and dust entry.
- 58 277/120 volt stepdown transformer for 277
- 277 volt line input, prewired into each fixture; with 277 volt thermal protector.
- 94 Custom color frame and door. Consult factory.
- 97 For other input supply voltages, consult factory.
- 99 Special modification. Consult factory.
- LP With tungsten halogen lamp. 250 watt frosted T4Q DCB base. 2000 hour life rating.
- TC Teflon coated safety lens; retains glass particles in event of breakage. Consult factory.

SUBMITTAL DATA

APPROVAL STAMP

JOB NAME _____
 TYPE _____
 WATTAGE _____ VOLTAGE _____
 CATALOG NUMBER _____

LIMITED WARRANTY: CATALOGED KIRLIN FIXTURES ARE WARRANTED FREE OF DEFECTS IN WORKMANSHIP OR MATERIAL FOR THREE YEARS FROM DATE OF PURCHASE. INSTALLED TO N.E.C. IN NORMAL USE. Manufacturer at its option will replace or repair each fixture or refund the purchase price on presentation of proof of purchase and defective fixture at the office of manufacturer within three years of original shipment. Liability of manufacturer is limited to the foregoing, and manufacturer shall not be liable for any other damages, direct or indirect, sustained or suffered by purchaser or any person. This warranty is supplied in place of all other warranties, expressed or implied. Seller does not warrant as to merchantability or fitness for a particular use, nor will any oral statement constitute a warranty or amend this specific warranty. Abnormal use, abuse of the fixture, improper installation, or repair, or modification of the fixture without prior written authorization from the manufacturer will render the warranty void.