

### Radial Turbo Louver Design

#### Features

##### Lamp

- Designed for:
  - 3 horizontal Quad 26 watt.
  - 2 pin G24d-3 base.
- See Option -43 for lower wattage.

##### Ballast

- Thermally protected, encased and potted standard.
- High power factor standard.
- Single circuit wiring. Optional two-circuit wiring. (See Options -48 and -84). Consult factory for three-circuit.
- 120 volt standard or see optional voltages.
- Dimming optional. (See Option -39)
- Electronic optional. (See Option -96)
- Visible and easily serviced in all ceilings.

##### Fuse

- Available as Option -FS (single) or -FD (double). Consult factory for options.

##### Reflector

- Clear lens, desiccant, specular Alzak aluminum reflector.
- Self-flanged low intensity specular Alzak aluminum 6" full parabolic louvers radiating from water core.
- White trim flange standard.

##### Housing

- Acrylic enameled aluminum.
- Cool: Dissipates heat across entire surface area. Ventilated.
- Rustproof: Exceeds 1000 hour ASTM 5% salt spray test.
- Entire luminaire serviced through removable reflector.
- Prewired outlet box; 14GA (NEC) galvanized steel. UL listed. Accessible through fixture opening.
- Built-in plaster frame.

##### Installation

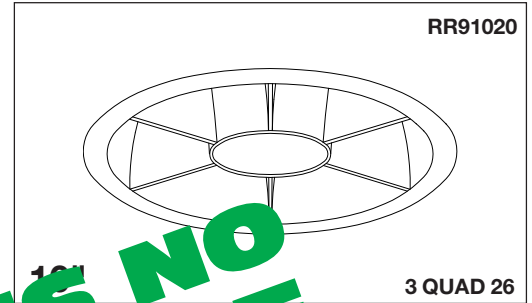
- 27" hanger bars (UL listed).
- Full range of universal mounting brackets supplied (2).
- Motor and socket hook and adjust as unit for easy installation.
- Passes for outdoor use (see Options).

##### UL (Canada) Listing

- Wet, damp and dry locations, covered hangings.
- Single-branch circuit configurations (6 #12).

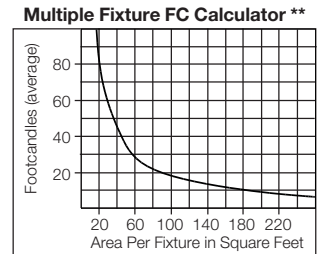
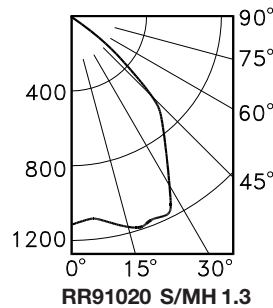
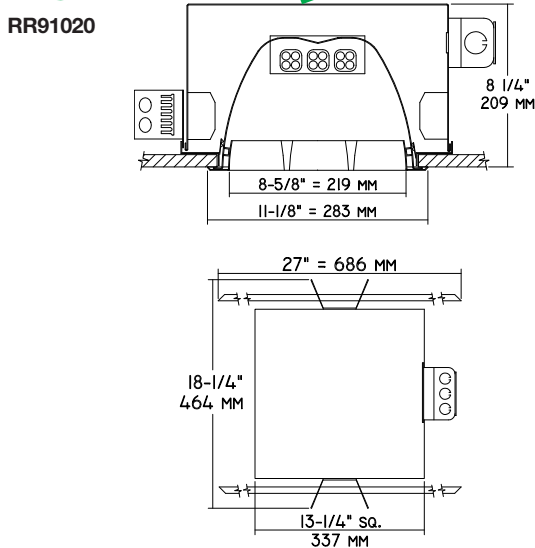
##### Three Year Limited Warranty

Standard fixture.



THIS FIXTURE IS NO LONGER AVAILABLE FOR REPLACEMENT. Consult factory for replacement.

#### Performance at a Glance



##### Cone of Light\*

Ft.	FC	Dia.
6	31.3	7.0
8	17.6	9.4
10	11.3	11.7
12	7.8	14.1
14	5.7	16.4
16	4.4	18.8

RR91020

##### Cone of Light Key

- Ft.** Distance from fixture
- FC** Footcandles (average)
- Dia.** Circle of light at 50% of FC

\* Dia. (in ft.) shown is where FC value is half the FC at nadir.  
 \*\* Based on RCR2; ceiling 70%; wall 50%; floor 20%. Use S/MH shown for each fixture.  
 Distribution curves and S/MH data shown are 90° to lamp axis.

## THE KIRLIN COMPANY

3401 EAST JEFFERSON AVENUE • DETROIT, MICHIGAN 48207-4232  
 (313) 259-6400 • Fax: (313) 259-9409 OR (313) 259-3121

**CENTURY SERIES**  
**ARCHITECTURAL**  
**COMPACT FLUORESCENT LIGHTING**

MAXIMUM WATTAGE

CATALOG NUMBER

**3 Quad 26**

**RR91020**

THE KIRLIN COMPANY RESERVES THE RIGHT TO CHANGE, WITHOUT NOTICE, DETAILS OR SPECIFICATIONS IN PRODUCT DESIGN.

Alzak® is a registered trademark of ALCOA.

**Detailed Photometry - Installed Fixture**

FROM I.T.L. (BOULDER, CO) TEST NUMBER 40204

**CANDLEPOWER DISTRIBUTION**

	0.0	45.0	90.0	135.0	180.0
0	1125	1125	1125	1125	1125
5	1085	1075	1097	1115	1140
15	942	1047	1176	1127	1079
25	843	1010	1154	1078	1004
35	744	861	826	844	772
45	519	541	561	499	481
55	202	174	117	125	133
65	8	7	0	0	6
75	4	4	0	5	4
85	2	4	0	4	4
90	0	0	0	0	0

**RR91020**

\*LER = 18.8  
•AEC = \$12.79



**THIS FIXTURE IS NO LONGER AVAILABLE FOR CONSULT FACTORY REPLACEMENT**

PERCENTS OF ILLUMINATION

FOOT COUNTS OF ILLUMINATION	0	50	30	50	30	10
1	41	39	38	37	36	36
2	33	32	34	33	34	32
3	26	33	31	29	31	28
4	33	30	27	26	29	25
5	31	27	25	23	26	23
6	29	25	22	21	24	20
7	27	23	20	19	22	18
8	25	21	19	17	21	17
9	24	20	17	15	19	15
10	23	18	16	14	18	14

\* LER = Luminaire Efficiency Rating  
LER = Luminaire Effic. x Total Lamp Lumens x Ballast Input Watts

• AEC = Annual Energy Cost per 1000 lumens (based on 3000 hours use @ \$0.08 KW/H).

**Options**

- 32 Trim extender. Broadens trim flange O.D. by 1" to cover larger ceiling opening.
- 39 Installed Q26 or Q18 (with Option -43) electronic dimming ballast. Consult factory for quantity and type required. Also see -LE, -WD.
- 43 Lower wattage: Specify 3Q18 or 3TT13.
- 45 Gasket above reflector flange. Stops dust streaks on ceiling.
- 48 Center lamp converted to nightlight. Standard TT13 or specify TT9 or TT7. For use with -84.
- 58 277 volt 60 Hz. ballast instead.
- 73 Internal emergency "Ni-Cad" battery pack concealed in housing. Controls one lamp. Switch and light unobtrusively located inside reflector. For indoor use.
- 74 Internal 2 lamp emergency "Ni-Cad" battery pack for use with 4-pin electronic lamps only. Use with Option -96.
- 79 Extension collar for up to 2" thick ceilings.
- 84 Fixture wired for two circuits (1-1 lamp plus 1-2 lamp). Consult factory for three circuit. See Options -48, -FD and -RD.
- 94 Custom color self-flanged turbo louver reflector assembly. Consult factory.
- 96 Regulating electronic high power factor 0°F single circuit Quad ballast instead. See Options -74, -84 and -LE. Consult factory for triple.
- 97 Other voltage ballast. Consult factory.
- 98 347 volt 60 Hz. ballast instead. Consult factory for dimming.
- 99 Special modification. Consult factory.
- FD Double Fused primary. One per ballast.
- Replaceable. Aids servicing. For use with Option -84. Consult factory for triple.
- FS Fused primary. One per fixture. Replaceable. Aids servicing.
- LE With 4-pin electronic lamps for use with Option -39, 74 or -96. 2700°K or consult factory. Specify wattage and color temperature.
- LP With lamps. 2700°K or consult factory. Specify wattage and color temperature. Also see -LE.
- RD Double radio interference filter. For use with Option -84. Consult factory for triple.
- RF Radio interference filter. Eliminates line feedback.
- WD Wall Dimmer for use with Option -39. Controls 40 lamps if 277 volt; 20 lamps if 120 volt.

**SUBMITTAL DATA**

**APPROVAL STAMP**

JOB NAME \_\_\_\_\_

TYPE \_\_\_\_\_

WATTAGE \_\_\_\_\_ VOLTAGE \_\_\_\_\_

CATALOG NUMBER \_\_\_\_\_

LIMITED WARRANTY: CATALOGUED KIRLIN FIXTURES ARE WARRANTED FREE OF DEFECTS IN WORKMANSHIP OR MATERIAL FOR THREE YEARS FROM DATE OF PURCHASE. INSTALLATION, MAINTENANCE, AND REPAIRS ARE THE RESPONSIBILITY OF THE USER. THE WARRANTY IS VOID IF THE FIXTURE IS REPAIRED OR MODIFIED WITHOUT WRITTEN AUTHORIZATION FROM THE MANUFACTURER. THIS WARRANTY DOES NOT COVER THE WARRANTY OF THE LAMP.