

3 1/4" Total Recessed Depth: Unsurpassed Shallow Plenum

Features

Lamp

- Designed for:
 - 2 horizontal twin tube 13 watt.
 - 2 pin GX23 base.
 - See Option -43 for lower wattage.

Ballast

- Thermally protected, encased and potted. High power factor.
- Single circuit wiring. Optional two circuit wiring (see Option -84).
- See Option -96 for electronic multi-voltage ballast instead.
- Visible and easily serviced in all ceilings.

Fuse

- Available as Option -FS (single) or -FD (double).

Reflector

- Specular Alzak® aluminum.

Trim Assembly

- Seamless tapered black OptiGroove with white self-flanged trim.
- Regressed prismatic tempered low brightness C#73 spread distribution lens.
- White flare trim or flat trim available with standard or optional lens. See Options.
- Fresnel, anopal, acrylic or polycarbonate lens or eggcrate louver instead of lens, available. See Options.

Housing

- Acrylic enameled aluminum.
- Rustproof: Exceeds 1000 hour ASTM 5% salt spray test.
- Cool: Dissipates heat across entire surface area. Ventilated.
- Entire luminaire serviced through removable trim assembly.
- Prewired outlet box; 14GA (NEC) galvanized steel. UL listed. Accessible through fixture opening.
- Built-in plaster frame.

Installation

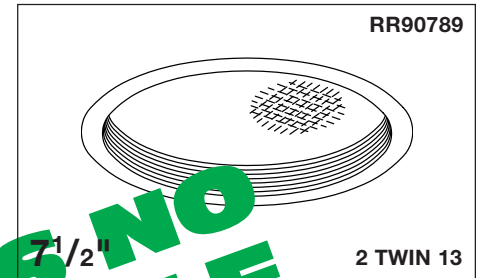
- 27" hanger bars supplied (2).
- Fully adjustable universal mounting brackets supplied (2).
- Recesses indoor or outdoor in covered locations.

UL, C-UL (Canada) Listings

- Wet, damp or dry locations, covered ceilings.
- Through-branch circuit conductors (5 #12).

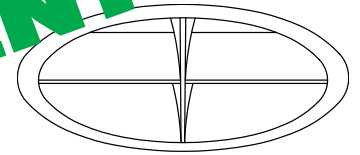
Three Year Limited Warranty

- Complete standard fixture.

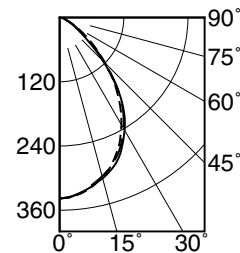
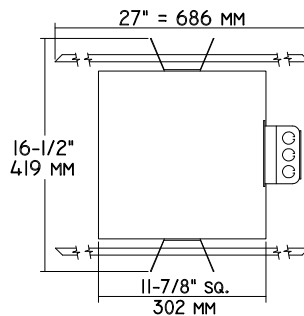
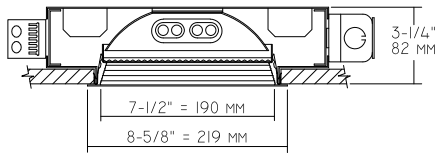


THIS FIXTURE IS NO LONGER AVAILABLE FOR COMPLETE REPLACEMENT

Shallow 3 1/4" Depth
Companion to RR90718
Popular X-CELL Cross Baffle



Performance at a Glance



--- 0° S/MH 1.1
 - - - 45° S/MH 1.1
 ——— 90° S/MH 1.1

Cone of Light*

Ft.	FC	Dia.
6	9.4	6.5
8	5.3	8.6
10	3.4	10.8
12	2.3	13.0
14	1.7	15.1
16	1.3	17.3

Cone of Light Key

Ft. Distance from fixture
FC Footcandles (average)
Dia. Circle of light at 50% of FC

* Dia. (in ft.) shown is where FC value is half the FC at nadir.

THE KIRLIN COMPANY

3401 EAST JEFFERSON AVENUE • DETROIT, MICHIGAN 48207-4232
 (313) 259-6400 • Fax: (313) 259-9409 OR (313) 259-3121 • www.kirlinlighting.com

**CENTURY SERIES
 ARCHITECTURAL
 COMPACT FLUORESCENT LIGHTING**

MAXIMUM WATTAGE

CATALOG NUMBER

2 Twin 13

RR90789

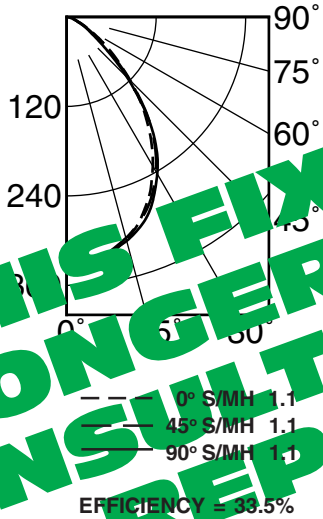
DUE TO OUR CONTINUING EFFORT TO IMPROVE PRODUCTS, TECHNICAL INFORMATION IS SUBJECT TO CHANGE WITHOUT NOTICE.

Alzak® is a registered trademark of ALCOA.

Detailed Photometry - Installed Fixture

FROM I.T.L. (BOULDER, CO) TEST NUMBER 52422

RR90789 *LER = 12.1
 •AEC = \$19.81



CANDLEPOWER DISTRIBUTION

	0.0	22.5	45.0	67.5	90.0
0	338	338	338	338	338
5	334	334	333	332	333
15	309	308	307	308	311
25	263	264	268	270	273
35	196	200	205	207	208
45	121	120	119	117	115
55	59	57	54	48	46
65	23	23	21	20	19
75	6	6	6	6	7
85	0	0	0	0	0
90	0	0	0	0	0

COEFFICIENTS OF UTILIZATION

RC	0	10	20	30	40	50	60	70	80	90	100
1	38	36	35	34	34	34	34	33	33	33	33
2	35	33	31	30	31	30	29	29	29	29	29
3	33	30	28	26	28	27	25	25	25	25	25
4	30	27	25	23	26	24	23	23	23	23	23
5	28	25	22	21	24	22	20	20	20	20	20
6	27	23	20	19	22	20	18	18	18	18	18
7	25	21	19	17	20	18	17	17	17	17	17
8	23	19	17	15	19	17	15	15	15	15	15
9	22	18	16	14	17	15	14	14	14	14	14
10	21	17	14	13	16	14	13	13	13	13	13

* LER = Luminaire Efficacy Rating
 LER = Luminaire Effic. x Total Lamp Lumens x Ballast Factor
 Input Watts

• AEC = Annual Energy Cost per 1000 lumens
 (based on 3000 hours use @ \$0.08 KWH).

THIS FIXTURE IS NO LONGER AVAILABLE FOR CONSULT FACTORY REPLACEMENT

Options

- 13 Clear 1/8" flat polycarbonate below, with tempered prismatic flat C#73 lens above.
- 17 Prismatic 3/16" high-strength acrylic instead.
- 18 Anopal flat glass. Not enameled. Diffusing.
- 20 White 1/2" cube eggcrate louver instead of lens.
- 21 White translucent flat polycarbonate instead.
- 32 Trim extender. Broadens trim flange O.D. by 1" to cover larger ceiling opening.
- 40 White grooveless flare trim with regressed tempered C#73 or specify optional lens.
- 43 Lower wattage: Specify 2TT9 or 2TT7 watt.
- 45 Gasket between trim and ceiling.
- 46 Gasket between trim and lens.
- 58 277 volt 60 Hz. ballasts instead.
- 73 Internal emergency "Ni-Cad" battery pack

- concealed in housing. Controls one lamp. Switch and visible light located above lens. For indoor use. Housing depth increases to 6 1/4".
- 75 Remote emergency "Ni-Cad" battery pack. Provided with 2' lengths of flexible conduit at each end. Consult factory for maximum mounting distance. Includes test/monitor plate. Indoor use.
- 82 Sloped ceiling adapter. Specify slope up to 30° in 5° increments.
- 84 Fixture wired for two circuits. See Options -96, -FD and -RD.
- 94 Custom color trim assembly. Consult factory.
- 96 Regulating electronic multi-voltage (120-277) ballast instead for 13 watt only. Also see Options -84 and -LE.
- 97 Other voltage ballast. Consult factory.

- 98 347 volt 60 Hz. ballast instead. Consult factory for electronic version.
- 99 Special modification. Consult factory.
- FD Double Fused primary. Aids servicing. Use with Option -84.
- FR Fresnel tempered lens instead. Concentric prisms.
- FS Fused primary. Replaceable. Aids servicing.
- FT Flat white trim instead. With tempered prismatic C#73 lens or specify other lens.
- LE With 4-pin electronic lamps for use with Option -96. 2700°K or consult factory. Specify wattage and color temperature.
- LP With lamps. 2700°K or consult factory. Specify wattage and color temperature. Also see -LE.
- RD Double radio interference filter. Use with -84.
- RF Radio interference filter. Eliminates feedback.

SUBMITTAL DATA

APPROVAL STAMP

JOB NAME _____

TYPE _____

WATTAGE _____ VOLTAGE _____

CATALOG NUMBER _____

LIMITED WARRANTY: CATALOGUED KIRLIN FIXTURES ARE WARRANTED FREE OF DEFECTS IN WORKMANSHIP OR MATERIAL FOR THREE YEARS FROM DATE OF PURCHASE, INSTALLED TO N.E.C. IN NORMAL USE. Manufacturer at his option will replace or repair such fixture or refund the purchase price or presentation of proof of purchase and defective fixture at the offices of manufacturer within three years of original shipment. Liability of manufacturer is limited to the foregoing, and manufacturer shall not be liable for any other damages, direct or indirect, sustained or suffered by purchaser or any person. This warranty is supplied from the manufacturer and does not constitute an implied warranty of merchantability or fitness for a particular use, nor will any oral statement constitute a warranty or amend this specific warranty. Manufacturer's use, abuse of the fixture, improper installation, or repair, or modification of the fixture without prior written authorization from the manufacturer will void the warranty. void.