

Parabolic X-CELL Downlights

NEW HOUSING SIZE - RR90719

Features

Lamp

- Designed for:
 - 2 horizontal Twin Tube 13 watt: RR90718.
 - 2 horizontal Quad 26 watt: RR90719.
- 2 pin GX23 base: RR90718.
- 2 pin G24d-3 base: RR90719.
- See Option -43 for lower wattage.

Ballast

- Thermally protected, encased and potted standard.
- High power factor standard.
- Single circuit wiring. Optional two-circuit wiring. (See Option -84)
- 120 volt standard or see optional voltages.
- Dimming optional for RR90719. (See Option -39)
- Electronic optional for RR90719. (See Option -96)
- Visible and easily serviced in all ceilings.

Fuse

- Available as Option -FS (single) or -FD (double).

Reflector

- Self-flanged low iridescence specular Alzak® aluminum reflector with 4-cell

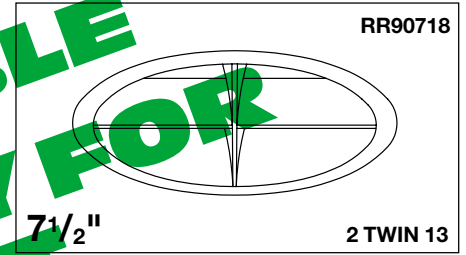
- parabolic cross baffle.
- Optional white finish. (See Option -30)
- **Housing**
 - Acrylic enameled aluminum.
 - Cool. Dissipates heat across entire surface area. Ventilated.
 - Rustproof: Exceeds 1000 hour ASTM 5% salt spray test.
 - Entire luminaire serviced through removable reflector.
 - Prewired outlet box: 14GA (NEC) galvanized steel. UL listed. Accessible through fixture opening.
 - Built-in plaster frame.

Installation

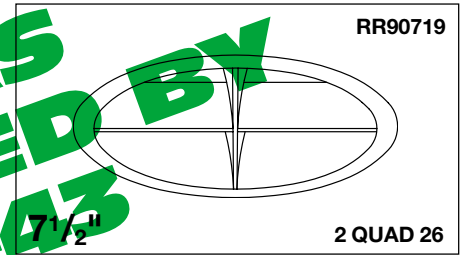
- 27" hanger bars supplied (2).
- Fully adjustable universal mounting brackets supplied (2).
- Reflector and socket bracket adjust as unit for ease of installation.
- Recesses indoor or outdoor in covered locations.

UL, C-UL (Canada) Listings

- Wet, damp or dry locations, covered ceilings.
- Through-branch circuit conductors (6 #12).
- **Three Year Limited Warranty**
- Complete standard fixture.

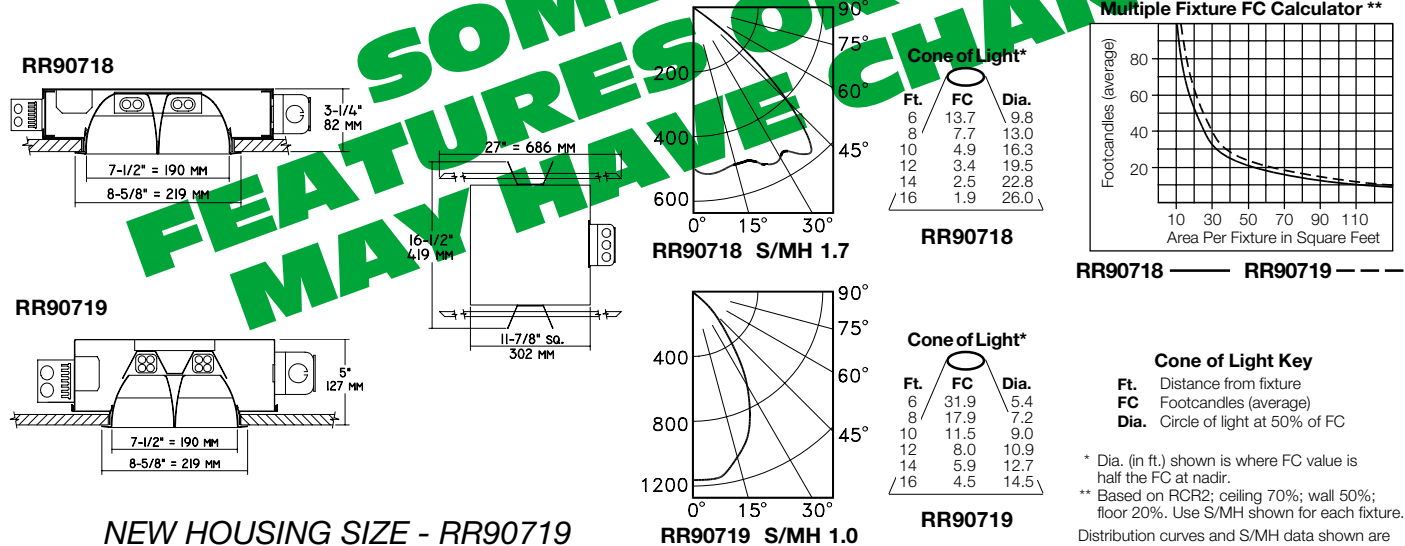


Shallow 3 1/4" Depth
61% Efficiency



Super Low Brightness
Dimming Optional

Performance at a Glance



NEW HOUSING SIZE - RR90719

THE KIRLIN COMPANY

3401 EAST JEFFERSON AVENUE • DETROIT, MICHIGAN 48207-4232
(313) 259-6400 • Fax: (313) 259-9409 OR (313) 259-3121

**CENTURY SERIES
ARCHITECTURAL
COMPACT FLUORESCENT LIGHTING**

MAXIMUM WATTAGE

**2 Twin 13
2 Quad 26**

CATALOG NUMBERS

**RR90718
RR90719**

Detailed Photometry - Installed Fixture

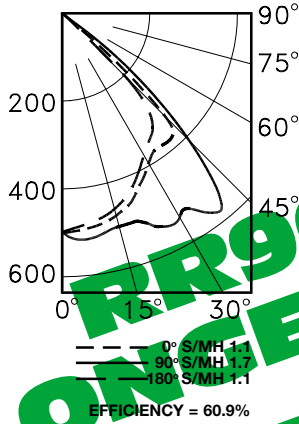
FROM I.T.L. (BOULDER, CO) RR90718: TEST NUMBER 39196
RR90719: TEST NUMBER 42081

RR90718

*LER = 24.8
•AEC = \$9.68

CANDLEPOWER DISTRIBUTION

COEFFICIENTS OF UTILIZATION



	0.0	45.0	90.0	135.0	180.0
0	494	494	494	494	494
5	493	505	513	504	490
15	471	502	502	491	455
25	413	488	540	467	386
35	356	532	565	508	328
45	312	418	427	360	234
55	277	130	94	95	51
65	2	11	6	5	2
75	1	0	0	0	1
85	0	0	0	0	0
90	0	0	0	0	0

RF	20						
	70	50	30	10	50	30	10
1	68	66	64	63	62	61	60
2	64	60	57	54	57	54	52
3	59	54	50	47	52	49	46
4	55	49	45	42	47	45	41
5	51	45	40	37	43	39	36
6	48	41	36	33	39	35	32
7	44	37	32	29	36	32	29
8	41	34	29	26	33	29	26
9	39	31	27	24	30	26	24
10	36	29	25	22	28	24	21

* LER = Luminaire Efficiency Ratio
LER = (Luminaire Effic. x Total Luminaire Output) / (Total Luminaire Output x Ballast Factor)

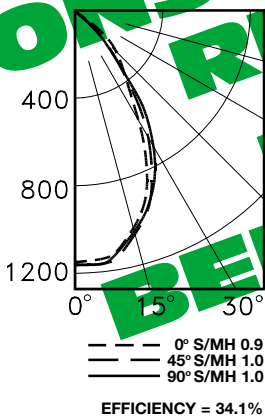
• AEC = Annual Energy Cost per 1000 lumens (based on 3000 hours use @ \$0.08 KWH)

RR90719

*LER = 17.7
•AEC = \$13.58

CANDLEPOWER DISTRIBUTION

COEFFICIENTS OF UTILIZATION



	0.0	22.5	45.0	67.5	90.0
0	1147	1147	1147	1147	1147
15	1135	1138	1146	1156	1153
30	1010	1017	1021	1020	1014
45	763	778	788	807	811
60	439	456	467	481	493
75	211	208	169	141	154
90	68	49	39	28	34
105	3	3	4	3	2
120	1	1	0	2	1
135	0	0	0	0	0
150	0	0	0	0	0

RF	20						
	70	50	30	10	50	30	10
1	39	38	37	36	35	35	34
2	36	35	33	32	33	32	31
3	34	32	30	29	31	29	28
4	33	30	28	26	29	27	26
5	31	28	26	24	27	25	24
6	29	26	24	22	25	23	22
7	27	24	22	20	23	21	20
8	26	22	20	19	22	20	19
9	25	21	19	17	21	19	17
10	23	20	18	16	19	18	16

Estimated Multiplier = 30 White X-CELL: CP x .88

Options

- 30 White X-CELL reflector assembly and flange. (CP x .88)
- 31 White flange (only) on X-CELL reflector.
- 32 Trim extender. Broadens trim flange O.D. by 1" to cover larger ceiling opening.
- 39 Installed electronic dimming ballast for RR90719. Consult factory for quantity and type required. Also see Options -LE and -WD.
- 43 Lower wattage: Specify 2TT9 watt (RR90718); 2Q18 watt (RR90719).
- 45 Gasket above reflector flange. Stops dust streaks on ceiling.
- 58 277 volt 60 Hz. ballast instead.
- 73 Internal emergency "Ni-Cad" battery pack concealed in housing. Controls one lamp. Switch and light unobtrusively located inside

- reflector. For indoor use. Note: housing depth increases to 6-1/4". See -75.
- 74 Internal 2-lamp emergency "Ni-Cad" battery pack for use with 4-pin electronic lamps only (RR90719). Use with Option -96. Note: housing depth increases to 6-1/4".
- 75 Remote emergency "Ni-Cad" battery pack. Controls 1 lamp. 4' of flex provided for max. mounting distance. Indoor use.
- 79 Extension collar for up to 2" thick ceilings. (RR90719 only)
- 82 Sloped ceiling adapter. Specify slope up to 30° in 5° increments.
- 84 Fixture wired for two circuits. See -FD and -RD.
- 94 Custom color self-flanged parabolic X-CELL reflector. Consult factory.
- 96 Regulating electronic high power factor 0°F single circuit ballast instead for RR90719. See

- Options -74, -84 and -LE.
- 97 Other voltage ballast. Consult factory.
- 98 347 volt 60 Hz. ballast instead. Consult factory for dimming.
- 99 Special modification. Consult factory.
- FD Double Fused primary. One per ballast. Replaceable. Use with Option -84.
- FS Fused primary. One per fixture. Replaceable. Aids servicing.
- LE With 4-pin electronic lamps for use with Options -39, -74 or -96 (RR90719). 2700°K or consult factory. Specify wattage and color temperature.
- LP With lamps. 2700°K or consult factory. Specify wattage and color temperature. Also see -LE.
- RD Double radio interference filter. For use with Option -84.
- RF Radio interference filter. Eliminates line feedback.
- WD Wall Dimmer for use with Option -39 (RR90719).

SUBMITTAL DATA

APPROVAL STAMP

JOB NAME _____
 TYPE _____
 WATTAGE _____ VOLTAGE _____
 CATALOG NUMBER _____

LONGLETT FACTORY HAS BEEN REPLACED BY KIRLIN. RR90719 HAS BEEN REPLACED BY RR-0702443. SOME DESIGNS MAY HAVE CHANGED.

LIMITED WARRANTY: CATALOGUED KIRLIN FIXTURES ARE WARRANTED FREE OF DEFECTS IN WORKMANSHIP OR MATERIAL FOR THREE YEARS FROM DATE OF PURCHASE. INSTALL TO N.E.C. IN NORMAL USE. Manufacturer at his option will replace or repair such fixture or refund the purchase price on presentation of proof of purchase and defective fixture at the office of manufacturer within 90 days of original shipment. Liability of manufacturer is limited to the foregoing and manufacturer shall not be liable for any other damages, direct or indirect, sustained or suffered by purchaser or any person. This warranty is supplied to the buyer in place of all other warranties, expressed or implied. Seller does not warrant the suitability or fitness for a particular use, nor will oral statement constitute a warranty or amend this specific warranty. Abnormal use, abuse of the fixture, improper installation, repair, or modification of the fixture without prior written authorization from the manufacturer will render the warranty void.