

3 Triple 42 Watt: Dimmable or 3 Level Switching

Features

Lamp

- Designed for: 3 horizontal Triple Tube Amalgam 42 watt.
- 4 pin GX24q-4 base.
- 90% lumen output maintained at ballast minimum operating temperature.
- Flicker-free starting, high light output, excellent color rendering (82 CRI).
- Long 10,000 hour life.
- High efficiency with low operating costs.
- See Option -43 for lower wattage.

Ballast

- Regulating electronic high power factor, thermally protected, enclosed.
- Cold weather: -18°C to -20°C (0°F to -5°F).
- Built-in RIF filter. THD is less than 10%.
- 120 volt standard or see optional voltages.
- See Option -39 for dimming availability and restrictions.
- Visible and easily serviced in all ceilings.

Fuse

- Available as Option -FS (single) or -FD (double).

Reflector

- Self-flanged low iridescence specular Alzak® aluminum.
- Optional SofTex softly etched Clear, Dune, Champagne Gold or Wheat also available.

Housing

- Acrylic enameled aluminum.
- Rustproof: Exceeds 1000 hour ASTM 5% salt spray test.
- Cool: Dissipates heat across entire surface area. Ventilated.
- Entire luminaire serviced through removable reflector.
- Prewired outlet box; 14GA (NEC) galvanized steel. UL listed. Accessible through fixture opening.
- Built-in plaster frame.

Installation

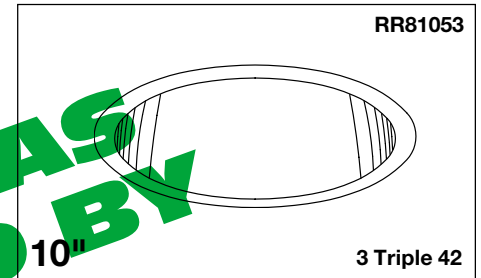
- 27" hanger bars supplied (2).
- Fully adjustable universal mounting brackets supplied (2).
- Reflector and socket bracket adjust as unit for ease of installation.
- Recesses indoor or outdoor in covered locations.

UL, C-UL (Canada) Listings

- Wet, damp or dry locations, covered ceilings.
- Through-branch circuit conductors (6 #12).

Three Year Limited Warranty

- Complete standard fixture.



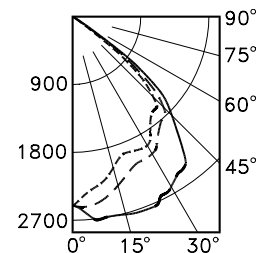
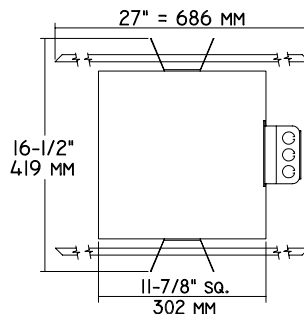
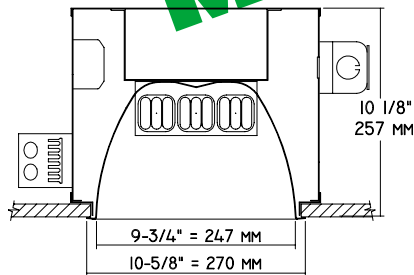
Lumen Output Exceeds 100 Watt Metal Halide

No Lamp Color Shift Indoor and Outdoor Use

SofTex Clear, Dune, Champagne Gold or Wheat Reflector Finishes Available

Performance at a Glance

RR81053



RR81053
 --- 0° S/MH 1.2
 ——— 90° S/MH 1.5
 - - - 180° S/MH 1.3

Cone of Light*

Ft.	FC	Dia.
6	68.7	8.0
8	38.7	10.7
10	24.7	13.4
12	17.2	16.0
14	12.6	18.7
16	9.7	21.4

RR81053

Cone of Light Key

Ft. Distance from fixture
FC Footcandles (average)
Dia. Circle of light at 50% of FC

* Dia. (in ft.) shown is where FC value is half the FC at nadir.

THE KIRLIN COMPANY

3401 EAST JEFFERSON AVENUE • DETROIT, MICHIGAN 48207-4232
 (313) 259-6400 • Fax: (313) 259-9409 OR (313) 259-3121 • www.light-link.com/kirlin

SECOND CENTURY SERIES
 TRIPLE TUBE
 COMPACT FLUORESCENT LIGHTING

MAXIMUM WATTAGE

CATALOG NUMBER

3 Triple 42

RR81053

DUE TO OUR CONTINUING EFFORT TO IMPROVE PRODUCTS, TECHNICAL INFORMATION IS SUBJECT TO CHANGE WITHOUT NOTICE.

Alzak® is a registered trademark of ALCOA.

RR81053 RECESSED ROUND: TRIPLE TUBE AMALGAM 42 WATT COMPACT FLUORESCENT

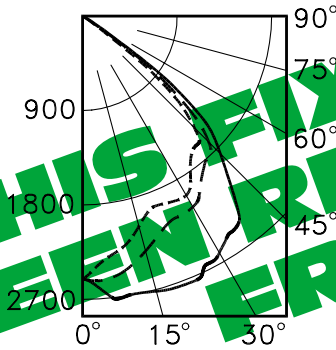
Detailed Photometry - Installed Fixture

FROM I.T.L. (BOULDER, CO) TEST NUMBER 46035

RR81053

*LER = 33.4

•AEC = \$7.19



--- 0° S/MH 1.2
 --- 90° S/MH 1.5
 --- 180° S/MH 1.3
 EFFICIENCY = 55.6%

CANDLEPOWER DISTRIBUTION

	0.0	45.0	90.0	135.0	180.0
0	2474	2474	2474	2474	2474
5	2363	2465	2613	2602	2511
15	2113	2457	2740	2669	2360
25	1969	2410	2658	2629	2124
35	1761	2397	2458	2535	1956
45	1401	1580	1858	1784	1648
55	318	450	590	528	438
65	4	5	4	4	6
75	0	0	0	0	0
85	0	0	0	0	0
90	0	0	0	0	0

COEFFICIENTS OF UTILIZATION

RC	70	80	90	100	50	100
RW	70	80	90	100	50	100
0	62	61	59	57	57	55
1	58	55	52	50	50	48
2	54	50	46	44	47	42
3	50	45	41	38	43	38
4	47	41	37	34	39	34
5	44	38	33	30	36	30
6	41	34	30	27	33	27
7	38	32	27	25	30	24
8	36	29	25	22	28	22
9	33	27	23	20	26	20
10	33	27	23	20	26	20

Estimated Multipliers

- 70 SofTex Clear: CP x .93
- 71 SofTex Dune: CP x .87
- 90 SofTex Champagne Gold: CP x .90
- 91 SofTex Wheat: CP x .87

* LER = Luminaire Efficacy Rating

LER = $\frac{\text{Luminaire Efficacy} \times \text{Total Lamp Lumens} \times \text{Ballast Factor}}{\text{Input Watts}}$

• AEC = Annual Energy Cost per 1000 lumens (based on 3000 hours use @ \$0.08 KWH).

Options

- 31 White reflector trim, self-flanged.
- 32 Trim extender. Broadens trim flange O.D. by 1" to cover larger ceiling opening.
- 39 Installed electronic dimming ballasts (3-one lamp). Consult factory for 18 or 26 watt or for quantity and type required. Also see Options -LE and -WD. Indoor use.
- 43 Lower wattage triple tube: Specify 3-32, 3-26 or 3-18 watt.
- 45 Gasket above reflector flange. Stops dust streaks on ceiling.
- 58 277 volt 60 Hz. ballast instead.
- 70 SofTex Clear softly etched self-flanged reflector. Resists smudges. (CP x .93)

- 71 SofTex Dune softly etched self-flanged reflector. Resists smudges. (CP x .87)
- 73 Internal emergency "Ni-Cad" battery pack concealed in housing (one lamp only). Switch and visible light unobtrusively located inside reflector. For indoor use.
- 74 Two lamp internal emergency "Ni-Cad" battery pack concealed in housing for 18, 26 or 32 watt. Consult factory for 42 watt. Switch and visible light unobtrusively located inside reflector. Indoor use.
- 79 Extension collar for up to 2" thick ceilings.
- 84 Fixture wired for two circuits. See Option -FD.
- 90 SofTex Champagne Gold softly etched self-flanged reflector. Resists smudges. (CP x .90)
- 91 SofTex Wheat softly etched self-flanged reflector. Resists smudges. (CP x .87)

- 94 Custom color self-flanged reflector. Consult factory.
- 97 Other voltage ballast. Consult factory.
- 98 347 volt 60 Hz. ballast instead. Consult factory for dimming.
- 99 Special modification. Consult factory.
- FD Double Fused primary. One per ballast, Use with Option -84.
- FS Fused. Replaceable. Aids servicing.
- LE With 4-pin electronic Triple Tube amalgam lamp. 82 CRI and 10,000 hour life. 3500°K or consult factory for 2700°K, 3000°K or 4100°K. Specify wattage and color temperature.
- WD Wall Dimmer for use with Option -39. Consult factory for use with 18 or 26 watt.

SUBMITTAL DATA

JOB NAME _____

TYPE _____

WATTAGE _____ VOLTAGE _____

CATALOG NUMBER _____

APPROVAL STAMP

LIMITED WARRANTY: CATALOGUED KIRLIN FIXTURES ARE WARRANTED FREE OF DEFECTS IN WORKMANSHIP OR MATERIAL FOR THREE YEARS FROM DATE OF PURCHASE. INSTALLATION MUST BE BY A QUALIFIED ELECTRICIAN. THE PURCHASER'S REPRESENTATION OF THE QUALITY OF THE WORKMANSHIP OR MATERIAL IS LIMITED TO THE ORIGINAL STATEMENT. LABELING OF MANUFACTURER IS LIMITED TO THE ORIGINAL STATEMENT. THE WARRANTY IS SUPPLIED FROM THE MANUFACTURER AND DOES NOT APPLY TO THE PURCHASER'S REPRESENTATION OF THE QUALITY OF THE WORKMANSHIP OR MATERIAL. THE WARRANTY IS VOID IF THE MANUFACTURER IS NOT THE ORIGINAL MANUFACTURER.