

## Type IC Open Downlight

### Features

#### Lamp

- Designed for:
  - 1 vertical Triple Tube 32 watt.
- 4 pin GX24q-3 base.
- 90% lumen output maintained at ballast minimum operating temperature.
- Flicker-free starting, high light output, excellent color rendering (82 CRI).
- Long 10,000 hour life.
- High efficiency with low operating costs.
- See Option -43 for lower wattage.

#### Ballast

- Regulating electronic high power factor, thermally protected, encased.
- Starting temperature -5° to -10°C (14° to 23°F). See Option -CW for cold weather.
- Built-in RIF filter. THD is less than 10%.
- 120 volt standard or see optional voltages.
- Dimming optional. See Option -39.
- Visible and easily serviced in all ceilings.

#### Fuse

- Available as Option -FS.

#### Reflector

- Self-hinged low iridescence specular Alzak® aluminum.

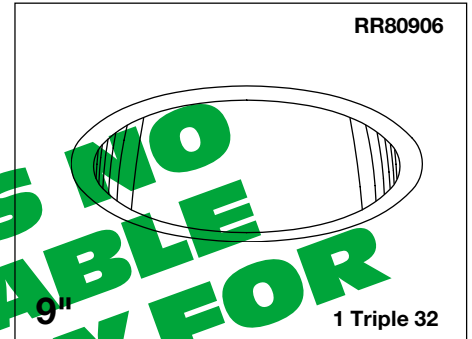
- Optional SoftEx softly etched Clear, Dune Champagne Gold or Wheat available.
- Optional OptiGroove assembly available.

#### Housing

- Acrylic enameled aluminum.
- Cool: Dissipates heat across entire surface area. Ventilated.
- Rustproof: Exceeds 1000 hour ASTM 5% salt spray test.
- Entire luminaire serviced through removable reflector.
- Prewired outlet box, 14GA (NEC) galvanized steel, UL listed. Accessible through fixture opening.
- Built-in plaster frame.

#### Installation

- 27" hanger bars supplied (2).
- Fully adjustable universal mounting brackets supplied (2).
- Reflector and socket bracket adjust as unit for ease of installation.
- Recesses indoor or outdoor in covered locations.



**77% Efficiency**  
**Dimming Optional**  
**Exceptional 45° Cut-Off**

#### UL, C-UL (Canada) Listings

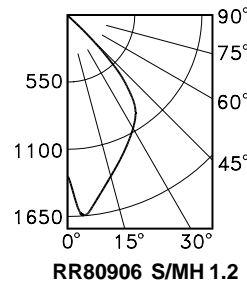
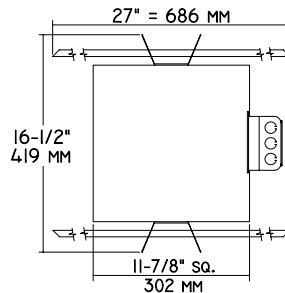
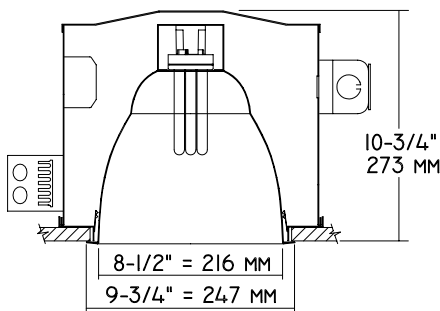
- Wet, damp or dry locations, covered ceilings.
- Through-branch circuit conductors (6 #12).
- Type IC - Approved for direct contact with insulation.

#### Three Year Limited Warranty

- Complete standard fixture.

### Performance at a Glance

RR80906

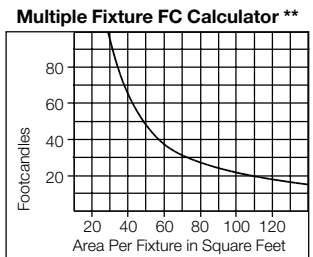


RR80906 S/MH 1.2

#### Cone of Light\*

Ft.	FC	Dia.
6	36.0	6.4
8	20.2	8.6
10	12.9	10.7
12	9.0	12.8
14	6.6	15.0
16	5.1	17.1

RR80906



RR80906

#### Cone of Light Key

- Ft.** Distance from fixture
- FC** Footcandles (average)
- Dia.** Circle of light at 50% of FC

\* Dia. (in ft.) shown is where FC value is half the FC at nadir.  
\*\* Based on RCR2; ceiling 70%; wall 50%; floor 20%. Use S/MH shown for each fixture.

## THE KIRLIN COMPANY

3401 EAST JEFFERSON AVENUE • DETROIT, MICHIGAN 48207-4232  
(313) 259-6400 • Fax: (313) 259-9409 OR (313) 259-3121 • www.light-link.com/kirlin

SECOND CENTURY SERIES  
TRIPLE TUBE  
COMPACT FLUORESCENT LIGHTING

MAXIMUM WATTAGE

CATALOG NUMBER

1 Triple 32

RR80906

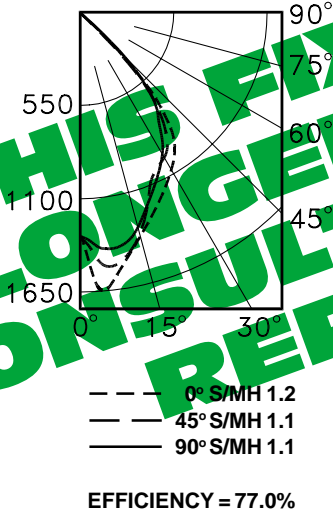
DUE TO OUR CONTINUING EFFORT TO IMPROVE PRODUCTS, TECHNICAL INFORMATION IS SUBJECT TO CHANGE WITHOUT NOTICE.

Alzak® is a registered trademark of ALCOA.

**Detailed Photometry - Installed Fixture**

FROM I.T.L. (BOULDER, CO) TEST NUMBER 41574

**RR80906**      \*LER = **53.2**  
                      \*AEC = **\$4.51**



**CANDLEPOWER DISTRIBUTION**

	0.0	22.5	45.0	67.5	90.0
0	1295	1295	1295	1295	1295
5	1610	1567	1471	1380	1381
15	1352	1390	1362	1283	1301
25	1111	1147	997	1064	1027
35	919	914	840	914	777
45	405	404	391	411	418
55	1	2	1	1	2
60	1	2	1	1	2
75	0	1	0	1	2
85	0	0	0	0	0
90	0	0	0	0	0

**COEFFICIENTS OF UTILIZATION**

H/F	20						
	80		50				
Room	70	50	30	10	50	30	10
1	87	85	83	81	80	78	77
2	82	78	75	72	74	72	70
3	78	72	68	65	68	66	63
4	73	67	62	58	64	60	57
5	69	62	57	53	59	55	52
6	65	57	52	48	55	51	48
7	61	53	48	44	52	47	44
8	58	49	44	41	48	44	41
9	54	46	41	38	45	41	38
10	51	43	38	35	42	38	35

**THIS FIXTURE IS NO LONGER AVAILABLE FOR REPLACEMENT CONSULT FACTORY**

\* LER = Luminaire Efficiency Rating

LER =  $\frac{\text{Luminaire Effic.} \times \text{Total Lamp Lumens} \times \text{Ballast Factor}}{\text{Input Watts}}$

• AEC = Annual Energy Cost per 1000 lumens (based on 3000 hours use @ \$0.08 KWH).

Estimated Multipliers

- 70 SofTex Clear: CP x .93
- 71 SofTex Dune: CP x .87
- 90 SofTex Champagne Gold: CP x .90
- 91 SofTex Wheat: CP x .87
- 92 OptiGroove: CP x .75

**Options**

- 31 White reflector trim, self-flanged.
- 32 Trim extender. Broadens trim flange O.D. by 1" to cover larger ceiling opening.
- 39 Installed electronic dimming ballast. Consult factory for 18 or 26 watt. Consult factory for quantity and type required. Also see Options - LE and -WD. Indoor use.
- 43 Lower wattage triple tube: Specify 18 or 26 watt.
- 45 Gasket above reflector flange. Stops dust streaks on ceiling.
- 58 277 volt 60 Hz. ballast instead.
- 70 SofTex Clear softly etched self-flanged reflector. Resists smudges. (CP x .93)
- 71 SofTex Dune softly etched self-flanged reflector. Resists smudges. (CP x .87)
- 73 Internal emergency "Ni-Cad" battery pack concealed in housing. Switch and visible light unobtrusively located inside reflector. For indoor use.
- 79 Extension collar for up to 2" thick ceilings.
- 82 Sloped ceiling adapter. Specify slope in 5° increments up to 30°.
- 90 SofTex Champagne Gold softly etched self-flanged reflector. Resists smudges. (CP x .90)
- 91 SofTex Wheat softly etched self-flanged reflector. Resists smudges. (CP x .87)
- 94 Specular Pewter or Umber or other specified custom color self-flanged reflector. Consult factory.
- 97 Other voltage ballast. Consult factory.
- 98 347 volt 60 Hz. ballast instead. Consult factory for dimming.
- 99 Special modification. Consult factory.
- CW Cold weather electronic HPF ballast. -18°C to -20°C (0°F to -5°F).
- FS Fused. Replaceable. Aids servicing.
- LE With 4-pin electronic Triple Tube amalgam lamp. 82 CRI and 10,000 hour life. 3500°K or consult factory for 2700°K, 3000°K or 4100°K. Specify wattage and color temperature.
- OG OptiGroove black seamless tapered aluminum assembly. White trim, self-flanged. (CP x .75)
- WD Wall Dimmer for use with Option -39. Consult factory for use with 18 or 26 watt.

**SUBMITTAL DATA**

JOB NAME \_\_\_\_\_

TYPE \_\_\_\_\_

WATTAGE \_\_\_\_\_ VOLTAGE \_\_\_\_\_

CATALOG NUMBER \_\_\_\_\_

**APPROVAL STAMP**

LIMITED WARRANTY: CATALOGUED KIRLIN FIXTURES ARE WARRANTED FREE OF DEFECTS IN WORKMANSHIP OR MATERIAL FOR THREE YEARS FROM DATE OF PURCHASE. INSTALLED TO N.E.C. IN NORMAL USE. Manufacturer at this option will replace or repair such fixture or relamp the purchase price or representation of proof of purchase and defective fixture at the offices of manufacturer within three years of original shipment. Label of manufacturer is affixed to the top of each fixture. Label of manufacturer shall not be liable for any other damages, direct or indirect, sustained or suffered by purchaser or any person. This warranty is supplied from the manufacturer. It will render the warranty void.