

Triple Tube X-CELL™ Cross Baffle: Multi-Wattage / Multi-Voltage

Features

Lamp

- Designed for:
 - 1 horizontal Triple Tube 42 watt.
- **Lamp socket suitable for 42, 32 or 26 (electronic) wattages.**
- 4-pin GX24q-4 base.
- 90% lumen output maintained at ballast minimum operating temperature.
- Flicker-free starting, high light output, excellent color rendering (82 CRI).
- Long 10,000 hour life.
- High efficiency with low operating costs.

Ballast

- **Suitable for all wattages from 26 through 42 electronic (non-dimming).**
- **Suitable for all voltages from 120 through 277 volt (non-dimming).**
- Regulating electronic high power factor, thermally protected, enclosed.
- Minimum starting temperature 0°F (-18°C). See Option -CW for cold weather.
- With built-in end of lamp life protection.
- Built-in RIF filter. THD is less than 10%.
- Single circuit wiring. See Option -84 for two-circuit wiring.
- Dimming optional. See Option -39 for availability and restrictions.
- Visible and easily serviced in all ceilings.

NOTE: Options -43 (18 watt), -39 and -73 require specific voltage and are standard with 120V ballast. For other voltages specify Options -58, -97 or -98.

Fuse

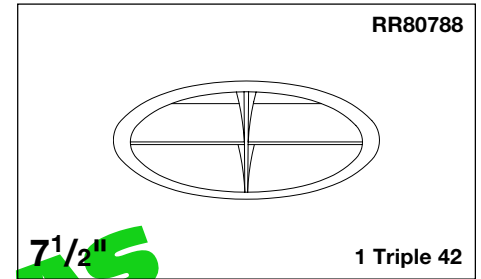
- Available as Option -FS. Also see -FD.

Reflector

- Self-flanged low iridescence semi-specular Alzak® aluminum reflector with 4-cell parabolic cross baffle.
- Optional White finish (Option -30) or White flange only (Option -31).
- Wall wash cross baffle available. (See Option -WW)

Housing

- Acrylic enameled aluminum.
- Rustproof: Exceeds 1000 hour ASTM 5% salt spray test.
- Cool: Dissipates heat across entire surface area. Ventilated.
- Entire luminaire serviced through removable reflector.
- Prewired outlet box, 14GA (NEC) galvanized steel. UL listed. Accessible through fixture opening.
- Built-in plaster frame.



**Shallow Plenum
Excellent Cut-Off**

Optional Wall Wash, ShatterGuard

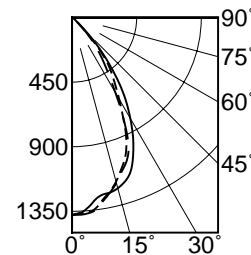
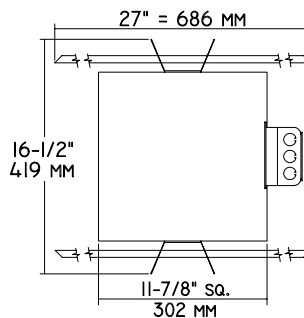
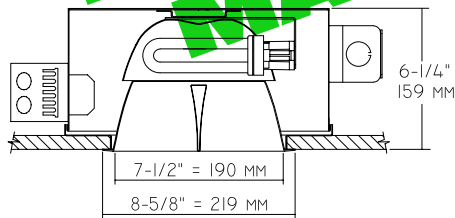
Installation

- 27" hanger bars supplied (2).
- Fully adjustable universal mounting brackets supplied (2).
- Recesses indoor or outdoor in covered locations.
- **UL, C-UL (Canada) Listings**
- Wet, damp or dry locations, covered ceilings.
- Through-branch circuit conductors (6 #12).

Three Year Limited Warranty

- Complete standard fixture.

Performance at a Glance



--- 0° S/MH 0.9
 ——— 90° S/MH 1.0
 - - - 180° S/MH 0.9

Cone of Light*

Ft.	FC	Dia.
6	38.2	5.7
8	21.5	7.7
10	13.8	9.6
12	9.5	11.5
14	7.0	13.4
16	5.4	15.3

Cone of Light Key

Ft. Distance from fixture
FC Footcandles (average)
Dia. Circle of light at 50% of FC

* Dia. (in ft.) shown is where FC value is half the FC at nadir.

THE KIRLIN COMPANY

3401 EAST JEFFERSON AVENUE • DETROIT, MICHIGAN 48207-4232
 (313) 259-6400 • Fax: (313) 259-9409 OR (313) 259-3121 • www.kirlinlighting.com

SECOND CENTURY SERIES
 TRIPLE TUBE
 COMPACT FLUORESCENT LIGHTING

MAXIMUM WATTAGE

CATALOG NUMBER

1 Triple 42

RR80788

DUE TO OUR CONTINUING EFFORT TO IMPROVE PRODUCTS, TECHNICAL INFORMATION IS SUBJECT TO CHANGE WITHOUT NOTICE.

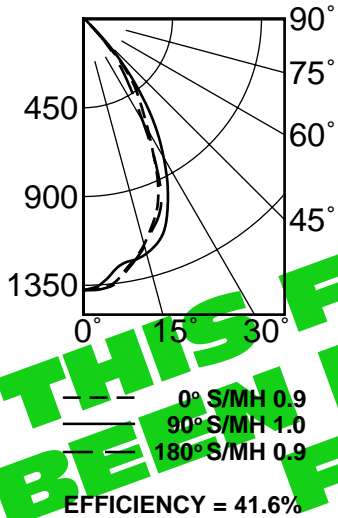
Alzak® is a registered trademark of ALCOA.

RR80788 RECESSED ROUND: TRIPLE TUBE AMALGAM 42 WATT COMPACT FLUORESCENT

Detailed Photometry - Installed Fixture

FROM I.T.L. (BOULDER, CO) TEST NUMBER 51514

RR80788 *LER = 31.2
•AEC = \$7.69



CANDLEPOWER DISTRIBUTION

	0.0	45.0	90.0	135.0	180.0
0	1375	1375	1375	1375	1375
5	1361	1345	1325	1353	1367
15	1184	1200	1231	1174	1194
25	884	986	1010	962	911
35	487	504	595	495	391
45	103	113	142	119	105
55	18	14	23	15	16
65	4	2	4	2	4
75	0	0	0	0	0
85	0	0	0	0	0

DEPENDENTS OF UTILIZATION

RC	70	50	30	10	50	10
1	47	46	45	44	43	42
2	45	43	41	40	41	39
3	42	40	38	36	38	36
4	40	37	35	33	36	34
5	38	35	32	30	33	31
6	36	32	30	28	31	29
7	34	30	28	26	29	27
8	33	28	26	24	28	26
9	31	27	24	23	26	24
0	29	25	23	21	25	23

Estimated Multipliers
-30 White cross baffle: CP x .88

* LER = Luminaire Efficacy Rating

LER = $\frac{\text{Luminaire Effic.} \times \text{Total Lamp Lumens} \times \text{Ballast Factor}}{\text{Input Watts}}$

• AEC = Annual Energy Cost per 1000 lumens (based on 3000 hours use @ \$0.08 KWH).

Options

- 30 White cross baffle reflector assembly and flange. (CP x .88)
- 31 White flange (only) on cross baffle reflector.
- 32 Trim extender. Broadens trim flange O.D. by 1" to cover larger ceiling opening.
- 39 Installed electronic dimming ballast for 42 watt or add -43 for lower wattages. **Specify voltage.** Consult factory for brand type. Also see Options -LE and -WD. Indoor use; not available with Option -CW.
- 43 Lower wattage triple tube: Specify 18W (electronic) or 32, 26, 18W (dimming) and **voltage.**
- 45 Gasket above reflector flange. Stops dust streaks on ceiling.
- 58 277 volt 60 Hz. ballast instead. For use with Options -39, -43 or -73.
- 73 Internal emergency "Ni-Cad" battery pack concealed in housing. **Specify voltage.** Switch and light unobtrusively located inside reflector. For indoor use.
- 82 Sloped ceiling adapter. Specify slope in 5° increments up to 30°.
- 94 Custom color self-flanged cross baffle reflector. Consult factory.
- 97 Other voltage ballast. Consult factory. Use with Options -39, -43, or -73.
- 98 347 volt 60 Hz. ballast instead. Consult factory for dimming. Use with -39, -43, or -73.
- 99 Special modification. Consult factory.
- CW Cold weather -22°F (-30°C) ballast instead. Not available with Option -39.
- FS Fused. Replaceable. Aids servicing.
- LE With 4-pin electronic Triple Tube amalgam lamp. 82 CRI and 10,000 hour life. Consult factory for compatibility with GE 42 watt lamps. 3500°K or consult factory. Specify wattage and color temperature.
- SG ShatterGuard. 1/8" clear polycarbonate below lamp, secured to upper reflector.
- WD Wall Dimmer for use with Option -39. Consult factory for type and quantity required.
- VWV Wall wash cross baffle reflector assembly instead.

SUBMITTAL DATA

JOB NAME _____
 TYPE _____
 WATTAGE _____ VOLTAGE _____
 CATALOG NUMBER _____

APPROVAL STAMP

THIS FIXTURE HAS BEEN REPLACED BY FRR-07022 SOME DESIGN FEATURES OR CHANGES MAY HAVE

LIMITED WARRANTY: CATALOGUED KIRLIN FIXTURES ARE WARRANTED FREE OF DEFECTS IN WORKMANSHIP OR MATERIAL FOR THREE YEARS FROM DATE OF PURCHASE. INSTALLATION TO N.E.C. IN NORMAL USE. Manufacturer at his option will replace or repair such fixture or refund the purchase price on presentation of proof of purchase and defective fixture at the office of manufacturer within the warranty period. This warranty is supplied to the purchaser of the fixture and does not extend to the manufacturer. Liability of manufacturer is limited to the original purchase price and does not include transportation, handling, or installation charges. This warranty is void if the fixture is used for any other purpose than that intended. Consult factory for details. Manufacturer will render the warranty void if the fixture is used for any other purpose than that intended. Consult factory for details. Manufacturer will render the warranty void if the fixture is used for any other purpose than that intended. Consult factory for details.