

2 Triple 42 Watt Cross Baffle: Multi-Wattage / Multi-Voltage

Features

Lamp

- Designed for:
 - 2 horizontal Triple Tube 42 watt.
- **Lamp socket suitable for 42, 32 or 26 (electronic) wattages.**
- 4-pin GX24q-3 base: 32, 26 watt.
- 4-pin GX24q-4 base: 42 watt.
- 90% lumen output maintained at ballast minimum operating temperature.
- Flicker-free starting, high light output, excellent color rendering (82 CRI).
- Long 10,000 hour life.
- High efficiency with low operating costs.

Ballast

- **Suitable for all wattages from 26 through 42 electronic (dimming).**
- **Suitable for all voltages from 120 through 277V (0-10V dimming).**
- Regulated electronic high power factor, thermally protected.
- Minimum starting temperature 0°F (-18°C) over 2000 hours for cold weather.
- With built-in end of lamp life protection.
- Built-in RIF filter. THD is less than 10%.
- Single circuit wiring. See Option -84 for two-circuit wiring.
- Dimming optional. See Option -83.

- Visible and easily serviced in all ceilings.
- NOTE: Options -43 (18 watt), -39 and -73 require specific voltage and are standard with 120V ballast. For other voltages specify Options -58, -97 or -98.

Fuse

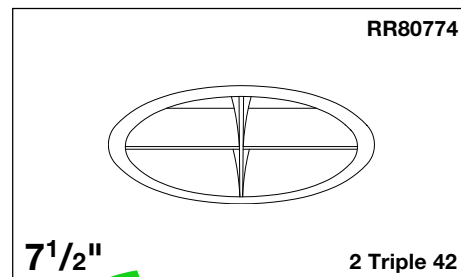
- Available as Option -FS. Also see -FD.

Reflector

- Self-flanged low iridescence specular Alzak® reflector with 4-cell parabolic lens design.
- Optional White Wash (Option -99) or White Wash only (Option -98).
- White wash cross ballast available. (See Option -99)

Wiring

- Pre-wired with 14 gauge enameled copper conductors.
- Dustproof: Exceeds 1000 hour ASTM 5% salt spray test.
- Heat dissipates heat across entire surface area. Ventilated.
- Entire luminaire is completely removable/reflected.
- Built-in outlet box, 14GA 4 conductor.
- Built-in steel. UL listed for visible rough fixture opening.
- Built-in steel frame.



7 1/2"

2 Triple 42

Using X-CELL™ Baffle

Dark Cut-Off

WASH OPTIONAL

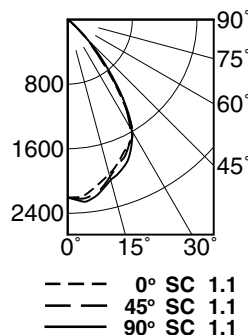
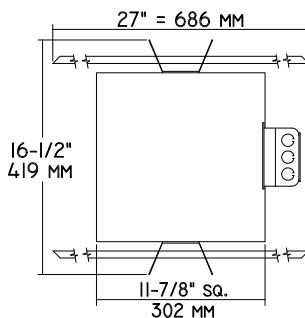
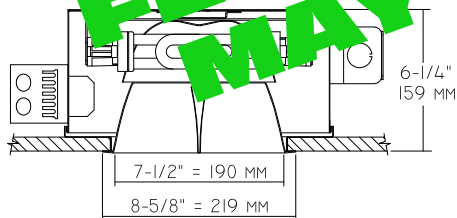
Installation

- 27" hanger bars supplied (2).
 - Fully adjustable universal hanger.
 - Hangers supplied (2).
 - Requires installation in covered location.
 - (Canada) Listed for Wet, damp or dry locations covered ceilings.
 - 27" diameter circuit conductors.
- 5 Year Limited Warranty**
- Complete standard fixture.

THIS FIXTURE HAS BEEN REPLACED BY FRR 07024 SOME DESIGN FEATURES OR OPTIONS MAY HAVE CHANGED

Performance at a Glance

RR80774



Cone of Light*

Ft.	FC	Dia.
6	61.2	6.6
8	34.4	8.8
10	22.0	11.0
12	15.3	13.2
14	11.2	15.4
16	8.6	17.6

Cone of Light Key

Ft. Distance from fixture
FC Footcandles (average)
Dia. Circle of light at 50% of FC

* Dia. (in ft.) shown is where FC value is half the FC at nadir.

THE KIRLIN COMPANY

3401 EAST JEFFERSON AVENUE • DETROIT, MICHIGAN 48207-4232
 (313) 259-6400 • Fax: (313) 259-9409 OR (313) 259-3121 • www.kirlinlighting.com

SECOND CENTURY SERIES
 TRIPLE TUBE
 COMPACT FLUORESCENT LIGHTING

MAXIMUM WATTAGE

CATALOG NUMBER

2 Triple 42

RR80774

DUE TO OUR CONTINUING EFFORT TO IMPROVE PRODUCTS, TECHNICAL INFORMATION IS SUBJECT TO CHANGE WITHOUT NOTICE.

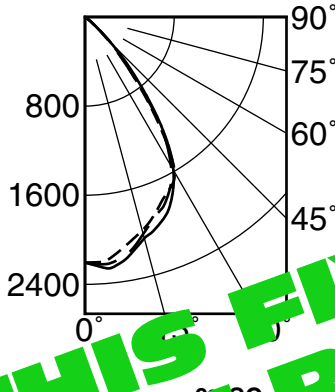
Alzak® is a registered trademark of ALCOA.

RR80774 RECESSED ROUND: TRIPLE TUBE AMALGAM 42 WATT COMPACT FLUORESCENT

Detailed Photometry - Installed Fixture

FROM I.T.L. (BOULDER, CO) TEST NUMBER 54946

**RR80774 *LER = 26.5
•AEC = \$9.06**



CANDLEPOWER DISTRIBUTION

	0.0	22.5	45.0	67.5	90.0
0	2204	2204	2204	2204	2204
5	2194	2204	2226	2253	2265
15	1984	2040	2017	2037	2057
25	1742	1785	1763	1828	1826
35	1122	1169	1177	1202	1192
45	329	298	284	322	332
55	27	13	12	10	5
65	4	3	3	3	4
75	0	0	0	0	0
85	0	0	0	0	0
90	0	0	0	0	0

PERCENTS OF UTILIZATION

RC	70	50	30	10	5	10
1	46	45	41	32	41	41
2	43	40	36	39	39	39
3	38	36	34	34	34	34
4	37	36	33	32	32	31
6	35	33	28	26	30	29
8	31	29	26	24	26	24
9	29	25	21	25	22	21
10	28	24	21	19	23	19

Estimated Multipliers
-30 White cross baffle: CP x .88

THIS FIXTURE HAS BEEN REPLACED BY FRR-07024 SOME DESIGN OR OPTIONS MAY HAVE CHANGED

*** LER = Luminaire Efficacy Rating**

LER = $\frac{\text{Luminaire Effic.} \times \text{Total Lamp Lumens} \times \text{Ballast Factor}}{\text{Input Watts}}$

• AEC = Annual Energy Cost per 1000 lumen (based on 3000 hours use @ \$0.08 kWh)

Options

- 30 White cross baffle reflector, trim flange. (CP x .88)
- 31 White flange (only) on cross baffle reflector.
- 32 Trim extender. Broadens trim flange O.D. by 1" to cover larger ceiling opening.
- 39 Installed electronic dimming ballast for 42 watt or add -43 for lower wattages. Specify voltage. Consult factory for brand type. Also see Options -84, -LE and -WD. Indoor use; not available with Option -CW.
- 43 Lower wattage triple tube: Specify 18W (electronic) or 32, 26, 18W (dimming) and voltage.
- 45 Gasket above reflector flange. Stops dust streaks on ceiling.
- 58 277 volt 60 Hz. ballast instead. For use with

- Options -39, -43 or -73.
- 73 Internal emergency "Ni-Cad" battery pack concealed in housing. Specify voltage. Controls one lamp. Switch and light unobtrusively located inside reflector. For indoor use.
- 74 Two lamp internal emergency "Ni-Cad" battery pack. Specify voltage. Switch and light unobtrusively located inside reflector. Indoor use. Consult factory for 42 watt.
- 82 Sloped ceiling adapter. Specify slope in 5° increments up to 30°.
- 84 Fixture wired for two circuits. See Option -FD.
- 94 Custom color self-flanged cross baffle reflector. Consult factory.
- 97 Other voltage ballast. Consult factory. Use with Options -39, -43, or -73.
- 98 347 volt 60 Hz. ballast instead. Consult

- factory for dimming. Use with -39, -43, or -73.
- 99 Special modification. Consult factory.
- CW Cold weather -22°F (-30°C) ballast instead. Not available with Option -39.
- FD Double Fused primary. Replaceable. Use with Option -84.
- FS Fused. Replaceable. Aids servicing.
- LE With 4-pin electronic Triple Tube amalgam lamp(s). 82 CRI and 10,000 hour life. Consult factory for compatibility with GE 42 watt lamps. 3500°K or consult factory. Specify wattage and color temperature.
- WD Wall Dimmer for use with Option -39. Consult factory for type and quantity required.
- WV Wall wash cross baffle reflector assembly instead.

SUBMITTAL DATA

APPROVAL STAMP

JOB NAME _____

TYPE _____

WATTAGE _____ VOLTAGE _____

CATALOG NUMBER _____

LIMITED WARRANTY: CATALOGUED KIRLIN FIXTURES ARE WARRANTED FREE OF DEFECTS IN WORKMANSHIP OR MATERIAL FOR THREE YEARS FROM DATE OF PURCHASE. INSTALLATION, MAINTENANCE, AND REPAIR ARE THE RESPONSIBILITY OF THE USER. KIRLIN MANUFACTURING COMPANY IS NOT RESPONSIBLE FOR DAMAGE TO OR LOSS OF FIXTURES CAUSED BY IMPROPER INSTALLATION, MAINTENANCE, OR REPAIR. THIS WARRANTY IS VOID IF THE FIXTURE IS REPAIRED OR MODIFIED. KIRLIN MANUFACTURING COMPANY IS NOT RESPONSIBLE FOR DAMAGE TO OR LOSS OF FIXTURES CAUSED BY IMPROPER INSTALLATION, MAINTENANCE, OR REPAIR. THIS WARRANTY IS VOID IF THE FIXTURE IS REPAIRED OR MODIFIED. KIRLIN MANUFACTURING COMPANY IS NOT RESPONSIBLE FOR DAMAGE TO OR LOSS OF FIXTURES CAUSED BY IMPROPER INSTALLATION, MAINTENANCE, OR REPAIR. THIS WARRANTY IS VOID IF THE FIXTURE IS REPAIRED OR MODIFIED.