

MEDICAL EXAM LIGHT: Cool Beam Adjustable

Features

Lamp Assembly

- Designed for:
150 watt (maximum) 24V tungsten halogen T-4 lamp (by others).
- 3000°K color temperature and 100 CRI for accurate tissue rendering and patient evaluation. Rated 500 hour life.
- Bi-pin porcelain socket with silicone leads.
- Yoke assembly tilts 30° and rotates 358°.
- 120 to 24V isolation transformer.

Reflector

- Glass cold mirrored reflector removes heat from light beam.

Trim Assembly

- Self-flanged hydroformed tapered flare trim standard.
- Seamless aluminum construction, with white finish (standard).
- Smooth surface prevents contaminant or dust build-up. Easily cleaned.
- Clear tempered lens.

Housing

- Acrylic black enameled aluminum.
- Cool: Dissipates heat across entire surface area. Ventilated for convection cooling.

- Rustproof. Exceeds 1000 hour ASTM 5% salt spray test.
- Entire luminaire serviced through removable trim assembly.
- Built-in plaster frame.

Outlet Box

- Prewired 14 GA (NEC) galvanized steel, UL listed, with removable insulated cover.
- 1/2" and 3/4" knockouts.

Installation

- 27" galvanized hanger bars supplied (2).
- Fully adjustable universal mounting brackets supplied (4).

- Recesses in floor or outdoor in covered locations.

UL, C-UL (Canada) Listings

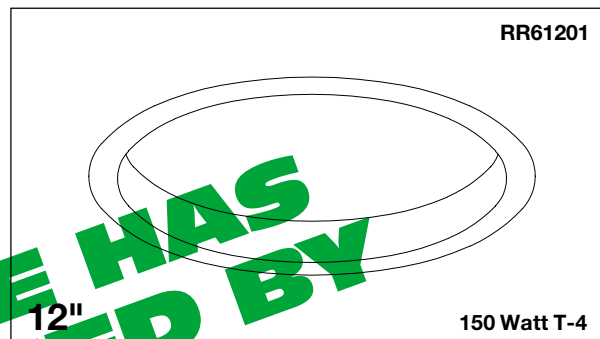
- Wet, damp or dry locations, covered ceilings.
- Through-branch circuit conductors (6#12). Supply wire rating - 90°C.

Three Year Limited Warranty

- Complete standard fixture.

Thermal Protection

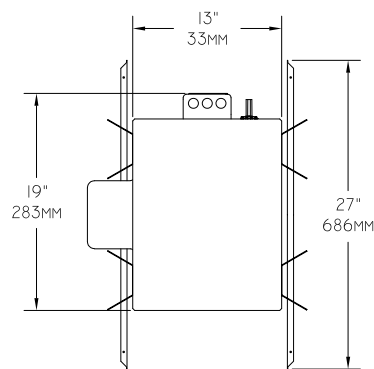
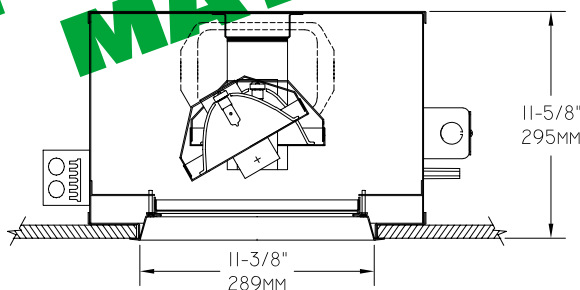
- Per current NEC.



**Adjustable 30° x 360°
Newborn Prep Area / CCU Exam**

THIS FIXTURE HAS BEEN REPLACED BY RR61212 SOME OF OUR FEATURES OR OPTIONS MAY HAVE CHANGED

Dimensions - Installed Fixture



Options

- 10 Tinted lens instead; raises color temperature; reduces CRI and lumen output.
- 26 Tamper-proof nickel stainless door screw; key.
- 32 Trim extender. Broadens trim flange by 1" to cover larger ceiling opening.
- 35 Silver enameled flare finish instead.
- 36 Gold enameled flare finish instead.

- 37 Dark Bronze enameled flare finish instead.
- 38 Black enameled flare finish instead.
- 45 Gasket between trim flange and ceiling. (Minimizes dust streaks on ceiling.)
- 46 Gasket between lens and trim. Minimizes contaminant and dust entry.
- 94 Custom color self-flanged flare trim. Consult factory.

- 99 Special modification. Consult factory.
- LP With lamp. 150 watt frosted T-4 24 volt tungsten halogen. 500 hour life rating.
- OG OptiGroove black seamless tapered aluminum trim assembly with clear tempered lens or specify optional lens. White trim, self-flanged.

THE KIRLIN COMPANY

3401 EAST JEFFERSON AVENUE • DETROIT, MICHIGAN 48207-4232
(313) 259-6400 • Fax: (313) 259-9409 OR (313) 259-3121 • www.kirlinlighting.com

MAXIMUM WATTAGE

CATALOG NUMBER

**TUNGSTEN HALOGEN
HEALTHCARE FACILITY LIGHTING**

150 Watt T-4

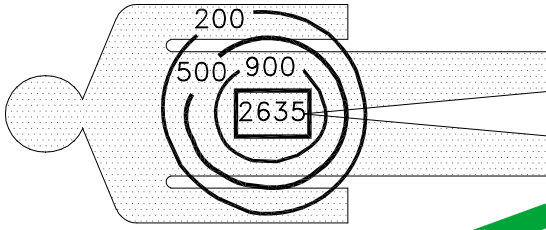
RR61201

DUE TO OUR CONTINUING EFFORT TO IMPROVE PRODUCTS, TECHNICAL INFORMATION IS SUBJECT TO CHANGE WITHOUT NOTICE.

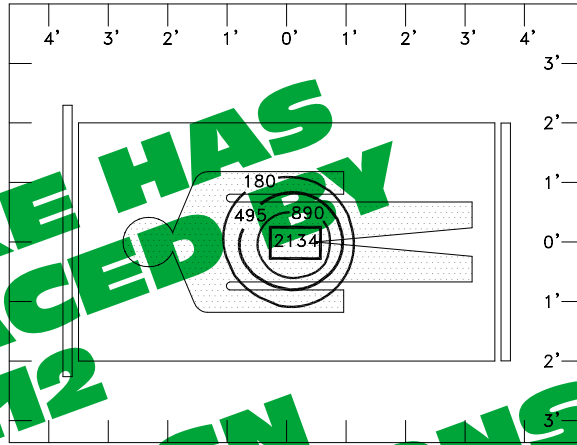
Footcandle Distribution Data

FROM I.T.L. (BOULDER, CO) TEST NUMBER 00000

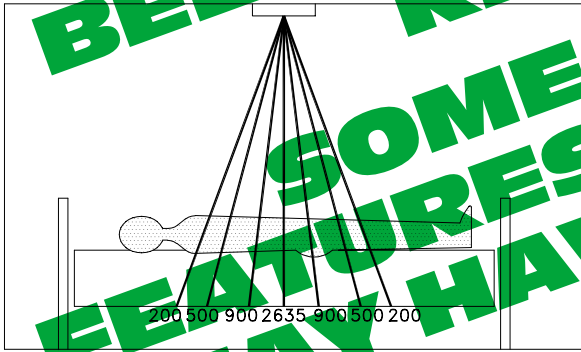
PLAN VIEW CEILING HEIGHT 8' • WORK PLANE 3'6"



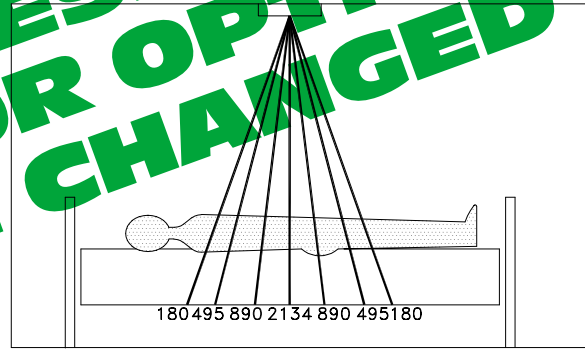
PLAN VIEW CEILING HEIGHT 8'6" • WORK PLANE 3'6"



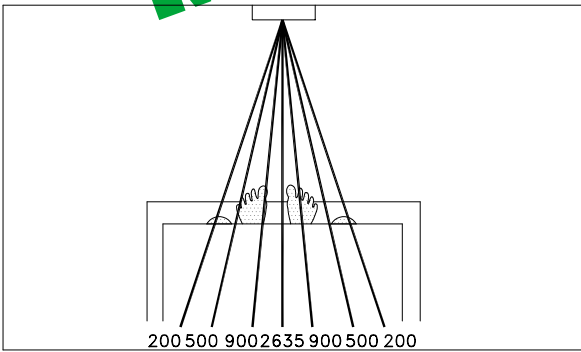
SIDE VIEW



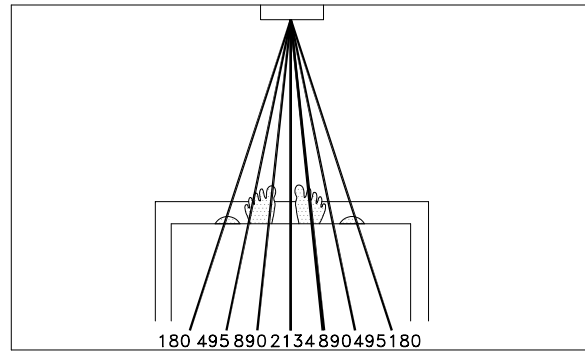
SIDE VIEW



FRONT VIEW



FRONT VIEW



- Notes:
1. All lighting levels are expressed in footcandles, with distances expressed in feet, as measured at the work plane (3'6").
 2. The work plane (3'6") is defined as: examination bed height, plus patient body depth.
 3. Fixture is centered over examination bed with its longest axis parallel to the length of the bed.

SUBMITTAL DATA

JOB NAME _____

TYPE _____

WATTAGE _____ VOLTAGE _____

CATALOG NUMBER _____

APPROVAL STAMP

THIS FIXTURE HAS BEEN REPLACED BY RR01212 SOME DESIGN FEATURES OR OPTIONS MAY HAVE CHANGED

LIMITED WARRANTY: CATALOGUED KIRLIN FIXTURES ARE WARRANTED FREE OF DEFECTS IN WORKMANSHIP OR MATERIAL FOR THREE YEARS FROM DATE OF PURCHASE. INSTALLATION, E.C., IN NORMAL USE. Manufacturer at his option will replace or repair such fixture or refund the purchase price on presentation of proof of purchase and defective fixture at the offices of manufacturer within the ten years of original shipment. Liability of manufacturer is limited to the foregoing, and manufacturer shall not be liable for any other damages, direct or indirect, sustained or suffered by purchaser or any person. This warranty is supplied for the fixture in place of all other warranties, expressed or implied. Seller does not warrant as to merchantability or fitness for a particular use, nor will any oral statement constitute a warranty or amend this specific warranty. Abnormal use, abuse of the fixture, improper installation, or repair or modification of the fixture without prior written authorization from the manufacturer will void the warranty.