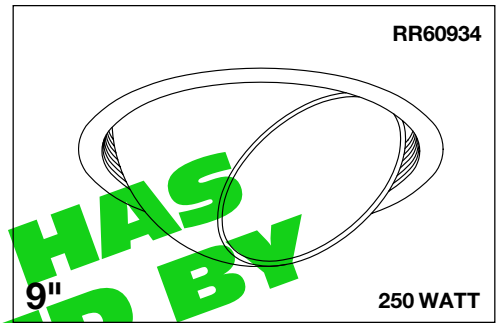


### Healthcare: MRI

#### NON-MAGNETIC CONSTRUCTION FOR MRI USE

Fixture shall be built of non-magnetic materials and suitable for use in M.R.I. (Magnetic Resonance Imaging) Rooms.

Lamp to be suitable for operation on D.C. circuits.



Adjustable Spot or Flood

#### Features

##### Lamp

- Designed for: Q250 Par 38 flood / spot lamps.
- For operation on D.C. circuits.

##### Socket

- Adjustable. Medium base.
- Glazed porcelain.
- Nickel-plated brass screw shell.
- Silicone leads.

##### Eyeball

- Seamless, tapered black OptiGroove with white flange.
- Self-flanged trim.
- Stainless steel springs retain snug fit to ceiling.

##### Housing

- Acrylic enameled aluminum.
- Cool: Dissipates heat across entire surface area.
- Rustproof: Exceeds 1000 hour ASTM 5% salt spray test.
- Entire luminaire serviced through eyeball opening.
- Built-in plaster frame.

##### Outlet Box

- 100% aluminum.

##### Installation

- 27" aluminum channel bar hangers supplied (2).

- Fully adjustable non-magnetic universal mounting brackets supplied (2).

##### UL, C-UL (Canada) Listings

- Wet, damp or dry locations, covered ceilings.
- Through-branch circuit conductors (up to 6#12).

##### Three Year Limited Warranty

- Complete standard fixture.

##### Thermal Protection

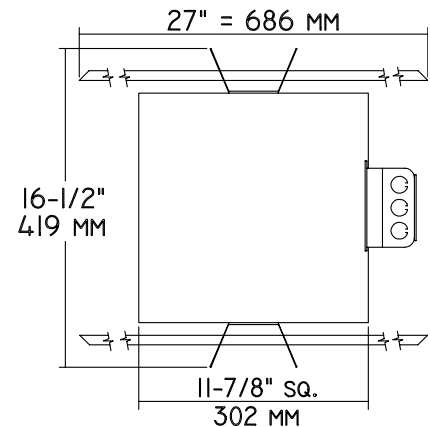
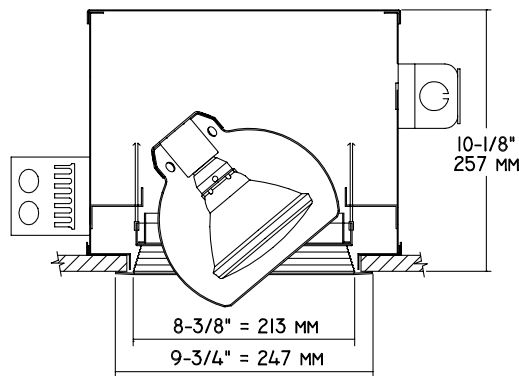
- Per current NEC.

THIS FIXTURE HAS BEEN REPLACED BY RR60936 SOME DESIGN CHANGES MAY HAVE OCCURRED

NOT RESTRICTED TO END-OF-RUN USE

#### Performance at a Glance

RR60934



## THE KIRLIN COMPANY

3401 EAST JEFFERSON AVENUE • DETROIT, MICHIGAN 48207-4232  
(313) 259-6400 • Fax: (313) 259-9409 OR (313) 259-3121

LAMP

MAXIMUM WATTAGE

CATALOG NUMBERS

MRI INCANDESCENT  
HEALTHCARE LIGHTING

Q250 PAR38

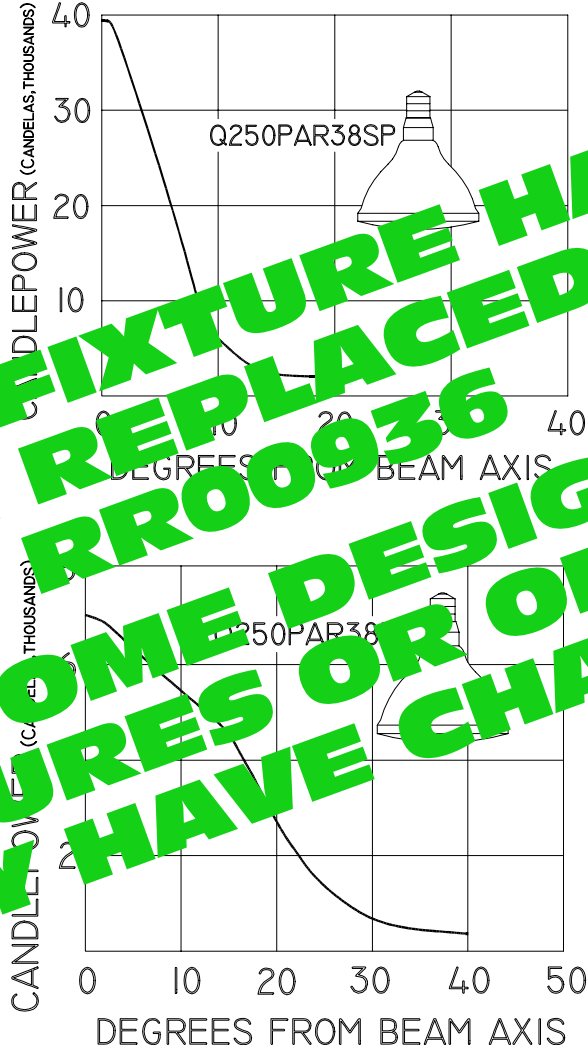
250

RR60934

THE KIRLIN COMPANY RESERVES THE RIGHT TO CHANGE, WITHOUT NOTICE, DETAILS OR SPECIFICATIONS IN PRODUCT DESIGN.

**Performance at a Glance**

FROM I.T.L. (BOULDER, CO)



**THIS FIXTURE HAS BEEN REPLACED BY RR00936**

**SOME DESIGN FEATURES OR OPTIONS MAY HAVE CHANGED**

**Options**

- 40 White grooveless flare trim assembly instead.
- 45 Gasket between trim flange and ceiling. (Minimizes dust streaks on ceiling.)
- 94 Custom color eyeball, OptiGroove and / or flange. Consult factory.
- 99 Special modification. Consult factory.
- FT Flat white trim instead.

**SUBMITTAL DATA**

**APPROVAL STAMP**

JOB NAME \_\_\_\_\_

TYPE \_\_\_\_\_

WATTAGE \_\_\_\_\_ VOLTAGE \_\_\_\_\_

CATALOG NUMBER \_\_\_\_\_

\_\_\_\_\_

LIMITED WARRANTY: CATALOGED KIRLIN FIXTURES ARE WARRANTIED FREE OF DEFECTS IN WORKMANSHIP OR MATERIAL FOR THREE YEARS FROM DATE OF PURCHASE. INSTALL TO N.E.C. IN NORMAL USE. Manufacturer at his option will replace or repair such fixture or refund the purchase price on presentation of proof of purchase and defective fixture at the offices of manufacturer within three years of original shipment. Liability of manufacturer is limited to the foregoing, and manufacturer shall not be liable for any other damages, direct or indirect, sustained or suffered by purchaser or any person. This warranty is supplied to the buyer in place of all other warranties, expressed or implied. Seller does not warrant as to merchantability or fitness for a particular use, nor will any oral statement constitute a warranty or amend this specific warranty. Abnormal use, abuse of the fixture, improper installation, or repair, or modification of the fixture without prior written authorization by the manufacturer will void the warranty only.