

### MEDICAL EXAM LIGHT:

Long Life 4000 Hour  
500 Watt Adjustable

#### Features

##### Lamp Assembly

- Designed for: 500 watt (maximum) 4000 hour tungsten halogen lamp (by others).
- Long life (4000 hour) PAR 56 lamp reduces likelihood of total light loss during exams or procedures. Compare to fixtures using 500 watt T-4 lamps (only 2000 hours).
- Tilts 90° for relamping.
- Safety tempered prismatic C#73 flat glass reduces glare to the patient by eliminating direct view of lamp and provides protective lamp shield.
- 3000°K color temperature and 100 CRI for accurate tissue rendering and patient evaluation.

##### Socket Assembly

- Rotates, tilts and locks: 360° x 30°.
- Porcelain mogul end-prong socket.

##### Reflector

- Self-flanged parabolic specular Alzak®.
- Highly polished to produce ultra low brightness and maximum visual comfort for patient.

##### Housing

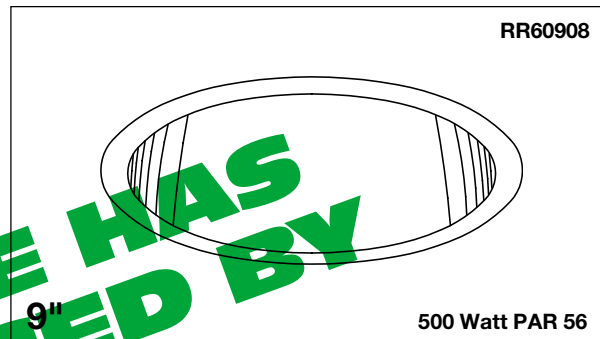
- Acrylic enameled aluminum.
- Cool. Dissipates heat across entire surface area. Ventilated for convection cooling.
- Rustproof: Exceeds 1000 hour ASTM 5% salt spray test.
- Entire luminaire serviced through removable reflector.
- Built-in plaster frame.

##### Outlet Box

- Prewired 14GA (NEC) galvanized steel, UL listed, with removable insulated cover.
- 1/2" and 3/4" knockouts.

##### Installation

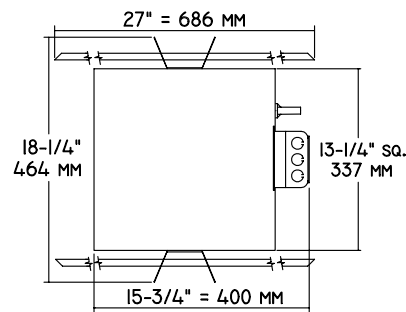
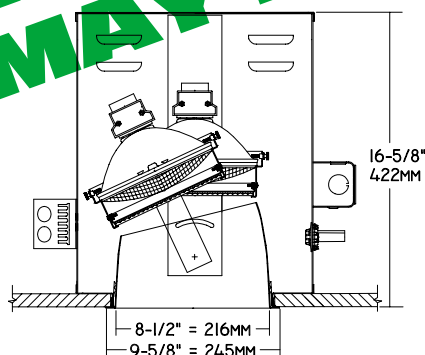
- Label provided to ensure proper lamp



63% Efficiency

- installation relative to bed orientation.
- 27" galvanized hanger bars supplied (2).
- Fully adjustable universal mounting brackets supplied (4).
- Recesses indoor or outdoor in covered locations. Lightweight, 15 pounds.
- **UL, C-UL (Canada) Listings**
- Wet, damp or dry locations, covered ceilings.
- Through-branch circuit conductors (6#12). Supply wire rating - 90°C.
- **Three Year Limited Warranty**
- Complete standard fixture.
- **Thermal Protection**
- Per current NEC.

#### Dimensions - Installed Fixture



#### Options

- |   |  |   |
|---|--|---|
| <ul style="list-style-type: none"> <li>-30 White self-flanged reflector.</li> <li>-31 White flange (only) on Alzak reflector.</li> <li>-32 Trim extender. Broadens trim flange O.D. by 1".</li> <li>-45 Gasket above reflector flange. (Minimizes dust streaks on ceiling.)</li> <li>-63 Dune specular Alzak self-flanged reflector.</li> <li>-69 Wheat specular Alzak self-flanged reflector.</li> </ul> | <ul style="list-style-type: none"> <li>-70 Softex Clear softly etched self-flanged reflector.</li> <li>-71 Softex Dune softly etched self-flanged reflector.</li> <li>-79 Extension collar for up to 2" thick ceiling.</li> <li>-90 Softex Champagne Gold softly etched self-flanged reflector.</li> <li>-91 Softex Wheat softly etched self-flanged reflector.</li> </ul> | <ul style="list-style-type: none"> <li>-93 Pewter specular Alzak self-flanged reflector.</li> <li>-94 Specular or Softex custom color self-flanged reflector. Consult factory.</li> <li>-LP With lamp. 500 watt PAR 56 flood tungsten halogen. 4000 hour life rating.</li> <li>-OG OptiGroove black seamless tapered aluminum. White trim, self-flanged.</li> </ul> |
|---|--|---|

## THE KIRLIN COMPANY

3401 EAST JEFFERSON AVENUE • DETROIT, MICHIGAN 48207-4232  
(313) 259-6400 • Fax: (313) 259-9409 OR (313) 259-3121 • www.kirlinlighting.com

MAXIMUM WATTAGE

CATALOG NUMBER

TUNGSTEN HALOGEN  
HEALTHCARE FACILITY LIGHTING

500 PAR 56

RR60908

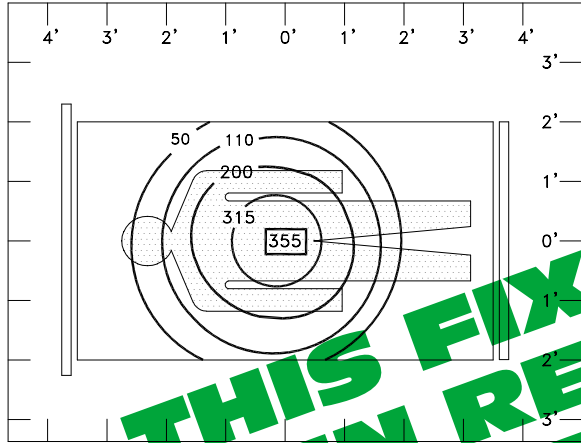
DUE TO OUR CONTINUING EFFORT TO IMPROVE PRODUCTS, TECHNICAL INFORMATION IS SUBJECT TO CHANGE WITHOUT NOTICE.

Alzak® is a registered trademark of ALCOA.

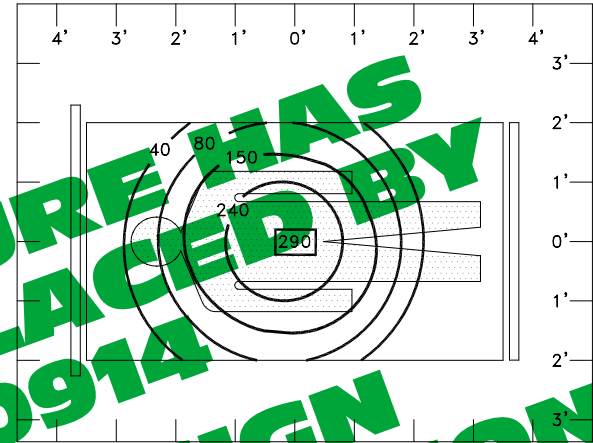
### Footcandle Distribution Data

FROM I.T.L. (BOULDER, CO) TEST NUMBER 00000

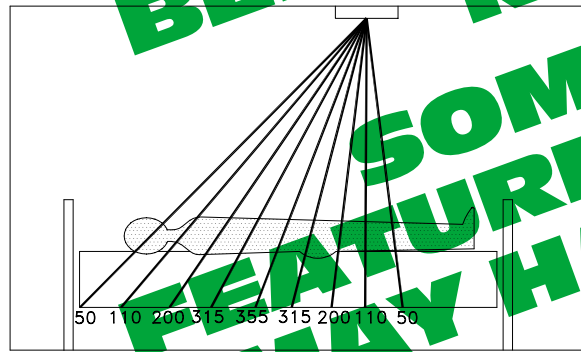
PLAN VIEW CEILING HEIGHT 8' • WORK PLANE 3'6"



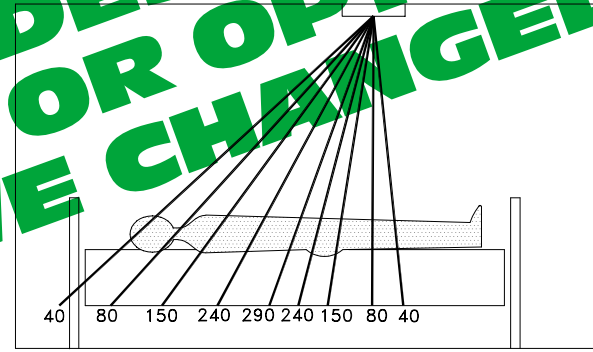
PLAN VIEW CEILING HEIGHT 8'6" • WORK PLANE 3'6"



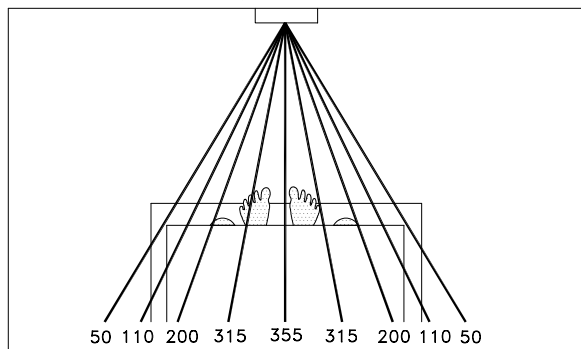
SIDE VIEW



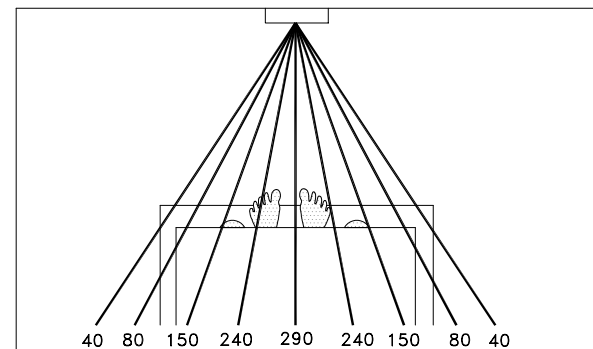
SIDE VIEW



FRONT VIEW



FRONT VIEW



- Notes:
1. All lighting levels are expressed in footcandles, with distances expressed in feet, as measured at the work plane (3'6").
  2. The work plane (3'6") is defined as: examination bed height, plus patient body depth.
  3. Fixture is centered over examination bed with its longest axis parallel to the length of the bed.

THIS FIXTURE HAS BEEN REPLACED BY RR0914 SOME DESIGN FEATURES OR OPTIONS MAY HAVE CHANGED

### SUBMITTAL DATA

### APPROVAL STAMP

JOB NAME \_\_\_\_\_

TYPE \_\_\_\_\_

WATTAGE \_\_\_\_\_ VOLTAGE \_\_\_\_\_

CATALOG NUMBER \_\_\_\_\_

LIMITED WARRANTY: CATALOGED KIRLIN FIXTURES ARE WARRANTED FREE OF DEFECTS IN WORKMANSHIP OR MATERIAL FOR THREE YEARS FROM DATE OF PURCHASE. INSTALLATION, E.C., IN NORMAL USE. Manufacturer at his option will replace or repair such fixture or refund the purchase price on presentation of proof of purchase and defective fixture at the offices of manufacturer within the first year of original shipment. Liability of manufacturer is limited to the foregoing, and manufacturer shall not be liable for any other damages, direct or indirect, sustained or suffered by purchaser or any person. This warranty is supplied for the fixture in place of all other warranties, expressed or implied. Seller does not warrant as to the condition of the fixture, and manufacturer shall not be liable for any oral statement, constitute a warranty or amend this specific warranty. Abnormal use, abuse of the fixture, improper installation, or repair or modification of the fixture without prior written authorization from the manufacturer will void the warranty void.