

MEDICAL EXAM LIGHT: For Precise, Directed Lighting During Exams or Procedures

Features

Lamp Assembly

- Designed for:
 - 1 vertical Q250 watt (max.) tungsten halogen T-4 frosted lamp (by others).
- 3000°K color temperature and 100 CRI for accurate tissue rendering and patient evaluation. Rated 2000 hour life.
- Double contact bayonet base (DCB) socket is mounted to precision machined aluminum heat sink to reduce lamp and socket heat, providing maximum lamp and component life.
- Additional heavy gauge die-formed aluminum heat sink bracket conducts heat efficiently away from lamp and socket area.
- Dimmable (controls by others).

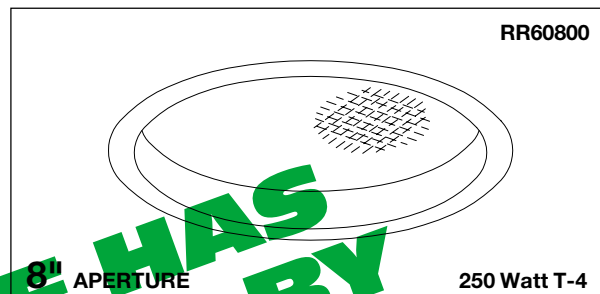
Reflector

- Parabolic specular Alzak® reflector focuses light precisely, providing maximum usable lumens to the exam site.

Trim Assembly

- Self-flanged hydroformed seamless tapered aluminum flare trim with white finish (std.).
- Smooth surface prevents contaminant or

- dust build-up. Easily cleaned.
 - Trim contains regressed safety tempered prismatic C#73 flat glass or optional Fresnel (-FR). Reduces glare to the patient by eliminating direct view of lamps and provides protective lamp shield.
 - Torsion springs retain snug fit to ceiling.
- ##### Housing
- Acrylic enameled aluminum.
 - Cool: Dissipates heat across entire surface area. Ventilated for convection cooling.
 - Rustproof: Exceeds 1000 hour ASTM 5% salt spray test.
 - Entire furniture serviced through removable trim assembly.
 - 2" mounting collar permits thicker ceiling installations. Built-in plaster frame.



8" APERTURE 250 Watt T-4
61% Efficiency: High Lumen Output - Dimmable

Outlet Box

- Prewired 14GA (NEC) galvanized steel, UL listed; with removable insulated cover
- 1/2" and 3/4" knockouts.

Installation

- 27" galvanized hanger bars supplied (2).
- Fully adjustable universal mounting brackets supplied (2).
- Recesses indoor or outdoor in covered locations. Lightweight, 7 pounds.

UL, C-UL (Canada) Listings

- Wet, damp or dry locations, covered ceilings.
- Through-branch circuit conductors (6 #12). Supply wire rating - 90°C.

Three Year Limited Warranty

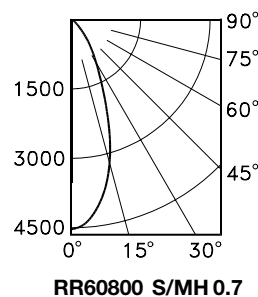
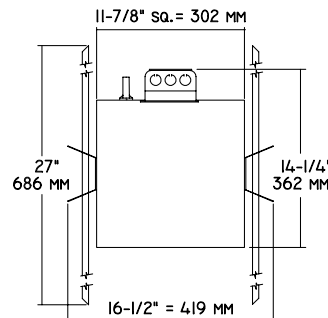
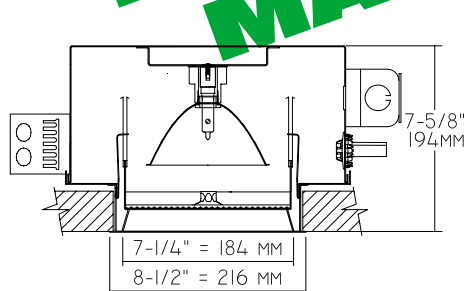
- Complete standard fixture.

Thermal Protection

- Per current NEC.

Dimensions and Performance - Installed Fixture

FROM I.T.L. (BOULDER, CO) TEST NUMBER 44750



CANDLEPOWER DISTRIBUTION					
	0.0	22.5	45.0	67.5	90.0
0	4511	4511	4511	4511	4511
5	4351	4351	4351	4351	4351
15	3209	3209	3209	3209	3209
25	1709	1709	1709	1709	1709
35	679	679	679	679	679
45	269	269	269	269	269
55	136	136	136	136	136
65	85	85	85	85	85
75	30	30	30	30	30
85	7	7	7	7	7
90	0	0	0	0	0

Options

- 32 Trim extender. Broadens trim flange by 1" to cover larger ceiling opening.
- 35 Silver enameled flare finish instead.
- 36 Gold enameled flare finish instead.
- 37 Dark Bronze enameled flare finish instead.
- 38 Black enameled flare finish instead.
- 45 Gasket between trim flange and ceiling. (Minimizes dust streaks on ceiling.)
- 46 Gasket between lens and trim. Minimizes contaminant and dust entry.
- 82 Sloped ceiling adapter. Specify slope in 5° increments up to 30°.
- 94 Custom color flare trim. Consult factory.
- 99 Special modification. Consult factory.
- FR Fresnel tempered lens instead.
- LP With lamp. 250 watt frosted T-4 DCB base tungsten halogen. 2000 hour life rating.
- OG OptiGroove black seamless tapered aluminum trim assembly with C#73 flat lens or specify optional lens. White trim, self-flanged.
- TA Top access modification for servicing from above.

THE KIRLIN COMPANY

3401 EAST JEFFERSON AVENUE • DETROIT, MICHIGAN 48207-4232
(313) 259-6400 • Fax: (313) 259-9409 OR (313) 259-3121 • www.kirlinlighting.com

MAXIMUM WATTAGE

CATALOG NUMBER

TUNGSTEN HALOGEN
HEALTHCARE FACILITY LIGHTING

250 Watt T-4

RR60800

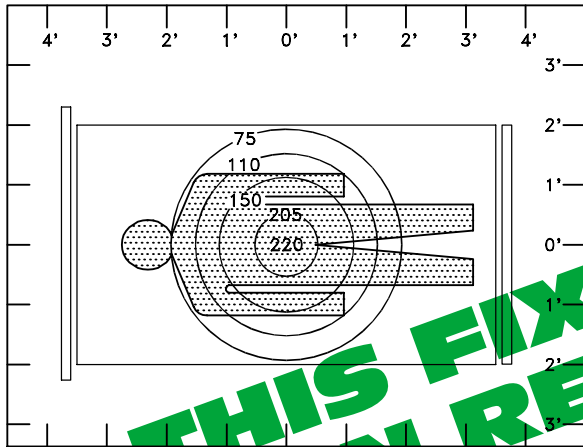
DUE TO OUR CONTINUING EFFORT TO IMPROVE PRODUCTS, TECHNICAL INFORMATION IS SUBJECT TO CHANGE WITHOUT NOTICE.

Alzak® is a registered trademark of ALCOA.

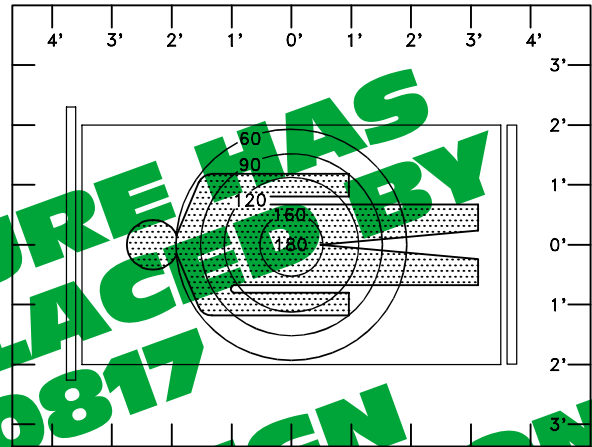
Footcandle Distribution Data

FROM I.T.L. (BOULDER, CO) TEST NUMBER 44750

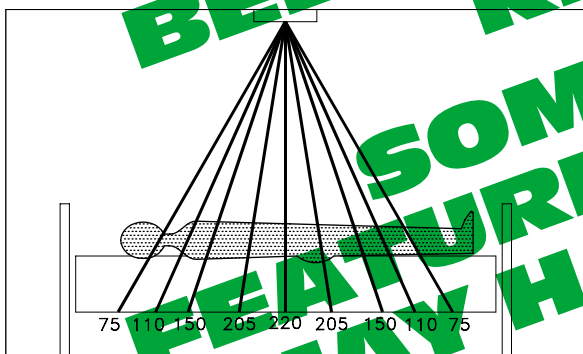
PLAN VIEW CEILING HEIGHT 8' • WORK PLANE 3'6"



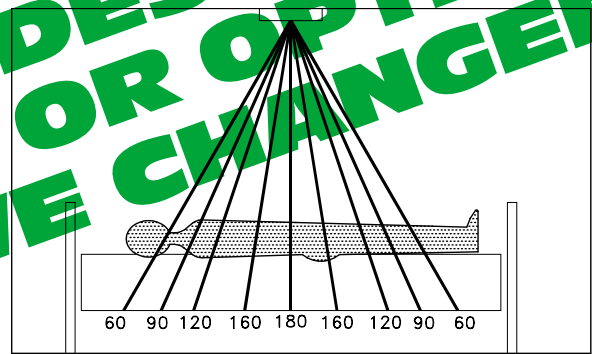
PLAN VIEW CEILING HEIGHT 8'6" • WORK PLANE 3'6"



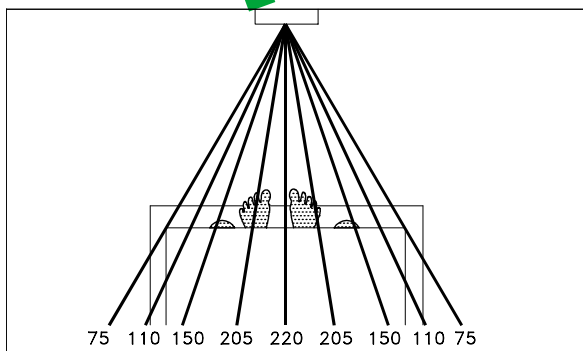
SIDE VIEW



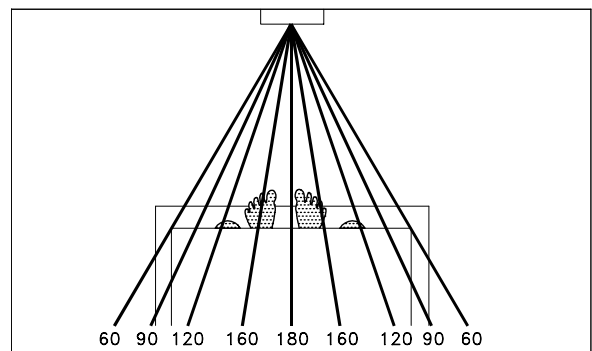
SIDE VIEW



FRONT VIEW



FRONT VIEW



- Notes:
1. All lighting levels are expressed in footcandles, with distances expressed in feet, as measured at the work plane (3'6").
 2. The work plane (3'6") is defined as: examination bed height, plus patient body depth.
 3. Fixture is centered over examination bed.

THIS FIXTURE HAS BEEN REPLACED BY RR00817

SOME DESIGN FEATURES OR OPTIONS MAY HAVE CHANGED

SUBMITTAL DATA

APPROVAL STAMP

JOB NAME _____

TYPE _____

WATTAGE _____ VOLTAGE _____

CATALOG NUMBER _____

LIMITED WARRANTY: CATALOGUED KIRLIN FIXTURES ARE WARRANTED FREE OF DEFECTS IN WORKMANSHIP OR MATERIAL FOR THREE YEARS FROM DATE OF PURCHASE. INSTALLATION, ETC., IS NOT NORMAL USE. MANUFACTURER AT HIS OPTION WILL REPAIR OR REPLACE SUCH FIXTURE OR RETURN THE PURCHASE PRICE ON PRESENTATION OF PROOF OF PURCHASE AND DEFECTIVE FIXTURE AT THE OFFICE OF MANUFACTURER WITHIN THE YEAR OF ORIGINAL SHIPMENT. LIABILITY OF MANUFACTURER IS LIMITED TO THE FOREGOING, AND MANUFACTURER SHALL NOT BE LIABLE FOR ANY DAMAGES, DIRECT OR INDIRECT, SUSTAINED OR SUFFERED BY PURCHASER OR ANY PERSON. THIS WARRANTY IS SUPPLIED FOR THE EXCLUSIVE PLACE OF ALL OTHER WARRANTIES, EXPRESSED OR IMPLIED. SELLER DOES NOT WARRANT AS TO THE RELIABILITY OF FITNESS FOR A PARTICULAR USE, NOR WILL ANY ORAL STATEMENT CONSTITUTE A WARRANTY OR AMEND THIS SPECIFIC WARRANTY. ABNORMAL USE, ABUSE OF THE FIXTURE, IMPROPER INSTALLATION, OR REPAIR OR MODIFICATION OF THE FIXTURE WITHOUT PRIOR WRITTEN AUTHORIZATION FROM THE MANUFACTURER WILL VOID THE WARRANTY.