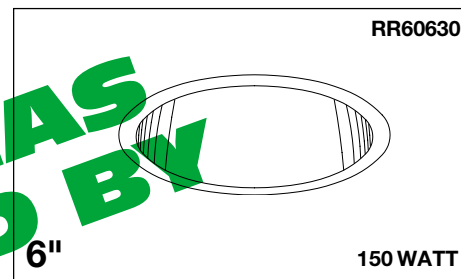


### Healthcare: MRI

#### NON-MAGNETIC CONSTRUCTION FOR MRI USE

Fixture shall be built of non-magnetic materials and suitable for use in M.R.I. (Magnetic Resonance Imaging) Rooms.

Lamp to be suitable for operation on D.C. circuits.



Downlight Illumination

#### Features

##### Lamp

- Designed for 150 watt (maximum) frosted A21 lamp
- For operation on D.C. circuits.

##### Socket

- Vertical. Medium base.
- Glazed porcelain.
- Nickel-plated brass screw shell. Silicone leads.

##### Reflector

- Self-flanged compound curved specular Alzak® aluminum.
- Ten optional self-flanged colors and finishes available. See Options.
- Wall wash reflector available. See Options.

##### Housing

- Acrylic enameled 100% aluminum.
- Rustproof. Exceeds 1000 hour ASTM 5% salt spray test.
- Cool: Dissipates heat across entire surface area.
- Entire luminaire visible and serviceable from below through removable reflector.
- Built-in plaster frame. Also see Option -79.

##### Outlet Box

- 100% aluminum.

##### Installation

- 27" aluminum channel bar hangers supplied (2).

- Fully adjustable non-magnetic universal mounting brackets supplied (2).

##### UL, C-UL (Canada) Listings

- Wet, damp or dry locations, covered ceilings.
- Through-branch circuit conductors (up to 6#12).

##### Three Year Limited Warranty

- Complete standard fixture.

##### Thermal Protection (Per Current NEC)

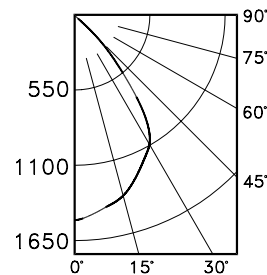
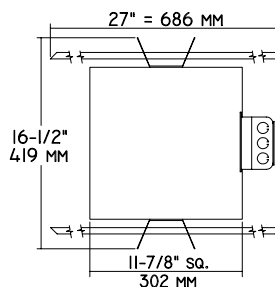
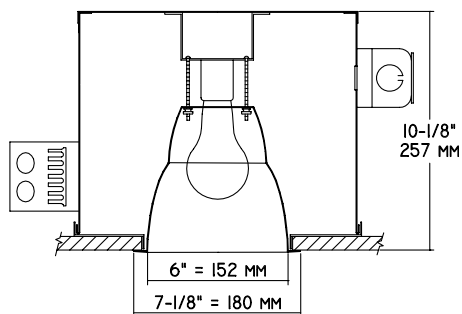
- Thermal protector included which provides automatic cut-off if rated temperature is exceeded. (Insulation related)

THIS FIXTURE HAS BEEN REPLACED BY RR600626 SOME DESIGN FEATURES OR OPTIONS MAY HAVE CHANGED

NOT RESTRICTED TO END-OF-RUN USE

#### Performance at a Glance

RR60630



##### Cone of Light\*

Ft.	FC	Dia.
6	42.5	6.2
8	23.9	8.2
10	15.3	10.3
12	10.6	12.3
14	7.8	14.4
16	6.0	16.4

RR60630

##### Cone of Light Key

- Ft. Mounting height
- FC Footcandles
- Dia. Circle of light at 50% of FC

\* Dia. (in ft.) shown is where FC value is half the FC at nadir.

## THE KIRLIN COMPANY

3401 EAST JEFFERSON AVENUE • DETROIT, MICHIGAN 48207-4232  
(313) 259-6400 • Fax: (313) 259-9409 OR (313) 259-3121

LAMP

MAXIMUM WATTAGE

CATALOG NUMBER

MRI INCANDESCENT  
HEALTHCARE LIGHTING

A21

150

RR60630

THE KIRLIN COMPANY RESERVES THE RIGHT TO CHANGE, WITHOUT NOTICE, DETAILS OR SPECIFICATIONS IN PRODUCT DESIGN.

Alzak® is a registered trademark of ALCOA.

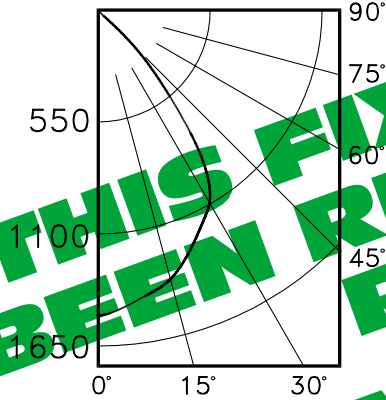
### Detailed Photometry - Installed Fixture

FROM I.T.L. (BOULDER, CO) TEST NUMBER 39148

RR60630

#### CANDLEPOWER DISTRIBUTION

	0.0	45.0	90.0	135.0	180.0
0	1529	1529	1529	1529	1529
5	1499	1499	1499	1499	1499
15	1377	1377	1377	1377	1377
30	1206	1206	1206	1206	1206
45	870	870	870	870	870
55	193	193	193	193	193
65	10	10	10	10	10
85	0	0	0	0	0
90	0	0	0	0	0



S/MH 1.1  
EFFICIENCY = 62.9%

#### COEFFICIENT OF UTILIZATION

FC	0	50	100	10	50	100
1	71	69	68	66	65	64
2	67	64	62	59	61	59
3	64	59	56	54	57	54
4	60	55	51	49	53	50
5	57	51	47	44	49	46
6	54	48	44	41	46	43
7	51	44	40	38	43	40
8	48	42	38	35	40	37
9	45	39	35	32	38	34
10	43	37	33	30	36	30

#### Estimated Multipliers

-16 Champagne Gold Alzak®: CP x .90

### Options

- 16 Champagne Gold anodized Alzak reflector. (CP x .90)
- 31 White flange on reflector.
- 45 Gasket between trim and ceiling. (Minimizes dust streaks on ceiling.)
- 94 Custom color reflector or flange. Consult factory.
- 99 Special modification. Consult factory.
- WW Wall wash specular Alzak reflector instead. 360° adjustment.

### SUBMITTAL DATA

JOB NAME \_\_\_\_\_

TYPE \_\_\_\_\_

WATTAGE \_\_\_\_\_ VOLTAGE \_\_\_\_\_

CATALOG NUMBER \_\_\_\_\_

\_\_\_\_\_

### APPROVAL STAMP