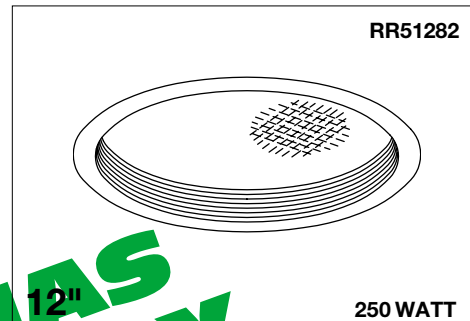


Attractive Regressed Lens Design for Lobby or Mall



Features

Lamp

- Designed for: 250 watt coated ED/BT-28 metal halide horizontal lamp (by others).
- See Option -43 for lower wattage.
- Option -23 Mercury; Option -24 HPS.

Socket

- Horizontal. Mogul base.
- Glazed porcelain.
- Nickel-plated brass screw shell. Silicone leads.

Reflector

- Specular Alzak® aluminum.

Trim Assembly

- Seamless tapered black OptiGroove with white flange.
- Self-flanged trim.
- Torsion springs retain snug fit to ceiling.
- UV absorbing tempered prismatic low brightness O#73 flat glass.
- Optional trims available: See Options -40 and -FT.
- Optional lenses available: See Options -27, -FR, -HO and -IN.

Ballast Assembly

- WhisperPack™ fully encapsulated 180°C rated HPF ballast.
- Premium Class H; CWA-10:9 regulation

- Capacitor supplied.
- 120 volt standard or see optional voltages.
- Cool, quiet, long-life. Silicone leads.
- Visible and easily serviced in all ceilings including dry wall.

Fuse

- Fused primary. Renewable. Aids servicing.

Housing

- Acrylic enameled aluminum.
- Cool. Dissipates heat across entire surface area.
- Rustproof: Exceeds 1000 hour ASTM 5% salt spray test.
- Entire luminaire serviced through removable trim assembly.
- For top access see Option -TA.
- Built-in plaster frame.

Outlet Box

- Prewired 14 GA (NEC) galvanized steel. UL listed; with removable insulated cover.
- 1/2" and 3/4" knockouts.

Installation

- 27" galvanized hanger bars supplied (2).
- Fully Adjustable universal mounting brackets supplied (2).
- Recesses indoor or outdoor in covered locations.

Shallow Recessed Depth
Ideal for Large Public Spaces

"Look-Alike" Ceiling Appearance
Coordinates with All Sources from Kirlin

UL, C-UL (Canada) Listings

- Wet, damp or dry locations, covered ceilings.
- Through-branch circuit conductors (6 #12).

Three Year Limited Warranty

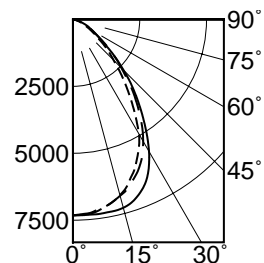
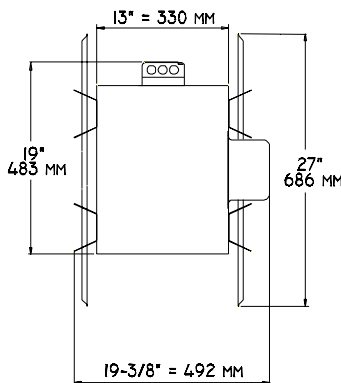
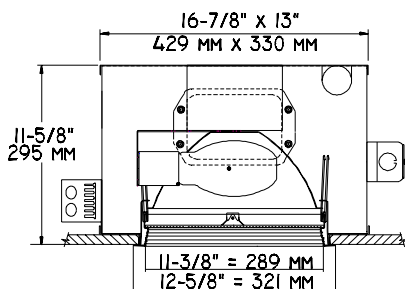
- Complete standard fixture.

Thermal Protection

- Per current NEC.

Performance at a Glance

RR51282



--- 0° S/MH 1.1
 ——— 90° S/MH 1.2
 - - - 180° S/MH 1.1

Cone of Light*

Ft.	FC	Dia.
6	203.3	6.7
8	114.3	9.0
10	73.2	11.2
12	50.8	13.5
14	37.3	15.7
16	28.6	18.0

Cone of Light Key

Ft. Distance from fixture
FC Footcandles (average)
Dia. Circle of light at 50% of FC
 * Dia. (in ft.) shown is where FC value is half the FC at nadir.

Distribution curve and S/MH data shown are 90° to lamp axis.

THE KIRLIN COMPANY

3401 EAST JEFFERSON AVENUE • DETROIT, MICHIGAN 48207-4232
 (313) 259-6400 • Fax: (313) 259-9409 OR (313) 259-3121

LAMP

MAXIMUM WATTAGE

CATALOG NUMBER

**HIGH EFFICIENCY
 METAL HALIDE LIGHTING**

ED/BT-28

250

RR51282

THE KIRLIN COMPANY RESERVES THE RIGHT TO CHANGE, WITHOUT NOTICE, DETAILS OR SPECIFICATIONS IN PRODUCT DESIGN.

Alzak® is a registered trademark of ALCOA.

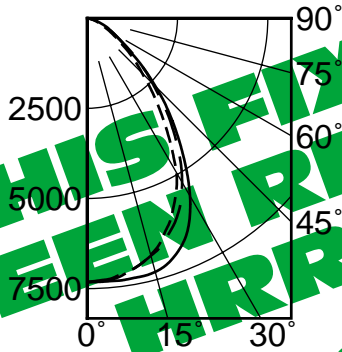
Detailed Photometry - Installed Fixture

FROM ITL (BOULDER, CO) TEST NUMBER 49083

RR51282

*LER = 41.3

•AEC = \$5.82



--- 0° S/MH 1.1
 --- 90° S/MH 1.2
 --- 180° S/MH 1.1
 EFFICIENCY = 62.4%

CANDLEPOWER DISTRIBUTION

	0.0	45.0	90.0	135.0	180.0
0	7318	7318	7318	7318	7318
5	7283	7308	7320	7271	7259
15	6794	7051	7283	7014	6819
25	5695	6171	6550	6159	5963
35	3886	4301	4631	4497	4375
55	2151	2334	2676	2578	2566
75	1075	1185	1210	1344	1246
90	489	538	623	623	635
105	147	196	244	232	220
120	24	24	24	24	24
135	0	0	0	0	0

COEFFICIENTS OF UTILIZATION

RF	RC	70	50	30	50	30	10
1	70	67	65	64	63	62	61
2	65	61	58	55	58	55	53
3	60	55	51	48	53	49	47
4	56	50	46	42	48	44	42
5	52	46	41	38	44	40	37
6	49	42	37	34	40	37	34
7	46	39	34	31	37	33	31
8	43	36	31	28	35	31	28
9	41	33	29	26	32	28	26
10	38	31	27	24	30	26	24

* LER = Luminaire Efficacy Rating
 LER = Luminaire Efficacy x Total Lamp Lumens x Ballast Factor
 Input Watts
 * AEC = Annual Energy Cost per 1000 lumens
 (based on 3000 hours use @ \$0.08 KWH).

THIS FIXTURE HAS BEEN REPLACED BY HIR-11073-PR SOME DESIGN FEATURES OR OPTIONS MAY HAVE CHANGED

Options

- 23 Mercury ballast instead. 250MO standard or see Option -43. Specify voltage.
- 24 HPS ballast instead. 250MO standard or see Option -43. Specify voltage.
- 26 Tamper-proof trim. Flush recessed hex screws with center pin secure trim to housing. Continuous ring and four screws secure lens. One key provided per ten fixtures. Also see Option -27.
- 27 Clear 1/4" tempered glass beneath tempered prismatic C#73 flat glass lens for vandal resistance. Also see Option -26.
- 32 Trim extender. Broadens trim flange O.D. by 1".
- 40 White grooveless flare trim instead. With regressed tempered C#73 spread lens or specify optional lens. Also available with Option -26 Tamper-proof trim.
- 43 Lower wattage mogul base - specify wattage and voltage for: Metal Halide: 175MO; Mercury: 175MO; HPS: 150MO.
- 45 Gasket between trim and ceiling.
- 46 Gasket between trim and lens.
- 49 Extra circuit DCB socket. (150 watt max.) Must not be energized simultaneously with main source.
- 58 277 volt 60 Hz. ballast instead.
- 65 Standby relay and DCB socket. (150 watt max.) With fixture energized, provides immediate light during HID outage. Also see Option -66.
- 66 Time delay relay and DCB socket. (150 watt max.) When energized, provides light until HID reaches 70% output.
- 94 Custom color trim assembly. Consult factory.
- 97 Other voltage ballast. Consult factory.
- 99 Special modification. Consult factory.
- FR Fresnel tempered lens instead. Concentric prisms.
- FT Flat white trim instead. Standard with UV absorbing tempered prismatic glass or add Option -27, -FR, or -HO.
- HL High to Low light output. Provides 100% to 50% bi-level lighting. 120V or 277V only for 250MH, 175MH, 250HPS, 150HPS. Requires separate control circuit.
- HO Holophane concave lens instead.
- LP With lamp. Specify source, wattage, color temperature, and clear or coated (3200°K coated lamp standard for MH). Consult factory for other color temperatures.
- LS With tungsten halogen standby lamp. (150 watt max.) Use only with Options -49, -65 or -66.
- TA Top Access modification for servicing from above ceiling.

SUBMITTAL DATA

APPROVAL STAMP

JOB NAME _____

TYPE _____

WATTAGE _____ VOLTAGE _____

CATALOG NUMBER _____

LIMITED WARRANTY: CATALOGUED KIRLIN FIXTURES ARE WARRANTED FREE OF DEFECTS IN WORKMANSHIP OR MATERIAL FOR THREE YEARS FROM DATE OF PURCHASE. INSTALLED TO N.E.C. IN NORMAL USE. Manufacturer at his option will replace or repair such fixture or refund the purchase price on presentation of proof of purchase and defective fixture at the offices of manufacturer within three years of original shipment. Liability of manufacturer is limited to the foregoing, and manufacturer shall not be liable for any other damages, direct or indirect, sustained or suffered by purchaser or any person. This warranty is supplied to the buyer in place of all other warranties, expressed or implied. Seller does not warrant as to merchantability or fitness for a particular use, nor will any oral statement constitute a warranty or amend this specific warranty. Abnormal use, abuse of the fixture, improper installation, or repair, or modification of the fixture without prior written authorization from the manufacturer will render the warranty void.