

FOR POURED CONCRETE CEILINGS

TAMPER-PROOF VANDAL RESISTANT
55% EFFICIENCY

9"

Features

Lamp

- 100 watt clear E/ED-17 universal.
- See Option -43 for optional lower wattage.
- Option -23 for Mercury, Option -24 for HPS.

Socket

- Horizontal. Medium base pulse rated.
- Glazed porcelain.
- Nickel-plated brass screw shell. Silicone leads.

Reflector

- Specular Alzak® aluminum.

Trim Assembly

- Tamper-resistant, seamless tapered black OptiGroove with white flange.
- Flush recessed hex screws with center pin secure trim to captive nuts in housing.
- Lens combines C#73 tempered prismatic glass with 1/4" clear tempered glass below for added tamper-resistance. Fully gasketed.
- Continuous ring and four screws secure lens.
- See Options for additional lens selection.

Ballast Assembly

- Core and coil HPF 180°C ballast.
- Premium Class H high reactance with 5:12 regulation.
- Capacitor and ignitor supplied.
- 120 volt standard or see optional voltages.
- Cool, quiet, long-life. Silicone leads.
- Visible and easily serviced.

Fuse

- Fused primary. Renewable. Aids servicing.

Housing

- 16 GA. galvanized steel, red oxide rustproof primer coat with black enamel finish.
- Entire luminaire serviced through removable trim assembly.

Outlet Box

- Prewired 14 GA (NEC) galvanized steel, UL listed.
- Removable insulated cover.
- 1/2" and 3/4" knockouts.

Installation

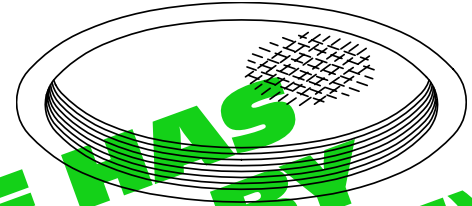
- Recesses indoor or outdoor in poured concrete ceilings.

UL, C-UL (Canada) Listings

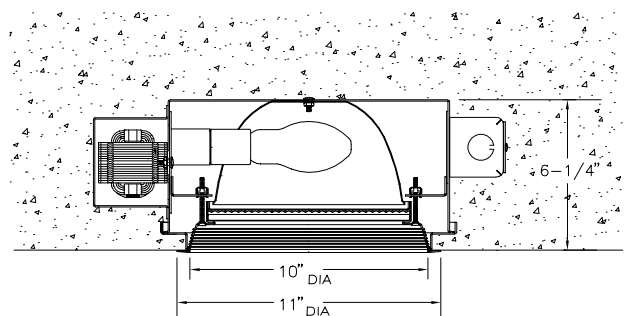
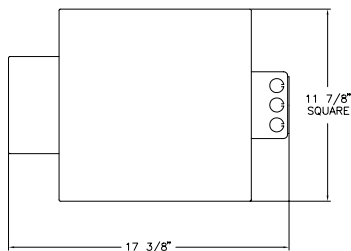
- For use in poured concrete ceilings.
- Through-branch circuit conductors (6 #12).

Three Year Limited Warranty

- Complete standard fixture.



THIS FIXTURE HAS BEEN REPLACED BY HPS-09-43 (LOW MH) SOME DESIGN FEATURES MAY HAVE CHANGED



THE KIRLIN COMPANY

3401 EAST JEFFERSON AVENUE ■ DETROIT, MICHIGAN 48207-4232
(313) 259-6400 ■ FAX: (313) 259-9409 OR (313) 259-3121

**HIGH EFFICIENCY
METAL HALIDE LIGHTING**

LAMP
E/ED-17

WATTAGE
100

RR50998

THE KIRLIN COMPANY RESERVES THE RIGHT TO CHANGE, WITHOUT NOTICE, DETAILS OR SPECIFICATIONS IN PRODUCT DESIGN.

RR50998

RECESSED ROUND: 100 WATT MEDIUM BASE METAL HALIDE



Performance at a Glance - Installed Fixture

RR50998

Ft.	FC	DIA.
6	80.3	6.3
8	45.2	8.4
10	28.9	10.5
12	20.1	12.6
14	14.8	14.7
16	11.3	16.8

RR50998-FR

Ft.	FC	DIA.
6	129.0	4.7
8	72.6	6.3
10	46.4	7.8
12	32.3	9.4
14	23.7	11.0
16	18.1	12.6

RR50998-HO

Ft.	FC	DIA.
6	96.2	5.6
8	54.1	7.5
10	34.6	9.3
12	24.0	11.2
14	17.7	13.1
16	13.5	14.9

Cone of Light Key

- Ft. Distance to surface from fixture (mounting height)
- FC. Footcandles
- DIA. Diameter (in feet) of the circle of light when FC value is half the FC at nadir.

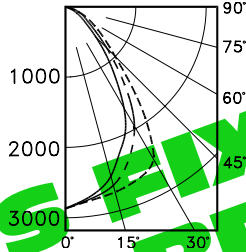
SINGLE FIXTURE

Photometric Data - Installed Fixture

RR50998

- 0° S/MH 1.0
- - - 90° S/MH 1.2
- - - 180° S/MH 1.0

EFF. = 55.2%



CANDLEPOWER DISTRIBUTION

	0.0	45.0	90.0	135.0	180.0
0	2892	2892	2892	2892	2892
5	2852	2837	2875	2861	2847
10	2503	2604	2771	2663	2592
15	2018	2268	2676	2402	2196
20	1340	1650	2040	1737	1496
25	671	818	1014	861	720
30	305	396	485	409	325
35	167	171	174	179	169
40	44	51	59	49	38
45	0	0	0	0	0
50	0	0	0	0	0

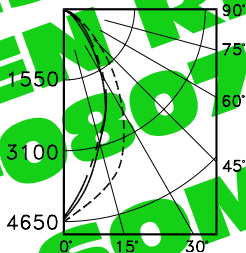
COEFFICIENT OF UTILIZATION

RF	20						
RC	80						
RW	50	30	10	50	30	10	
1	62	60	58	57	56	55	54
2	58	54	52	49	52	49	48
3	54	49	46	43	47	44	42
4	50	45	41	38	43	40	38
5	47	41	37	34	40	36	34
6	44	38	34	31	37	33	31
7	41	35	31	28	34	30	28
8	39	32	28	26	31	28	26
9	37	30	26	24	29	26	24
10	34	28	24	22	27	24	22

RR50998-FR

- 0° S/MH 0.7
- - - 90° S/MH 0.9
- - - 180° S/MH 0.7

EFF. = 60.9%



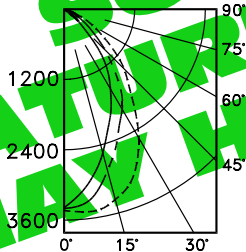
	0.0	45.0	90.0	135.0	180.0
0	4644	4644	4644	4644	4644
5	4347	4371	4453	4329	4185
10	2983	3431	3984	3514	3001
15	2212	2670	3123	2716	2312
20	1140	1571	2069	1677	1316
25	382	828	1151	897	647
30	202	363	508	415	298
35	96	160	204	171	124
40	33	48	56	48	38
45	0	0	0	0	0
50	0	0	0	0	0
55	0	0	0	0	0
60	0	0	0	0	0

RF	20						
RC	80						
RW	70	50	30	10	50	30	10
1	68	66	65	63	63	61	60
2	64	61	58	55	57	55	53
3	60	55	52	49	53	50	48
4	56	51	47	44	49	46	43
5	53	47	43	40	46	42	39
6	50	43	39	36	42	38	36
7	47	40	36	33	39	35	33
8	44	38	33	30	36	33	30
9	42	35	31	28	34	31	28
10	40	33	29	26	32	29	26

RR50998-HO

- 0° S/MH 0.8
- - - 90° S/MH 1.1
- - - 180° S/MH 0.9

EFF. = 63.8%



	0.0	45.0	90.0	135.0	180.0
0	3462	3462	3462	3462	3462
5	3296	3344	3491	3510	3461
10	2618	2961	3375	3238	2876
15	1963	2368	2867	2595	2247
20	1391	1657	2079	1818	1703
25	680	992	1449	1189	958
30	258	513	800	637	451
35	107	220	328	267	178
40	36	46	54	48	36
45	0	0	0	0	0
50	0	0	0	0	0
55	0	0	0	0	0
60	0	0	0	0	0

RF	20						
RC	80						
RW	70	50	30	10	50	30	10
1	71	69	67	65	65	64	62
2	67	63	59	57	59	57	55
3	62	57	53	49	54	51	48
4	58	52	47	44	49	46	43
5	54	47	42	39	45	41	38
6	50	43	38	35	42	38	35
7	47	40	35	32	38	34	32
8	44	37	32	29	36	32	29
9	42	34	30	27	33	29	26
10	39	32	28	25	31	27	24

Distribution curves and S/MH data shown are 90° to lamp axis.

Options

- 23 Mercury ballast instead. 100ME standard or see Option -43. Specify voltage.
- 24 HPS ballast instead. 100ME standard or see Option -43. Specify voltage.
- 43 Lower wattage medium base - specify voltage and wattage for: Metal Halide: 70, 50; Mercury: 75, 50; HPS: 70, 50, 35.
- 49 Extra circuit DCB socket. (100W max.) Must not be energized simultaneously with main source.
- 58 277 volt 60 Hz. ballast instead.
- 65 Relay and DCB socket. (100W max.) With fixture energized, provides immediate light during HID outage. Also see Option -66.
- 66 Time delay relay and DCB socket. (100W max.) When energized, provides light until HID reaches 70% output.
- 94 Custom color trim assembly. Consult factory.
- 99 Special modification. Consult factory.
- FR Fresnel tempered lens instead of dual lens. Concetric prisms.
- HO Holophane tempered concave prismatic lens instead of dual lens.
- LP With lamp. Specify source, wattage, color temperature, and clear or coated (3200°K standard for MH). Consult factory for other color temperatures.
- LS With tungsten halogen standby lamp. (100 watt max.) Use only with Options -49, -65 or -66.

SUBMITTAL DATA

APPROVAL STAMP

JOB NAME _____

TYPE _____

WATTAGE _____ VOLTAGE _____

CATALOG NUMBER _____

LIMITED WARRANTY: CATALOGUED KIRLIN FIXTURES ARE WARRANTED FREE OF DEFECTS IN WORKMANSHIP OR MATERIAL FOR THREE YEARS FROM DATE OF PURCHASE. INSTALLLED TO N.E.C. IN NORMAL USE. Manufacturer at his option will replace or repair such fixture or refund the purchase price on presentation of proof of purchase and defective fixture at the offices of manufacturer within three years of original shipment. Liability of manufacturer is limited to the foregoing, and manufacturer shall not be liable for any other damages, direct or indirect, sustained or suffered by purchaser or any person. This warranty is supplied to the buyer in place of all other warranties, expressed or implied. Seller does not warrant as to merchantability or fitness for a particular use, nor will any oral statement constitute a warranty or amend this specific warranty. Abnormal use, abuse of the fixture, improper installation, or repair, or modification of the fixture without prior written authorization from the manufacturer will render the warranty void.