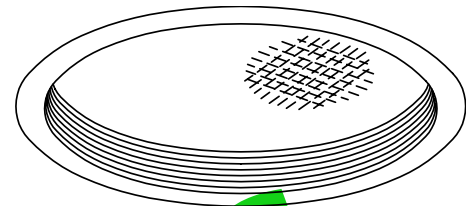


FOR POURED CONCRETE CEILINGS

REGRESSED LENS
55% EFFICIENCY



9"

Features

Lamp

- 100 watt coated E/ED-17 universal.
- See Option -43 for optional lower wattage.
- Option -23 for Mercury, Option -24 for HPS.

Socket

- Horizontal. Medium base pulse rated.
- Glazed porcelain.
- Nickel-plated brass screw shell. Silicone leads.

Reflector

- Specular Alzak® aluminum.

Trim Assembly

- Seamless tapered black OptiGroove with white flange. Fully gasketed. Self-flanged trim.
- UV absorbing tempered low brightness prismatic C#73 glass. Fully gasketed.
- Torsion springs retain snug fit to ceiling.
- Optional lens listed in Options.
- Optional white grooveless flare assembly or flat white trim instead (See Options -40 and -FT).

Ballast Assembly

- Core and coil HPE 180°C ballast.
- Premium Class H; high reactance 5:12 regulation.
- Capacitor and ignitor supplied.
- 120 volt standard or see optional voltages.
- Cool, quiet, long-life. Silicone leads.
- Visible and easily serviced.

Fuse

- Fused primary. Renewable. Aids servicing.

Housing

- 16 GA. galvanized steel; red oxide rustproof primer coat with black enamel finish.
- Entire luminaire serviced through removable trim assembly.

Outlet Box

- Prewired 14 GA (NEC) galvanized steel, UL listed.
- Removable insulated cover.
- 1/2" and 3/4" knockouts.

Installation

- Recesses indoor or outdoor in poured concrete ceilings.

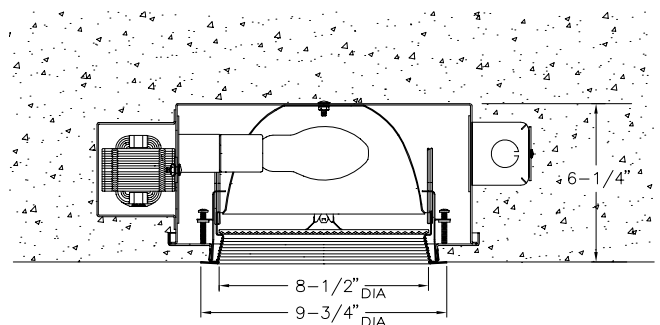
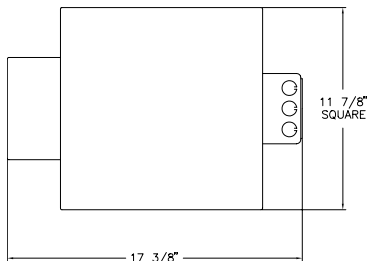
UL, C-UL (Canada) Listings

- For use in poured concrete.
- Through-branch circuit conductors (6 #12).

Three Year Limited Warranty

- Complete standard fixture.

THIS FIXTURE HAS BEEN REPLACED BY HR16 (100W)-43 (100W MH) FEEL SOME DESIGN CHANGES MAY HAVE



THE KIRLIN COMPANY

3401 EAST JEFFERSON AVENUE ■ DETROIT, MICHIGAN 48207-4232
(313) 259-6400 ■ FAX: (313) 259-9409 OR (313) 259-3121

**HIGH EFFICIENCY
METAL HALIDE LIGHTING**

LAMP
E/ED-17

WATTAGE
100

RR50996

RR50996

RECESSED ROUND: 100 WATT MEDIUM BASE METAL HALIDE



Performance at a Glance - Installed Fixture

RR50996

| Ft. | FC | DIA. |
|-----|------|------|
| 6 | 80.3 | 6.3 |
| 8 | 45.2 | 8.4 |
| 10 | 28.9 | 10.5 |
| 12 | 20.1 | 12.6 |
| 14 | 14.8 | 14.7 |
| 16 | 11.3 | 16.8 |

RR50996-FR

| Ft. | FC | DIA. |
|-----|-------|------|
| 6 | 129.0 | 4.7 |
| 8 | 72.6 | 6.3 |
| 10 | 46.4 | 7.8 |
| 12 | 32.3 | 9.4 |
| 14 | 23.7 | 11.0 |
| 16 | 18.1 | 12.6 |

RR50996-HO

| Ft. | FC | DIA. |
|-----|------|------|
| 6 | 96.2 | 5.6 |
| 8 | 54.1 | 7.5 |
| 10 | 34.6 | 9.3 |
| 12 | 24.0 | 11.2 |
| 14 | 17.7 | 13.1 |
| 16 | 13.5 | 14.9 |

Cone of Light Key

- Ft. Distance to surface from fixture (mounting height)
- FC. Footcandles
- DIA. Diameter (in feet) of the circle of light when FC value is half the FC at nadir.

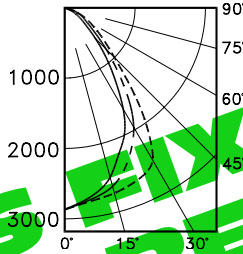
SINGLE FIXTURE

Photometric Data - Installed Fixture

RR50996

- 0° S/MH 1.0
- - - 90° S/MH 1.2
- - - 180° S/MH 1.0

EFF. = 55.2%



CANDLEPOWER DISTRIBUTION

| | 0.0 | 45.0 | 90.0 | 135.0 | 180.0 |
|-----|------|------|------|-------|-------|
| 0 | 2892 | 2892 | 2832 | 2892 | 2892 |
| 5 | 2852 | 2837 | 2875 | 2861 | 2847 |
| 15 | 2503 | 2604 | 2771 | 2683 | 2592 |
| 35 | 2018 | 2268 | 2676 | 2402 | 2196 |
| 55 | 1340 | 1650 | 2040 | 1737 | 1496 |
| 75 | 671 | 818 | 1014 | 861 | 720 |
| 85 | 305 | 396 | 485 | 409 | 325 |
| 95 | 167 | 171 | 174 | 179 | 169 |
| 100 | 44 | 51 | 59 | 49 | 38 |
| 110 | 0 | 0 | 0 | 0 | 0 |
| 120 | 0 | 0 | 0 | 0 | 0 |

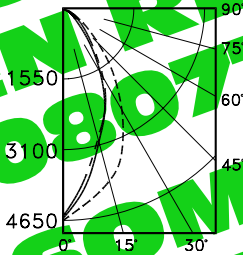
COEFFICIENTS OF UTILIZATION

| RF | 20 | | | | |
|----|----|----|----|----|----|
| | 70 | 50 | 30 | 10 | 50 |
| 1 | 62 | 60 | 58 | 57 | 56 |
| 2 | 56 | 54 | 52 | 49 | 52 |
| 3 | 54 | 49 | 46 | 43 | 47 |
| 4 | 50 | 45 | 41 | 38 | 43 |
| 5 | 47 | 41 | 37 | 34 | 40 |
| 6 | 44 | 38 | 34 | 31 | 37 |
| 7 | 41 | 35 | 31 | 28 | 34 |
| 8 | 39 | 32 | 28 | 26 | 31 |
| 9 | 37 | 30 | 26 | 24 | 29 |
| 10 | 34 | 28 | 24 | 22 | 27 |

RR50996-FR

- 0° S/MH 0.7
- - - 90° S/MH 0.9
- - - 180° S/MH 0.7

EFF. = 60.9%



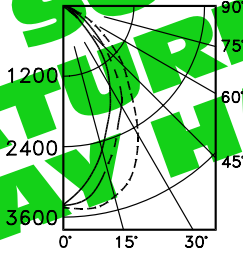
| | 0.0 | 45.0 | 90.0 | 135.0 | 180.0 |
|-----|------|------|------|-------|-------|
| 0 | 4644 | 4644 | 4644 | 4644 | 4644 |
| 5 | 4347 | 4371 | 4453 | 4329 | 4185 |
| 15 | 2983 | 3431 | 3984 | 3514 | 3001 |
| 25 | 2212 | 2670 | 3123 | 2716 | 2312 |
| 35 | 1140 | 1571 | 2069 | 1677 | 1318 |
| 45 | 382 | 629 | 1151 | 897 | 647 |
| 55 | 202 | 383 | 598 | 415 | 298 |
| 65 | 96 | 160 | 204 | 171 | 124 |
| 75 | 33 | 48 | 56 | 48 | 38 |
| 85 | 0 | 0 | 0 | 0 | 0 |
| 95 | 0 | 0 | 0 | 0 | 0 |
| 100 | 0 | 0 | 0 | 0 | 0 |

| RF | 20 | | | | |
|----|----|----|----|----|----|
| | 70 | 50 | 30 | 10 | 50 |
| 1 | 68 | 66 | 65 | 63 | 61 |
| 2 | 64 | 61 | 58 | 55 | 53 |
| 3 | 60 | 55 | 52 | 49 | 50 |
| 4 | 56 | 51 | 47 | 44 | 46 |
| 5 | 53 | 47 | 43 | 40 | 42 |
| 6 | 50 | 43 | 39 | 36 | 42 |
| 7 | 47 | 40 | 36 | 33 | 39 |
| 8 | 44 | 38 | 33 | 30 | 36 |
| 9 | 42 | 35 | 31 | 28 | 34 |
| 10 | 40 | 33 | 29 | 26 | 32 |

RR50996-HO

- 0° S/MH 0.8
- - - 90° S/MH 1.1
- - - 180° S/MH 0.9

EFF. = 63.8%



| | 0.0 | 45.0 | 90.0 | 135.0 | 180.0 |
|-----|------|------|------|-------|-------|
| 0 | 3462 | 3462 | 3462 | 3462 | 3462 |
| 5 | 3296 | 3344 | 3491 | 3510 | 3461 |
| 15 | 2618 | 2961 | 3375 | 3238 | 2876 |
| 25 | 1963 | 2368 | 2867 | 2595 | 2247 |
| 35 | 1391 | 1657 | 2079 | 1818 | 1703 |
| 45 | 680 | 992 | 1449 | 1189 | 958 |
| 55 | 258 | 513 | 800 | 637 | 451 |
| 65 | 107 | 220 | 328 | 267 | 178 |
| 75 | 36 | 46 | 54 | 48 | 36 |
| 85 | 0 | 0 | 0 | 0 | 0 |
| 95 | 0 | 0 | 0 | 0 | 0 |
| 100 | 0 | 0 | 0 | 0 | 0 |

| RF | 20 | | | | |
|----|----|----|----|----|----|
| | 70 | 50 | 30 | 10 | 50 |
| 1 | 71 | 69 | 67 | 65 | 64 |
| 2 | 67 | 63 | 59 | 57 | 55 |
| 3 | 62 | 57 | 53 | 49 | 54 |
| 4 | 58 | 52 | 47 | 44 | 49 |
| 5 | 54 | 47 | 42 | 39 | 45 |
| 6 | 50 | 43 | 38 | 35 | 42 |
| 7 | 47 | 40 | 35 | 32 | 38 |
| 8 | 44 | 37 | 32 | 29 | 36 |
| 9 | 42 | 34 | 30 | 27 | 33 |
| 10 | 39 | 32 | 28 | 25 | 31 |

THIS FIXTURE HAS BEEN REPLACED BY HRR-08077-43 (100W) SOME FEATURES OR OPTIONS MAY HAVE CHANGED

Options

- 23 Mercury ballast instead. 100ME standard or see Option -43. Specify voltage.
- 24 HPS ballast instead. 100ME standard or see Option -43. Specify voltage.
- 27 Clear 1/4" tempered glass beneath prismatic flat lens for vandal resistance.
- 40 White grooveless flare trim assembly instead.
- 43 Lower wattage medium base - specify voltage and wattage for: Metal Halide: 70, 50; Mercury: 75, 50; HPS: 70, 50, 35.
- 49 Extra circuit DCB socket. (100W max.)

- 58 277 volt 60 Hz. ballast instead.
- 65 Relay and DCB socket. (100W max.) With fixture energized, provides immediate light during HID outage. Also see Option -66.
- 66 Time delay relay and DCB socket. (100W max.) When energized, provides light until HID reaches 70% output.
- 94 Custom color trim assembly. Consult factory.
- 99 Special modification. Consult factory.
- FR Fresnel tempered lens instead.

- Concentric prisms.
- FT Flat white trim instead. Standard with UV absorbing tempered prismatic glass or add Option -FR or -HO.
- HO Holophane tempered concave prismatic lens instead.
- LP With lamp. Specify source, wattage, color temperature, and clear or coated (3200°K standard for MH). Consult factory for other color temperatures.
- LS With tungsten halogen standby lamp. (100 watt max.) Use only with Options -49, -65 or -66.

SUBMITTAL DATA

JOB NAME _____

TYPE _____

WATTAGE _____ VOLTAGE _____

CATALOG NUMBER _____

APPROVAL STAMP

LIMITED WARRANTY: CATALOGED KIRLIN FIXTURES ARE WARRANTED FREE OF DEFECTS IN WORKMANSHIP OR MATERIAL FOR THREE YEARS FROM DATE OF PURCHASE, INSTALLED TO N.E.C., IN NORMAL USE. Manufacturer at his option will replace or repair such fixture or refund the purchase price on presentation of proof of purchase and defective fixture at the offices of manufacturer, within three years of original shipment. Liability of manufacturer is limited to the foregoing, and manufacturer shall not be liable for any other damages, direct or indirect, sustained or suffered by purchaser or any person. This warranty is supplied to the buyer in place of all other warranties, expressed or implied. Seller does not warrant as to merchantability or fitness for a particular use, nor will any oral statement constitute a warranty or amend this specific warranty. Abnormal use, abuse of the fixture, improper installation, or repair, or modification of the fixture without prior written authorization from the manufacturer will render the warranty void.