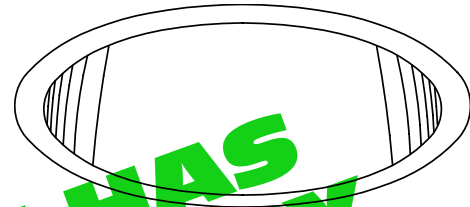


### ELLIPSOIDAL DOWNLIGHT: CHURCH / AUDITORIUM



#### Features

##### Lamp

- 250 watt clear E/BT/ED-28.
- See Option -43 for optional lower wattage.
- Option -23 for Mercury, Option -24 for HPS.

##### Socket

- Vertical. Mogul base.
- Glazed porcelain.
- Nickel-plated brass screw shell. Silicone leads.

##### Reflectors

- Upper: Compound ellipsoidal specular Alzak® aluminum.
- Lower: Low brightness parabolic specular Alzak aluminum, self-flanged.

##### Lens

- UV absorbing tempered Industrix mounted to upper reflector.
- Optional UV absorbing tempered prismatic glass (Option -15).

##### Ballast Assembly

- Whisper Pack™ fully encapsulated 180°C rated HPF ballast.
- Premium Class H CWA, 10:9 regulation.
- Capacitor supplied.
- 120 volt standard or see optional voltages.
- Cool, quiet, long-life. Silicone leads.
- Visible and easily serviced in all ceilings including dry wall.

##### Fuse

- Fused primary. Renewable. Aids servicing.

##### Housing

- Acrylic enameled aluminum.

- Cool: Dissipates heat across entire surface area.

- Rustproof: Exceeds 1000 hour ASTM 5% salt spray test.

- Entire luminaire serviced through removable reflector.

- Built-in plaster frame.

##### Outlet Box

- Prewired 14 GA (NEC) galvanized steel. UL listed.
- Removable insulated cover.
- 1/2" and 3/4" knockouts.

##### Installation

- 27" galvanized channel bar hangers supplied (2).
- Fully adjustable universal mounting brackets supplied (2).
- Recesses indoor or outdoor in covered locations.

##### UL Listing

- Wet, damp or dry locations, covered ceilings.
- Through-branch circuit conductors (6#12).

##### Three Year Limited Warranty

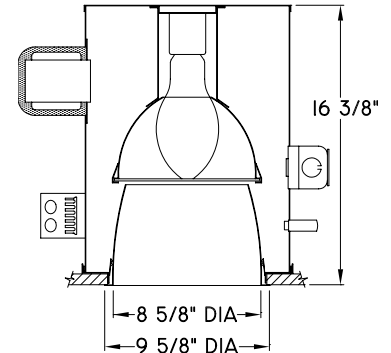
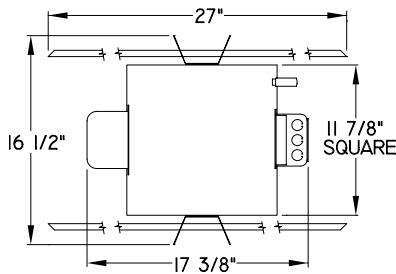
- Complete standard fixture.

##### Thermal Protection

- Per current NEC.

THIS FIXTURE HAS BEEN REPLACED BY PART # RR-08033-EP-ML. SOME DESIGN FEATURES OR OPTIONS MAY HAVE CHANGED.

### APPROVAL STAMP



## THE KIRLIN COMPANY

3401 EAST JEFFERSON AVENUE ■ DETROIT, MICHIGAN 48207-4232  
(313) 259-6400 ■ FAX: (313) 259-9409 OR (313) 259-3121

**HIGH EFFICIENCY  
METAL HALIDE LIGHTING**

LAMP  
E/BT/ED-28

WATTAGE  
250

# RR50908

DATA

SUBMITTAL

VOLTAGE

WATTAGE

TYPE

MODEL

JOB NAME

LOCATION

# RR50908 RECESSED ROUND: 250 WATT MOGUL BASE METAL HALIDE



## Performance at a Glance - Installed Fixture

### Cones of Light

RR50908			RR50908-15		
Ft.	FC	DIA.	Ft.	FC	DIA.
6	231.9	6.4	6	220.3	6.4
8	130.4	8.5	8	123.9	8.5
10	83.5	10.7	10	79.3	10.6
12	58.0	12.8	12	55.1	12.7
14	42.6	14.9	14	40.5	14.8
16	32.6	17.1	16	31.0	17.0

**Cone of Light Key**  
**Ft.** Distance to surface from fixture (mounting height)  
**FC** Footcandles  
**DIA.** Diameter (in feet) of the circle of light when FC value is half the FC at nadir.

### Color Multiplier Guide for Optional Reflectors

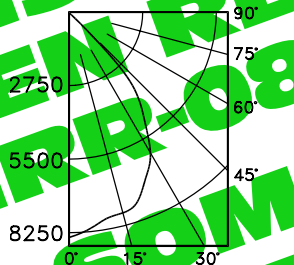
- 0 Gold: CP x .95
- 1 Black: CP x .67
- 2 Pewter: CP x .75
- 3 Pewter: CP x .90
- 4 OptiGroove: CP x .72

## Photometric Data - Installed Fixture

### CANOPY COEFFICIENTS OF UTILIZATION

#### RR50908

S/MH 1.1  
EFF. = 57.0%

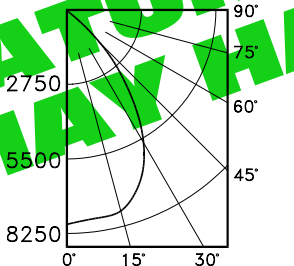


	0.0	22.5	45.0	67.5	90.0
0	8348	8348	8348	8348	8348
1	8230	8230	8230	8230	8230
2	7851	7851	7851	7851	7851
3	6661	6661	6661	6661	6661
35	4966	4966	4966	4966	4966
45	2815	2815	2815	2815	2815
55	180	180	180	180	180
65	0	0	0	0	0
75	0	0	0	0	0
85	0	0	0	0	0
90	0	0	0	0	0

RF	20						
	80		50		50		
RC	70	50	30	10	50	30	
RW	65	63	62	60	60	59	58
1	62	59	57	55	56	55	53
3	59	55	52	50	53	51	49
5	56	51	48	46	49	47	45
7	53	48	44	42	46	44	41
9	50	45	41	39	43	40	38
10	47	41	38	35	40	37	35
11	44	38	35	32	37	34	32
12	41	35	32	29	34	31	29
13	39	33	29	27	32	29	27

#### RR50908-15

S/MH 1.1  
EFF. = 52.4%



	0.0	22.5	45.0	67.5	90.0
0	7931	7931	7931	7931	7931
1	7855	7855	7855	7855	7855
2	7807	7807	7807	7807	7807
3	6625	6625	6625	6625	6625
35	4633	4633	4633	4633	4633
45	2127	2127	2127	2127	2127
55	205	205	205	205	205
65	25	25	25	25	25
75	0	0	0	0	0
85	0	0	0	0	0
90	0	0	0	0	0

RF	20						
	80		50		50		
RC	70	50	30	10	50	30	
RW	60	58	57	56	55	54	53
1	57	54	52	51	52	50	49
2	54	51	48	46	49	47	45
3	51	48	45	43	46	44	42
4	49	44	41	39	43	41	39
5	49	44	41	39	43	41	39
6	46	42	38	36	40	38	36
7	44	39	35	33	38	35	33
8	41	36	33	31	35	32	30
9	39	33	30	28	33	30	28
10	36	31	28	25	30	27	26

## Options

- 15 UV absorbing tempered prismatic flat glass. Spread distribution.
- 16 Champagne Gold anodized Alzak® lower reflector, self-flanged. (CP x .95)
- 23 Mercury ballast instead. 250 watt standard or see Option -43. Specify voltage.
- 24 HPS ballast instead. 250 watt standard or see Option -43. Specify voltage.
- 31 White reflector flange.
- 43 Lower wattage medium base - specify voltage and wattage for: Metal Halide: 175; Mercury: 175; HPS: 150.
- 45 Gasket above reflector flange. Stops dust streaks on ceiling.
- 49 Extra circuit DCB socket. (100 watt max.) Must not be energized simultaneously with main source.
- 58 277 volt 60 Hz. ballast instead.
- 65 Relay and DCB socket. (100 watt max.) With fixture energized, provides immediate light during HID outage. Also see Option -66.
- 66 Time delay relay and DCB socket. (100 watt max.) When energized, provides light until HID reaches 70% output.
- 72 Black anodized Alzak lower reflector, self-flanged. (CP x .67)
- 92 Umber anodized Alzak lower reflector, self-flanged. (CP X .75)
- 93 Pewter anodized Alzak lower reflector, self-flanged. (CP x .90)
- 94 Custom color lower reflector. Consult factory.
- 97 Other voltage ballasts. Consult factory.
- 99 Special modification. Consult factory.
- LP With lamp. Specify source, wattage, color temperature, and clear or coated (3700°K standard for MH). Consult factory for other color temperatures.
- LS With tungsten halogen standby lamp. (100 watt max.) Use only with Options -49, -65 or -66.
- OG OptiGroove black seamless tapered aluminum. White trim, self-flanged. (CP x .72)

## THE KIRLIN COMPANY

3401 EAST JEFFERSON AVENUE ■ DETROIT, MICHIGAN 48207-4232  
(313) 259-6400 ■ FAX: (313) 259-9409 OR (313) 259-3121

# RR50908

WATTAGE 250 LAMP E/BT/ED-28

HIGH EFFICIENCY METAL HALIDE LIGHTING

Alzak® is a registered trademark of ALCOA.

LIMITED WARRANTY: CATALOGUED KIRLIN FIXTURES ARE WARRANTIED FREE OF DEFECTS IN WORKMANSHIP OR MATERIAL FOR THREE YEARS FROM DATE OF PURCHASE. INSTALLLED TO N.E.C. IN NORMAL USE. Manufacturer at this option will replace or repair such fixture or refund the purchase price on presentation of proof of purchase and defective fixture at the offices of manufacturer within three years of original shipment. Liability of manufacturer is limited to the foregoing, and manufacturer shall not be liable for any other damages, direct or indirect, sustained or suffered by purchaser or any person. This warranty is supplied to the buyer in place of all other warranties, expressed or implied. Seller does not warrant as to merchantability or fitness for a particular use, nor will any oral statement constitute a warranty or amend this specific warranty. Abnormal use, abuse of the fixture, improper installation, or repair, or modification of the fixture without prior authorization from the manufacturer will render the warranty void.