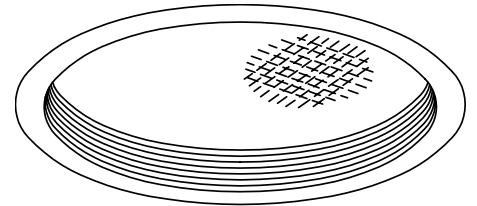


FOR POURED CONCRETE CEILINGS

9"

TAMPER-PROOF VANDAL RESISTANT



Features

Lamp

- Designed for: 300 watt horizontal PS-25 maximum.

Socket

- Horizontal. Medium base.
- Glazed porcelain.
- Nickel-plated brass screw shell. Silicone leads.

Reflector

- Specular Alzak® aluminum.

Trim Assembly

- Tamper-resistant, seamless trim assembly. OptiGroove with white trim.
- Flush recessed trim screws with cover caps. Secure trim with positive nuts. This design eliminates C#7 tempered prismatic glass with 1/4" tempered glass for added tamper resistance. Flush trim has 10 mounting and four tamper-proof lens. See options for additional lens selection. Visible and easily serviced.

Housing

- 16 GA. galvanized steel with red oxide rustproof primer and black enamel finish.
- Entire luminaire service is a removable trim assembly.

Outlet Box

- 1/2" deep (NEC) galvanized steel, UL listed.
- Removable insulated cover.
- 1/2" and 3/4" knockouts.

Mounting

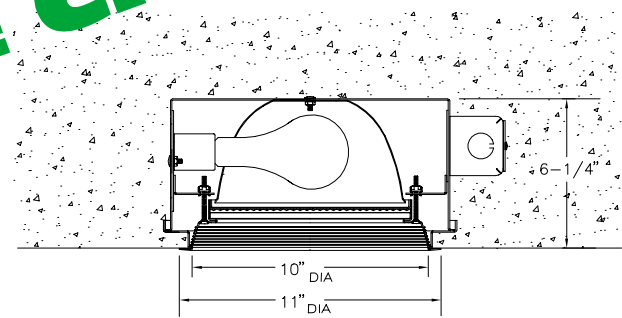
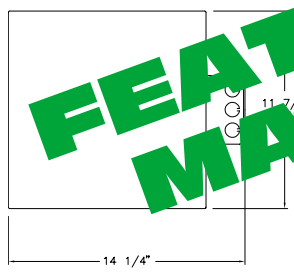
- Accesses indoor ceiling floor in poured concrete ceiling. No wiring required.

UL, CUL and ETL Listings

- For use in poured concrete ceilings.
- Through-branch circuit conductors (600V).
- Three Year Limited Warranty.
- Complete standard fixture.

THIS FIXTURE HAS BEEN REPLACED BY IRR-10156

SOME DESIGN FEATURES OR OPTIONS MAY HAVE CHANGED



Options

- 94 Custom color trim assembly. Consult factory.
- 99 Special modification. Consult factory.
- FR Fresnel tempered lens instead of dual lens. Concentric prisms.
- HO Holophane tempered concave prismatic lens instead of dual lens.
- LP With lamp. Specify wattage.

THE KIRLIN COMPANY

3401 EAST JEFFERSON AVENUE • DETROIT, MICHIGAN 48207-4232
 (313) 259-6400 • FAX: (313) 259-9409 or (313) 259-3121 • www.kirlinlighting.com

**INCANDESCENT
LIGHTING**

LAMP
PS25

MAXIMUM WATTAGE
300

CATALOG NUMBER
RR30998

DATA

SUBMITTAL

APPLICATIONS
SEPT 1994

VOLTAGE

WATTAGE

TYPE

MODEL

JOB NAME

LOCATION