

High Light Output: Mall, Convention Center, Church

Features

Lamp

- Designed for: 1 vertical Q500 (max.) frosted tungsten halogen T-4.
- Mini-candelabra screw base.
- Rated 2000 hour life; 100 CRI.
- Dimmable (controls by others).

Lampholder

- Mini-candelabra heat resistant screw base mounted in exclusive machined extruded aluminum heat sink to maximize dissipation of lamp base heat.

Reflectors

- Upper: Specular Alzak® ellipsoidal aluminum reflector for precise control of source.
- Lower: Low brightness clear specular parabolic Alzak aluminum cone, self-flanged.
- Ten optional self-flanged cone colors and finishes available. See Options.

Lens

- RR30612: Tempered MicroLux (micropismatic) lens mounted to upper reflector (0.5 S/MH). Optional tempered C#73 prismatic glass (Option -15 with 0.6 S/MH) or tempered clear glass (Option -28 with 0.3 S/MH) available.

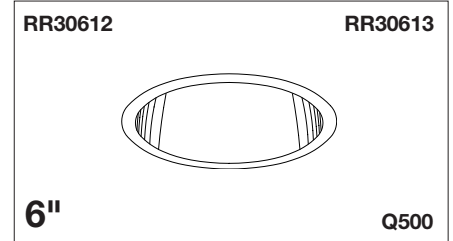
- RR30613: Tempered C#73 prismatic glass lens mounted to upper reflector (1.0 S/MH).
- #### Housing
- Acrylic enameled 100% aluminum. Vented.
 - Hydroformed conical heat sink portion of housing efficiently dissipates lamp base heat.
 - Convection and radiation cooling by design, for maximum component life.
 - Rustproof: Exceeds 1000 hour ASTM 5% salt spray test.
 - Entire luminaire visible and serviceable from below through removable lower cone.
 - Top access standard - simple procedure.
 - 2" mounting collar permits thicker ceiling installations. Built-in plaster frame.

Outlet Box

- Prewired 14GA (NEC) galvanized steel. UL listed. With removable insulated cover.
- 1/2" and 3/4" knockouts.

Installation

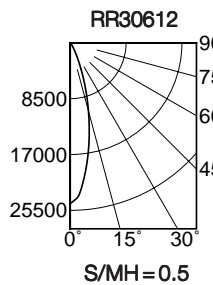
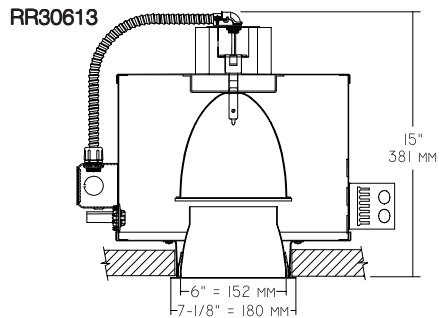
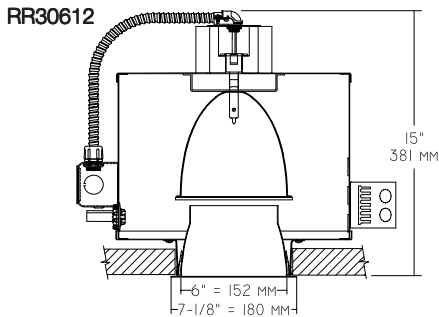
- 27" galvanized hanger bars supplied (2).
- Fully adjustable universal galvanized mounting brackets supplied (2). Accepts 3/4" or 1-1/4" lathers channel or 1/2" T.S. conduit.
- Recesses indoor or outdoor in covered ceilings. 2" collar (standard) permits thicker ceiling installations.



**For Higher Ceilings
Four Distributions Offered
10 Optional Lower Cone Finishes**

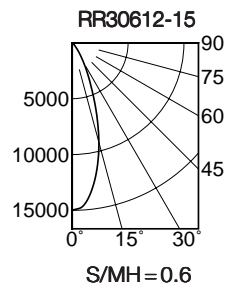
- See "MARKED SPACINGS CAUTION" below.
- **UL, C-UL (Canada) Listings**
- Wet, damp or dry locations, covered ceilings.
- Through-branch circuit conductors (6 #12 AWG 90°C).
- **Three Year Limited Warranty**
- Complete standard fixture.
- **Thermal Protection (Per Current NEC)**
- Thermal protector included which provides automatic cut-off if rated temperature is exceeded. (Insulation related)

Performance at a Glance



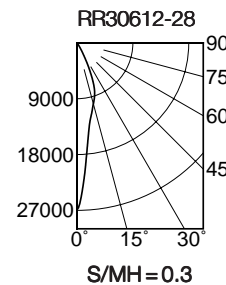
Cone of Light*

Ft.	FC	Dia.
6	679.9	2.6
8	382.4	3.5
10	244.8	4.4
12	170.0	5.3
14	124.9	6.1
16	95.6	7.0



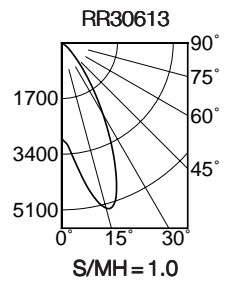
Cone of Light*

Ft.	FC	Dia.
6	416.0	3.4
8	234.0	4.5
10	149.8	5.6
12	104.0	6.8
14	76.4	7.9
16	58.5	9.0



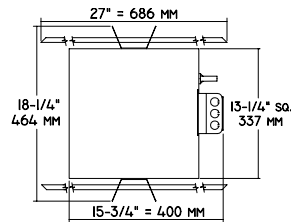
Cone of Light*

Ft.	FC	Dia.
6	747.6	1.7
8	420.5	2.3
10	269.1	2.8
12	186.9	3.4
14	137.3	4.0
16	105.1	4.5



Cone of Light*

Ft.	FC	Dia.
6	81.4	7.2
8	45.8	9.6
10	29.3	12.0
12	20.4	14.4
14	15.0	16.8
16	11.4	19.2



"MARKED SPACINGS CAUTION"
INSTALL WITH MINIMUM SPACINGS AS FOLLOWS: 2 FEET BETWEEN CENTERS OF ADJACENT FIXTURES; 1/2" BETWEEN FIXTURE TOP AND OVERHEAD BUILDING MEMBER; 1 FOOT BETWEEN FIXTURE CENTER AND SIDE WALL.

Cone of Light Key
Ft. Distance from fixture
FC Footcandles (average)
Dia. Circle of light at 50% of FC
* Dia. (in ft.) shown is where FC value is half the FC at nadir.

THE KIRLIN COMPANY

3401 EAST JEFFERSON AVENUE • DETROIT, MICHIGAN 48207-4232
(313) 259-6400 • Fax: (313) 259-9409 OR (313) 259-3121

**NEW MILLENNIUM
TUNGSTEN HALOGEN and
INCANDESCENT LIGHTING**

LAMP
**T-4
T-4**

MAXIMUM WATTAGE
**Q500
Q500**

CATALOG NUMBERS
**RR30612
RR30613**

**RR30612
RR30613**

RECESSED ROUND: Q500 WATT (MAX.) TUNGSTEN HALOGEN DOWNLIGHTS



Detailed Photometry - Installed Fixture

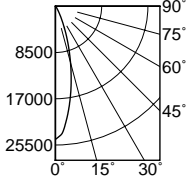
FROM I.T.L. (BOULDER, CO)

RR30612: TEST NUMBER 46003
RR30612-28: TEST NUMBER 47621

RR30612-15: TEST NUMBER 46004
RR30613: TEST NUMBER 47687

RR30612

Efficiency = 64.4%

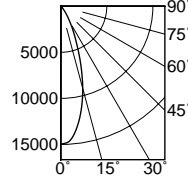


S/MH 0.5

CANDLEPOWER DISTRIBUTION						COEFFICIENTS OF UTILIZATION							
	0.0	22.5	45.0	67.5	90.0	RF	20						
						RC	80			50			
						RW	70	50	30	10	50	30	10
0	24475	24475	24475	24475	24475	1	74	72	71	70	68	68	67
5	21546	21546	21546	21546	21546	2	71	69	67	65	66	64	63
15	10712	10712	10712	10712	10712	3	69	65	63	61	63	61	60
25	2826	2826	2826	2826	2826	4	66	63	60	58	61	58	57
35	537	537	537	537	537	5	64	60	57	55	58	56	54
45	139	139	139	139	139	6	62	58	55	53	56	54	52
55	85	85	85	85	85	7	60	55	53	51	54	52	50
65	0	0	0	0	0	8	58	54	51	49	53	50	48
75	0	0	0	0	0	9	56	52	49	47	51	48	47
85	0	0	0	0	0	10	55	50	47	45	49	47	45
90	0	0	0	0	0								

RR30612-15

Efficiency = 62.4%

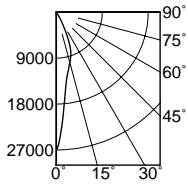


S/MH 0.6

CANDLEPOWER DISTRIBUTION						COEFFICIENTS OF UTILIZATION							
	0.0	22.5	45.0	67.5	90.0	RF	20						
						RC	80			50			
						RW	70	50	30	10	50	30	10
0	14975	14975	14975	14975	14975	1	71	70	68	67	66	65	64
5	14309	14309	14309	14309	14309	2	68	66	63	62	63	61	60
15	9221	9221	9221	9221	9221	3	65	62	59	57	60	58	56
25	3608	3608	3608	3608	3608	4	63	59	56	53	57	54	53
35	1096	1096	1096	1096	1096	5	60	56	53	50	54	52	50
45	261	261	261	261	261	6	58	53	50	48	52	49	47
55	100	100	100	100	100	7	56	51	47	45	49	47	45
65	0	0	0	0	0	8	53	48	45	43	47	45	43
75	0	0	0	0	0	9	51	46	43	41	46	43	41
85	0	0	0	0	0	10	50	44	41	39	44	41	39
90	0	0	0	0	0								

RR30612-28

Efficiency = 67.9%

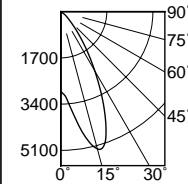


S/MH 0.3

CANDLEPOWER DISTRIBUTION						COEFFICIENTS OF UTILIZATION							
	0.0	22.5	45.0	67.5	90.0	RF	20						
						RC	80			50			
						RW	70	50	30	10	50	30	10
0	26914	26914	26914	26914	26914	1	78	76	75	74	72	71	70
5	17924	17924	17924	17924	17924	2	75	72	70	68	69	67	66
15	10179	10179	10179	10179	10179	3	72	69	66	64	66	64	62
25	4736	4736	4736	4736	4736	4	69	65	62	60	63	62	59
35	336	336	336	336	336	5	67	62	59	57	61	58	56
45	32	32	32	32	32	6	65	60	57	54	58	56	54
55	26	26	26	26	26	7	62	57	54	52	56	53	51
65	2	2	2	2	2	8	60	55	52	50	54	51	49
75	4	4	4	4	4	9	58	53	50	48	52	49	47
85	0	0	0	0	0	10	56	51	48	46	50	48	46
90	0	0	0	0	0								

RR30613

Efficiency = 49.5%



S/MH 1.0

CANDLEPOWER DISTRIBUTION						COEFFICIENTS OF UTILIZATION							
	0.0	22.5	45.0	67.5	90.0	RF	20						
						RC	80			50			
						RW	70	50	30	10	50	30	10
0	2931	2931	2931	2931	2931	1	56	55	53	52	52	51	50
5	3388	3388	3388	3388	3388	2	53	51	49	47	48	47	45
15	5223	5223	5223	5223	5223	3	50	47	45	43	45	43	42
25	3712	3712	3712	3712	3712	4	48	44	41	39	42	40	38
35	1567	1567	1567	1567	1567	5	45	41	38	36	40	37	35
45	489	489	489	489	489	6	43	38	35	33	37	35	33
55	133	133	133	133	133	7	41	36	33	31	35	32	30
65	6	6	6	6	6	8	39	34	31	28	33	30	28
75	0	0	0	0	0	9	37	32	29	27	31	28	26
85	0	0	0	0	0	10	35	30	27	25	29	27	25
90	0	0	0	0	0								

Estimated Multipliers

- 16 Champagne Gold Alzak®: CP x .95
- 30 White: CP x .95
- 63 Dune Alzak: CP x .93

- 69 Wheat Alzak: CP x .92
- 70 SofTex Clear: CP x .92
- 71 SofTex Dune: CP x .89
- 72 Black Alzak: CP x .80

- 90 SofTex Champagne Gold: CP x .90
- 91 SofTex Wheat: CP x .88
- 93 Pewter Alzak: CP x .88
- OG Black OptiGroove: CP x .83

Options

- 15 Tempered prismatic C#73 glass lens for medium (0.6 S/MH) distribution. (RR30612 only)
- 16 Champagne Gold specular Alzak self-flanged lower cone. (CP x .95)
- 28 Tempered clear flat glass for narrowest (0.3 S/MH) distribution. (RR30612 only)
- 30 All white lower cone, self-flanged. (CP x .95)
- 31 White flange (only) on self-flanged lower cone.
- 32 Trim extender. Broadens trim flange O.D. by 1" to cover larger ceiling opening.
- 45 Gasket above reflector flange. Stops dust streaks on ceiling.
- 63 Dune specular Alzak self-flanged lower cone. (CP x .93)
- 69 Wheat specular Alzak self-flanged lower cone. (CP x .92)
- 70 SofTex Clear softly etched self-flanged lower cone. Resists smudges. (CP x .92)
- 71 SofTex Dune softly etched self-flanged lower cone. Resists smudges. (CP x .89)
- 72 Black specular Alzak self-flanged lower cone. For use in fire resistant construction only. (CP x .80)
- 90 SofTex Champagne Gold softly etched self-flanged lower cone. Resists smudges. (CP x .90)
- 91 SofTex Wheat softly etched self-flanged lower cone. Resists smudges. (CP x .88)
- 93 Pewter specular Alzak self-flanged lower cone. (CP x .88)
- 94 Specular or SofTex custom color / finish lower cone, self-flanged. Consult factory.
- 99 Special modification. Consult factory.
- LP With frosted mini-can lamp. Specify wattage.
- OG OptiGroove black seamless tapered aluminum lower cone. White trim, self-flanged. For use in fire resistant construction only. (CP x .83)

SUBMITTAL DATA

APPROVAL STAMP

JOB NAME _____
 TYPE _____
 WATTAGE _____ VOLTAGE _____
 CATALOG NUMBER _____

LIMITED WARRANTY: CATALOGUED KIRLIN FIXTURES ARE WARRANTED FREE OF DEFECTS IN WORKMANSHIP OR MATERIAL FOR THREE YEARS FROM DATE OF PURCHASE. INSTALLATION, ETC., IS NORMAL USE. Manufacturer at his option will replace or repair such fixture or refund the purchase price on presentation of proof of purchase and defective fixture at the offices of manufacturer within the years of original shipment. Liability of manufacturer is limited to the foregoing, and manufacturer shall not be liable for any other damages, direct or indirect, sustained or suffered by purchaser or any person. This warranty is supplied on the buyer's plate or other warranties, expressed or implied. Seller does not warrant as to merchantability or fitness for a particular use, nor warranty of installation or repair, or modification of the fixture without prior written authorization from the manufacturer. Seller's manufacturer will order the warranty card.