

## X-CELL™ Cross Baffle for Incandescent A-Lamp

### Features

#### Lamp/Socket

- Designed for vertical incandescent lamp: 200 watt (max.) frosted A23 (by others).
- Dimmable (controls by others).
- Glazed porcelain medium base socket. Nickel plated brass screw shell. Silicone leads.

#### Reflectors

- Upper: Specular Alzak® aluminum
- Lower: Self-flanged SofTex Alzak aluminum 4-cell parabolic cross baffle.

#### Housing

- Cool. Acrylic enameled 100% aluminum.
- Rustproof: Exceeds 1000 hour ASTM 5% salt spray test.
- Dissipates heat across entire surface area.
- Entire luminaire serviced through aperture.
- Built-in plaster frame.

#### Outlet Box

- Prewired 14 GA (NEC) galvanized steel, UL listed; with removable insulated cover.
- 1/2" and 3/4" knockouts.

#### Installation

- 27" hanger bars supplied (2).
- Fully adjustable universal mounting brackets supplied (2).
- Recesses indoor or outdoor in covered ceilings.

#### UL, C-UL (Canada) Listings

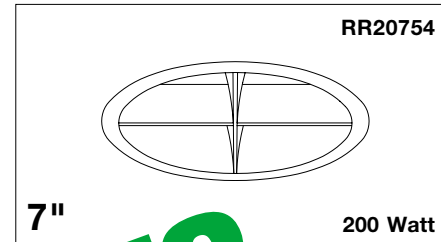
- Wet, damp or dry locations, covered ceilings.
- Through-branch circuit conductors (up to 6 #12), Supply wire rating: 90°C.

#### Three Year Limited Warranty

- Complete standard fixture.

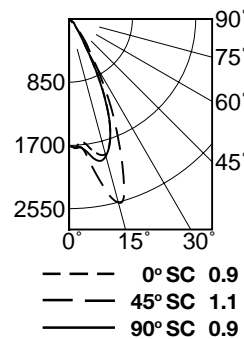
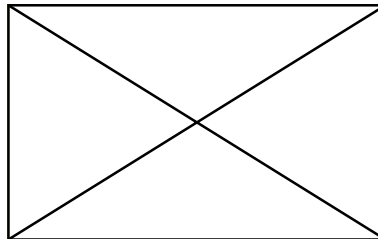
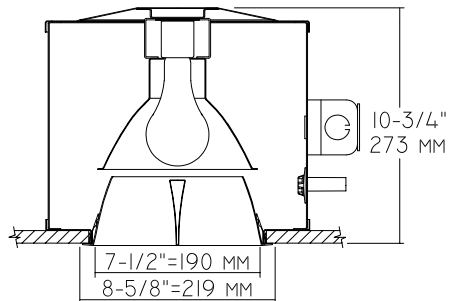
#### Thermal Protection (Per Current NEC)

- Thermal protector included which provides automatic cut-off if rated temperature is exceeded. (Insulation related)



THIS FIXTURE IS NO LONGER AVAILABLE FOR REPLACEMENT

### Performance at a Glance



**Cone of Light\***

Dist.	FC	Dia.
6	47.3	5.8
8	26.6	7.7
10	17.0	9.6
12	11.8	11.5
14	8.7	13.5
16	6.6	15.4

- 0° SC 0.9
- - - 45° SC 1.1
- 90° SC 0.9

**Cone of Light Key**

**Dist.** Distance from fixture  
**FC** Footcandles (average)  
**Dia.** Circle of light at 50% of FC

\* Dia. (in ft.) shown is where FC value is half the FC at nadir.

## THE KIRLIN COMPANY

3401 EAST JEFFERSON AVENUE • DETROIT, MICHIGAN 48207-4232  
 (313) 259-6400 • Fax: (313) 259-9409 OR (313) 259-3121

NEW MILLENNIUM

TUNGSTEN HALOGEN and  
 INCANDESCENT LIGHTING

LAMP

**A23**

MAXIMUM WATTAGE

**200**

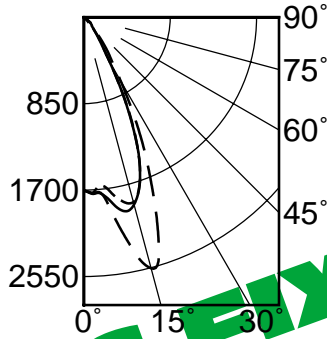
CATALOG NUMBER

**RR20754**

**Detailed Photometry - Installed Fixture**

FROM I.T.L. (BOULDER, CO) TEST NUMBER 54809

**RR20754 200W**



0° SC 0.9  
45° SC 1.1  
90° SC 0.9  
**EFFICIENCY = 41.6%**

**CANDLEPOWER DISTRIBUTION**

	0.0	22.5	45.0	67.5	90.0
0	1702	1702	1702	1702	1702
5	1670	1689	1727	1737	1735
15	1882	2472	2556	2460	1907
25	1092	1296	1362	1264	1072
35	268	375	400	361	246
45	83	53	28	42	107
55	5	4	3	4	4
65	0	0	1	0	0
75	0	0	0	0	0
85	0	0	0	0	0
90	0	0	0	0	0

**FOOT-CANDLE DISTRIBUTION**

FC	70	50	30	15	10	10
1	47	46	45	44	44	43
2	45	43	42	41	41	40
3	43	41	39	37	39	38
4	41	38	36	35	37	35
5	39	36	34	32	35	33
6	38	34	32	30	33	31
7	36	32	30	29	32	30
8	34	31	29	27	30	28
9	33	29	27	25	29	27
10	32	28	26	24	27	24

**THIS FIXTURE IS NO LONGER AVAILABLE FOR CONSULT FACTORY REPLACEMENT**

**Options**

- 30 White cross baffle assembly and flange.
- 31 White flange (only) on cross baffle reflector.
- 32 Trim extender. Broadens trim flange O.D. by 1" to cover larger ceiling opening.
- 45 Gasket above reflector flange.
- 58 277/120 volt stepdown transformer for 277 volt line input, prewired into each fixture; with 277 volt thermal protector.
- 62 Specular Clear Alzak® cross baffle assembly.
- 94 Custom color cross baffle assembly. Consult factory.
- 99 Special modification. Consult factory.
- WW Wall wash cross baffle assembly instead.

**SUBMITTAL DATA**

**APPROVAL STAMP**

JOB NAME \_\_\_\_\_

TYPE \_\_\_\_\_

WATTAGE \_\_\_\_\_ VOLTAGE \_\_\_\_\_

CATALOG NUMBER \_\_\_\_\_

\_\_\_\_\_