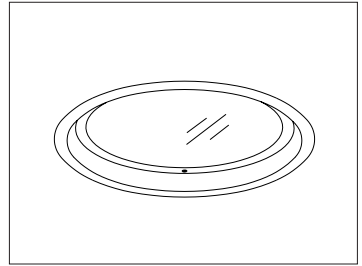


CATALOG #	TYPE	
JOB NAME	WATTAGE	VOLTAGE

12" 1 T4Q 150 WATT MAXIMUM

RR01212

## Adjustable Medical Exam Light: 360° x 30°



Recessed Round  
Lensed  
Adjustable  
Exam

### Features

#### Lamp

- Designed for: 150 watt (max.) 120V T4Q DCB lamp (by others). Rated 1000-2000 hour life.
- 3000°K color temperature and 100 CRI for accurate tissue rendering and patient evaluation.
- Dimmable (controls by others).

#### Socket

- Double contact bayonet (DCB).

#### Lamp Assembly

- Yoke assembly tilts 30° and rotates 358°.

#### Reflector

- Glass cold mirrored reflector removes heat from light beam.

#### Trim Assembly

- Self-flanged hydroformed seamless tapered smooth aluminum flare trim with white finish.
- Smooth surface prevents contaminant or dust build-up. Easily cleaned.
- Clear tempered regressed glass lens standard. Provides protective lamp shield. Optional lenses available; see Options.

#### Housing

- Cool, acrylic enameled aluminum.
- Dissipates heat across entire surface area. Ventilated for convection cooling.
- Rustproof: Exceeds 1000 hour ASTM 5% salt spray test.
- Entire luminaire serviced through removable trim assembly.
- Built-in plaster frame.

#### Outlet Box

- Prewired 14 GA (NEC) galvanized steel, UL listed; with removable insulated cover.
- 1/2" and 3/4" knockouts.

#### Installation

- 27" galvanized hanger bars with adjustable mounting brackets supplied.
- Lightweight. Recesses in any ceiling type.

#### UL, C-UL (Canada) Listings

- Wet, damp or dry locations, covered ceilings.
- Through-branch circuit conductors (6 #12). Supply wire rating: 90°C.

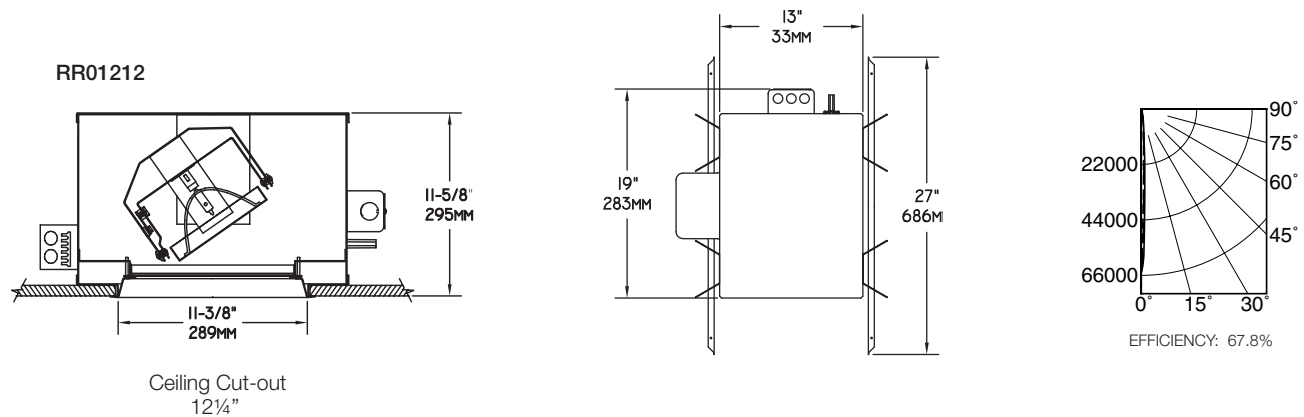
#### Three Year Limited Warranty

- Complete standard fixture.

#### Thermal Protection

- Per current NEC.

### Performance at a Glance



## THE KIRLIN COMPANY

3401 EAST JEFFERSON AVENUE • DETROIT, MICHIGAN 48207-4232  
(313) 259-6400 • Fax: (313) 259-9409 OR (313) 259-3121 • www.kirlinlighting.com

HEALTHCARE FACILITY  
& PATIENT LIGHTING

MAXIMUM WATTAGE

1 T4Q 150

CATALOG NUMBER

RR01212

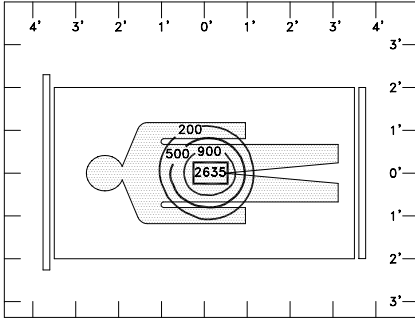
DUE TO OUR CONTINUING EFFORT TO IMPROVE PRODUCTS, TECHNICAL INFORMATION IS SUBJECT TO CHANGE WITHOUT NOTICE.

**Footcandle Distribution Data**

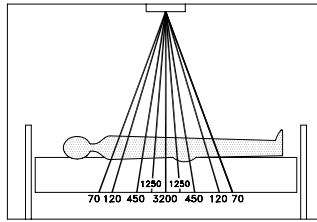
Photometry from I.T.L., Boulder, CO

- Notes:
1. All lighting levels are expressed in average footcandles, with distances expressed in feet, as measured at the work plane (3'6").
  2. The work plane (3'6") is defined as: examination bed height, plus patient body depth.
  3. Fixture is centered over examination bed with its longest axis parallel to the length of the bed.

**Ceiling Height: 8' • Work Plane: 3'6"**

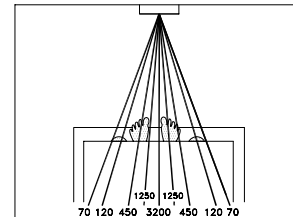


Plan View



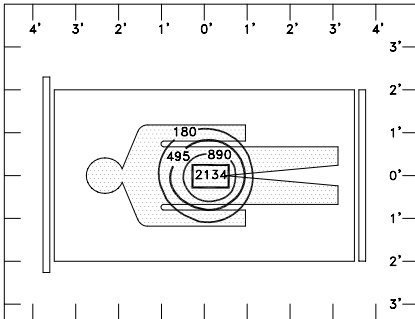
Side View

DATA FROM ITL TEST No. 53914

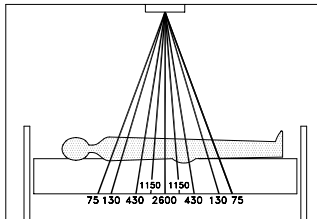


Front View

**Ceiling Height: 8'6" • Work Plane: 3'6"**

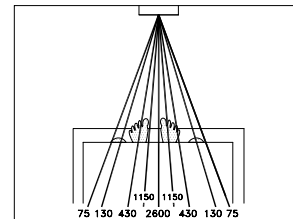


Plan View



Side View

DATA FROM ITL TEST No. 53914



Front View

**Options**

- 10 Tinted tempered glass lens instead; raises color temperature; reduces CRI and lumen output.
- 15 Prismatic C#73 flat glass lens instead. Broadens illumination distribution.
- 26 Tamperproof trim assembly with key.
- 27 Clear 1/4" tempered glass with C#73 above for added vandal resistance. Use with Option -26.
- 32 Trim extender. Broadens trim flange by 1" to cover larger ceiling opening.
- 45 Gasket between trim flange and ceiling. (Minimizes dust streaks on ceiling.)
- 46 Gasket between lens and trim. Minimizes contaminant and dust entry.
- 58 277/120 volt stepdown transformer for 277 volt line input, prewired into each fixture; with 277 volt thermal protector.
- 94 Custom color self-flanged smooth flare trim. Consult factory.
- 97 For other input supply voltages, consult factory.
- 99 Special modification. Consult factory.
- LP With tungsten halogen lamp. Specify 150 watt T4Q.
- TA Top access. For servicing from above ceiling.
- TC Teflon coated safety lens; retains glass particles in event of breakage.

**SUBMITTAL DATA**

**APPROVAL STAMP**

JOB NAME  
TYPE  
WATTAGE VOLTAGE  
CATALOG NUMBER

LIMITED WARRANTY: CATALOGED KIRLIN FIXTURES ARE WARRANTED FREE OF DEFECTS IN WORKMANSHIP OR MATERIAL FOR THREE YEARS FROM DATE OF PURCHASE. INSTALLED TO N.E.C. IN NORMAL USE. Manufacturer at the option will replace or repair each fixture or refund the purchase price on presentation of proof of purchase and defective fixture at the office of manufacturer within three years of original shipment. Liability of manufacturer is limited to the foregoing, and manufacturer shall not be liable for any other damages, direct or indirect, sustained or suffered by purchaser or any person. This warranty is supplied to the buyer in place of all other warranties, expressed or implied. Seller does not warrant as to merchantability or fitness for a particular use, nor will any oral statement constitute a warranty or amend this specific warranty. Abnormal use, abuse of the fixture, improper installation, or repair or modification of the fixture without prior written authorization from the manufacturer will render the warranty void.