

SPOTLITE™

2 LIGHT SYSTEM - 360°

RR01209

Motorized
Adjustable
Recessed Patient
Lighting System

NICU/PICU • ICU • CCU
EMERGENCY (ED)
PATIENT ROOM

250 Watt PAR 38 120 Volt



- Design:** Inconspicuous, fully recessed lensed luminaires with smooth white BioGard™ anti-microbial finish.
- Use:** Fast, single-hand adjustability using wall control.
- Function:** Precise adjustability of direction and brightness. Light beams may be superimposed or aimed separately.
- Performance:** Cool stable beams of ideal 100-CRI light provides 11° spot or 32° flood (optional) illumination.

This lighting system features **two** fully recessed **luminaires** plus a **wall control**:

Each Luminaire Offers:

- Full 360° rotation with tilt up to 35° either side of nadir
- BioGard™ anti-microbial white regressed smooth flare trim with tempered clear flat glass lens
- 250 watt, 120 volt 100 CRI tungsten halogen 3000°K lamp with 11° spot

- Lightweight construction for easy installation in any ceiling (17 pounds)
- Complete serviceability through aperture; plug-in components for easy installation and service

Wall Control Offers:

- One hand operation of controls: toggle switches for direction and power, slide dimmer for intensity
- Smooth surfaces for convenient cleaning with isopropyl alcohol

UL, C-UL (Canada) Listed • Exclusive Three Year Warranty • Designed and Produced in U.S.A.

Options

The following Options are available for RR01209. Add Option as suffix to catalog number. Example: RR01209-32-LF.

- 10 Tinted lens instead; raises color temperature; reduces CRI and lumen output.
- 32 Trim extender. Broadens trim flange O.D. by 1" to cover larger ceiling opening.
- 58 277/120 volt stepdown transformer for 277 volt line input, prewired into each fixture; with 277 volt thermal protector.
- 81 15° bottom pan achieves 50° high angle illumination in one direction. Maximum recessed depth 15-1/8".
- 87 120 volt plenum rated cable length greater than 35 feet. Consult factory.
- 94 Custom color self-flanged flare trim instead. Consult factory.
- 97 For other input supply voltages, consult factory.
- 99 Special modification. Consult factory.
- LF With 32° flood lamps instead of standard 11° spot lamps.
- LX Extra lamps. Specify 11° spot (standard) or 32° flood (Option -LF). Specify in multiples of 12.
- SE Fixtures modified for seismic anchorage (by others). Meets California OSHPD and International Building Codes. Consult factory.



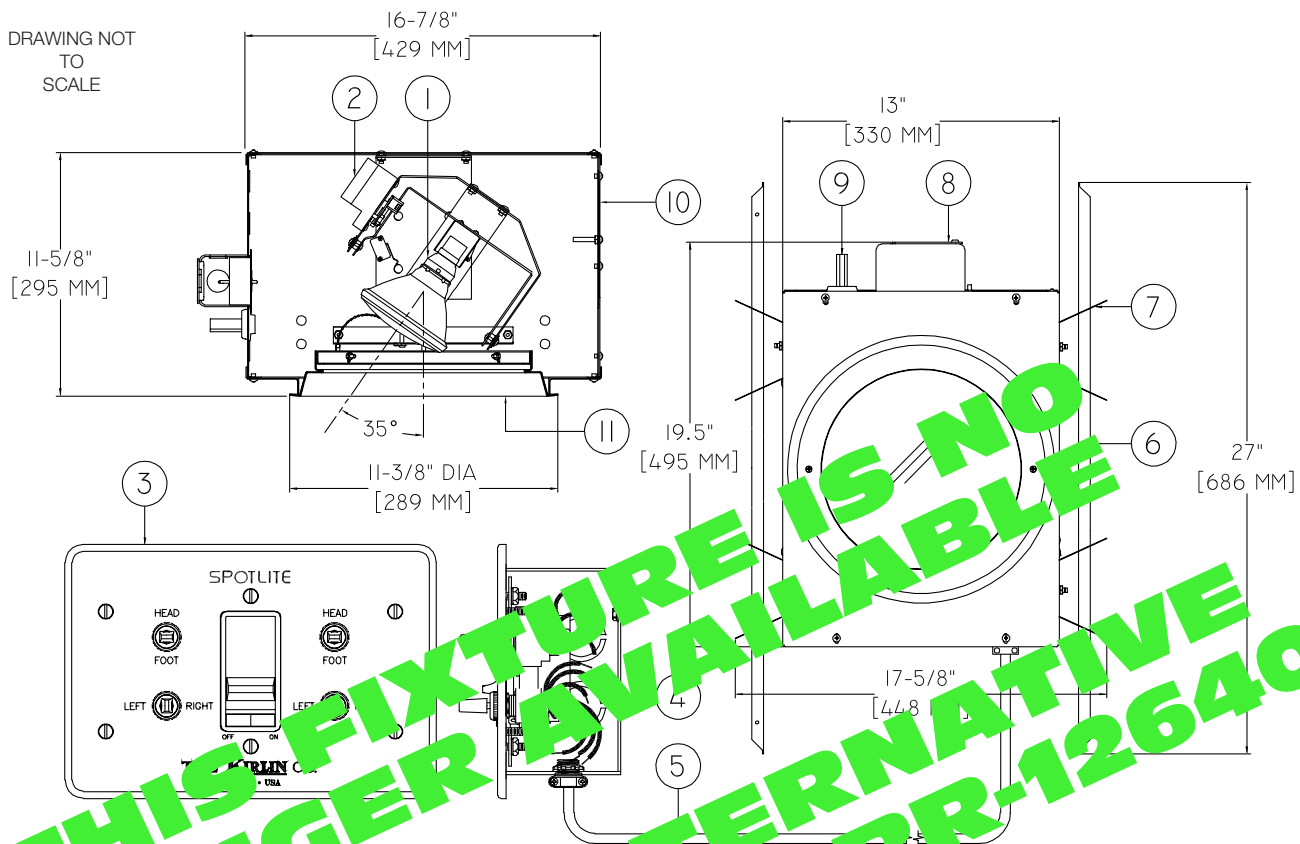
THE KIRLIN COMPANY

3401 EAST JEFFERSON AVENUE • DETROIT, MICHIGAN 48207-4232
(313) 259-6400 • Fax: (313) 259-3121 or (313) 259-9409 • www.kirlinlighting.com

RR01209

SPOTLITE™ 2 LIGHT SYSTEM - 360°

MOTORIZED WALL CONTROLLED ADJUSTABLE LIGHTING SYSTEM



THIS FIXTURE IS NO LONGER AVAILABLE FOR AN ALTERNATIVE PLEASE SEE MRR-12640

Features PER Luminaire:

Lamp and Socket ①

- 250 watt PAR 38 120 volt 11° spot 100 CRI tungsten halogen lamp (included).
- L3000°K.
- Medium base incandescent socket with Teflon® leads.

Motors / Gimbal Assembly ②

- Two 120 volt permanently lubricated motors control motion. Quiet operation.
- Rotates 360° and tilts up to 35° from nadir.
- Plug-in modular electronics designed for easy maintenance.
- Visible and easily serviced through removable trim assembly.

Wall Control ③

(one per lighting system)

- Includes all function controls (power, direction, brightness). (Detail next page.)
- **UL listed back box ④ provided must be used for proper fit of electronics.** 1/2" and 3/4" trade size knockouts.

Plenum rated cable ⑤

- Each luminaire provided with 35' 120 volt plenum rated cable for connection to color coded switches & dimming control

(6 conductors) on wall control module. For optional cable length, see Option -87.

Installation

- Lightweight 17 pound fixture recesses in all ceilings including suspended ceilings.
- For seismic anchorage, see Option -SE.
- May be installed (per NEC, mandatory) by any qualified electrician. Factory representative need not be present.
- Two 27" (69cm) galvanized channel bar hangers supplied. ⑥
- Four Kirlin fully adjustable universal mounting brackets supplied. ⑦

Junction Box (luminaire) ⑧

- Prewired 14 GA (NEC) galvanized steel, UL listed. Contains fuse and holder.
- Removable insulated cover.
- 1/2" and 3/4" knockouts.

Thermal Protection ⑨

- Per current NEC.

Housing ⑩

- Acrylic enameled aluminum.
- Cool: Dissipates heat across entire surface area.
- Rustproof: Exceeds 1000 hour ASTM 5% salt spray test.

- Entire luminaire serviced through removable trim assembly.
- Built-in plaster frame.

Trim Assembly ⑪

- White regressed self-flanged flare with Kirlin BioGard™ anti-microbial finish.
- 12" diameter. Smooth surface.
- Regressed tempered clear flat glass lens.

Stepdown Transformer

• When Option -58 is selected:

- WhisperPack™ fully encapsulated 277/120 volt Class H transformer for 277 volt line input. Prewired into fixture; with 277 volt thermal protector. Fused (in J-box).
- Cool, quiet, long life. Silicone leads.
- Visible and easily serviced in all ceilings, including dry wall.

UL, C-UL (Canada) Listings

- Damp or dry locations, covered ceilings.
- Through branch circuit conductors. (6#12)

State of California OSHPD Seismic Anchorage Pre-Approved.

Warranty

- Complete standard fixture and wall control, three years. (Lamps excluded)

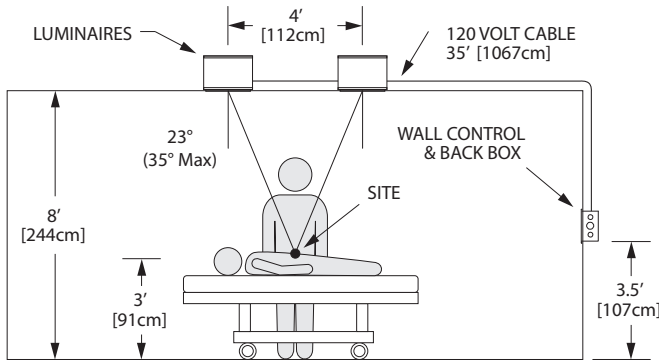
PER SINGLE LUMINAIRE OPERATING CURRENT 2.10A MAXIMUM DRAW 2.20A

MOTORIZED WALL CONTROLLED ADJUSTABLE LIGHTING SYSTEM

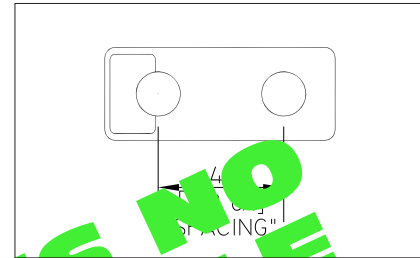
SPOTLITE™
2 LIGHT SYSTEM - 360°

RR01209

Typical Side View



Typical Top Views



For optimal performance, fixtures should be placed 4' apart

SPOTLITE™ Footcandle Performance

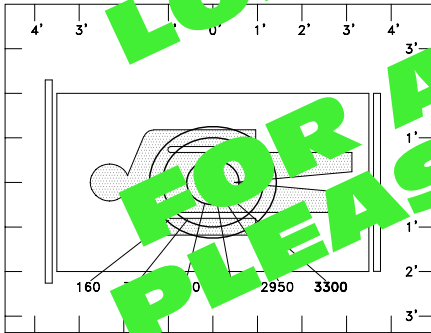
Data shown for 4' spacing

8' CEILING HEIGHT	8'6" CEILING HEIGHT	9' CEILING HEIGHT
3,300 fc	2,800 fc	2,400 fc

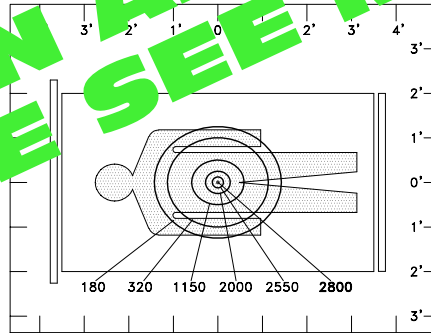
Footcandle performance calculations are based on lamp manufacturers' published initial lumen ratings. Individual lamps may vary significantly, particularly with age.

Footcandle Distribution Data

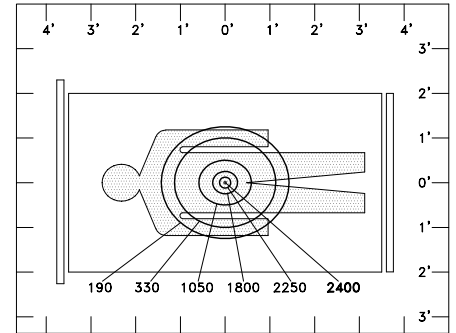
Ceiling Height: 8' - Work Plane: 3'6"



Ceiling Height: 8'6" - Work Plane: 3'6"



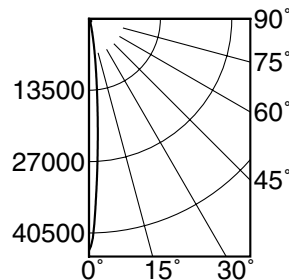
Ceiling Height: 9' - Work Plane: 3'6"



Performance at a Glance - Single Luminaire

Photometric testing by I.T.L. (Boulder, CO)
I.T.L. Test No. 48779

S/MH 0.2
EFFICIENCY = 84.8%



Cone of Light*

Ft.	FC	Dia.
4.5	2162.8	0.3
5.0	1751.9	0.3
5.5	1447.8	0.3
6.0	1216.6	0.4
6.5	1036.6	0.4
7.0	893.8	0.4

Cone of Light Key
Ft. Distance from fixture
FC Footcandles (average)
Dia. Circle of light at 50% of FC

* Dia. (in ft.) shown is where FC value is half the FC at nadir.

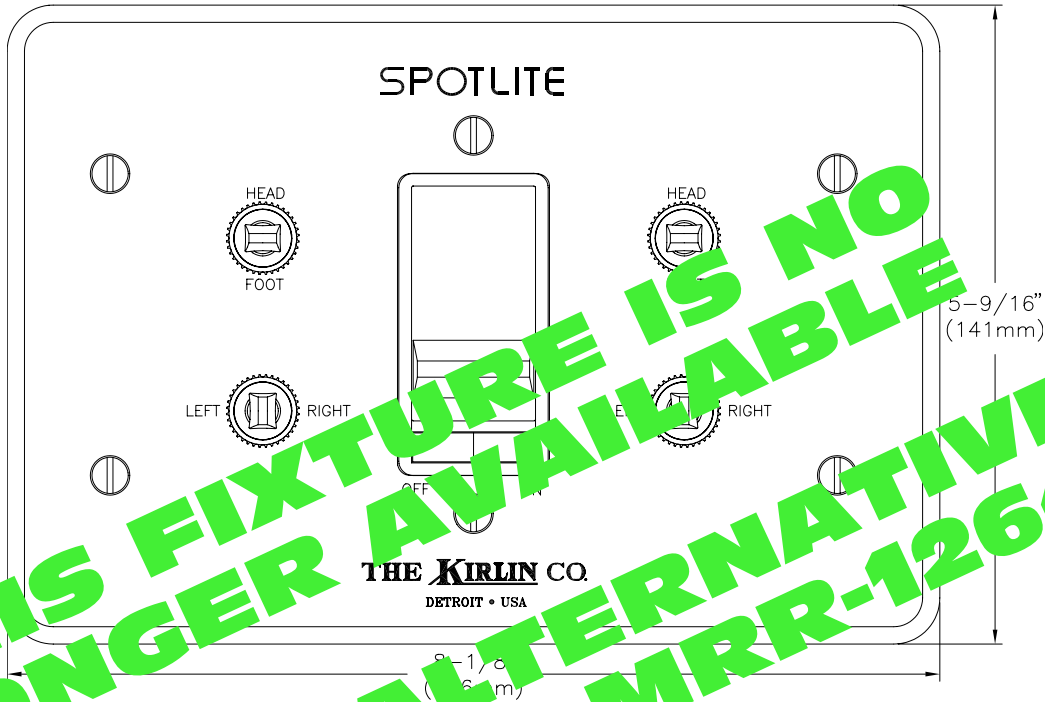
RR01209

SPOTLITE™
2 LIGHT SYSTEM - 360°
250 WATT / 120 VOLT

MOTORIZED WALL CONTROLLED
ADJUSTABLE LIGHTING SYSTEM

WALL CONTROL PANEL

(INSTALLED IN ROOM WALL - NOT TO SCALE)



THIS FIXTURE IS NO LONGER AVAILABLE FOR AN ALTERNATIVE PLEASE SEE MRR-12640

- Function switches for
 - Power
 - Intensity (dimmer or brighter)
 - Direction for each luminaire individually (Rotates 360°, with tilt up to 35° either side of nadir).
- Convenient one hand operation.
- Smooth surfaces for easy cleaning.

SUBMITTAL DATA

APPROVAL STAMP

JOB NAME
 TYPE
 WATTAGE VOLTAGE
 CATALOG NUMBER