

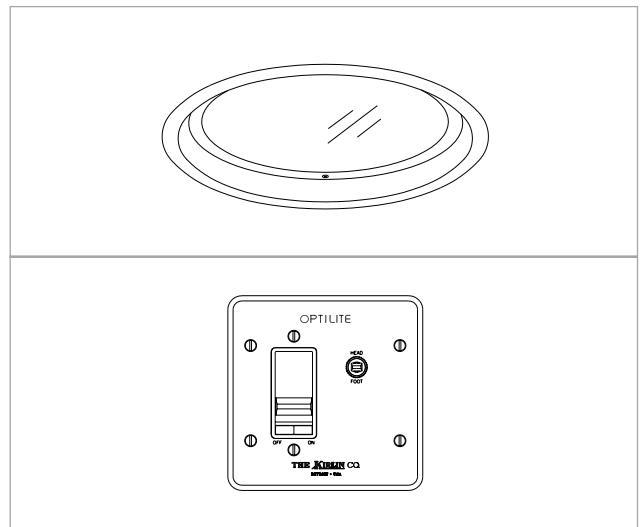
OPTILITE™

1 LIGHT SYSTEM - Linear **RR01208**

Motorized
Adjustable
Recessed Patient
Lighting System

ED • ICU • CCU
PATIENT ROOM
PATHOLOGY LAB • NICU/PICU

150 Watt 120 Volt System



Design: Inconspicuous, fully recessed lensed luminaire with smooth white finish.

Use: Fast, single-hand adjustability using wall control.

Function: Precise adjustability of direction and brightness.

Performance: Cool stable beam of ideal 100 CRI light provides optimal illumination of patient.

This lighting system features one fully recessed **luminaire** plus a **wall control**:

• **Luminaire Offers:**

- Linear sweep from head to foot (tilts up to 35° either side of nadir)
- Exclusive cold mirrored reflector to remove heat from the beam for comfort
- Sleek white regressed smooth flare trim with with tempered clear flat glass lens
- 150 watt, 120 volt 100 CRI tungsten halogen lamp for accurate visualization and color rendering
- Lightweight construction for easy installation in any ceiling (18 pounds)
- Complete serviceability through the aperture; plug-in components for easy installation and service

• **Wall Control Offers:**

- One hand operation of controls: toggle switches for direction and power, slide dimmer for intensity
- Smooth surfaces for convenient cleaning with isopropyl alcohol

UL, C-UL (Canada) Listed • Exclusive Three Year Warranty • Designed and Produced in U.S.A.

Options The following Options are available for RR01208. Add Option as suffix to catalog number. Example: RR01208-32-RF.

- | | | |
|---|---|--|
| -10 Tinted lens instead; raises color temperature; reduces CRI and lumen output. | -87 120 volt plenum rated cable length greater than 35 feet. Consult factory. | -LX Extra lamps. Specify in multiples of 12. |
| -32 Trim extender. Broadens trim flange O.D. by 1" to cover larger ceiling opening. | -94 Custom color self-flanged flare trim instead. Consult factory. | -SE Fixture modified to accept seismic anchorage (by others). Meets CA, Uniform & International Building Codes. Consult factory. |
| -58 277/120 volt stepdown transformer for 277 volt line input, prewired into each fixture; with 277 volt thermal protector. | -97 For other input supply voltages, consult factory. | |
| | -99 Special modification. Consult factory. | |

KIRLIN

THE KIRLIN COMPANY

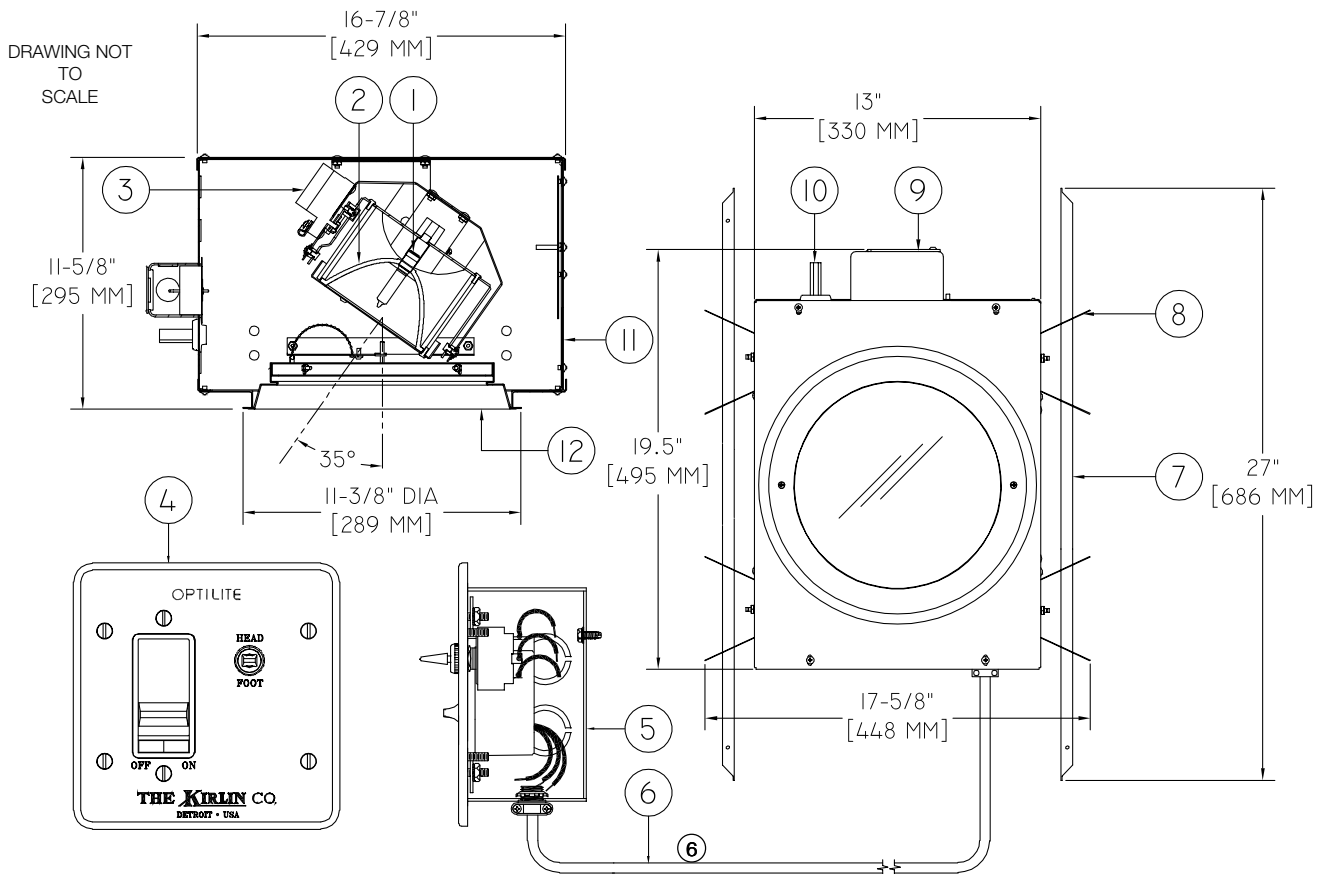
3401 EAST JEFFERSON AVENUE • DETROIT, MICHIGAN 48207-4232
(313) 259-6400 • Fax: (313) 259-3121 or (313) 259-9409 • www.kirlinlighting.com

DUE TO OUR CONTINUING EFFORT TO IMPROVE PRODUCTS,
TECHNICAL INFORMATION IS SUBJECT TO CHANGE WITHOUT NOTICE

RR01208

OPTILITE™ 1 LIGHT SYSTEM - Linear

MOTORIZED WALL CONTROLLED ADJUSTABLE LIGHTING SYSTEM



Lamp and Socket (1)

- 150 watt 120 volt 100 CRI DCB base tungsten halogen lamp (included).
- 3000°K.
- Double contact bayonet socket with Teflon® leads.

Reflector (2)

- Cold mirrored glass reflector - removes heat from light beam.

Motors / Gimbal Assembly (3)

- One 120 volt permanently lubricated motor controls motion. Quiet operation.
- Linear sweep from head to foot (tilts up to 35° either side of nadir).
- Plug-in modular electronics designed for easy maintenance.
- Visible and easily serviced through removable trim assembly.

Wall Control (4)

(one per lighting system)

- Includes all function controls (power, direction, brightness). (Detail next page.)
- **UL listed back box (5) provided must be used for proper fit of electronics.** 1/2" and 3/4" trade size knockouts.

Plenum Rated Cable (6)

- Each luminaire provided with 35' 120 volt plenum rated cable for connection to

color coded switches & dimming control (6 conductors) on wall control module. For optional cable length, see Option -87.

Installation

- Lightweight 18 pound recesses in all ceilings including suspended ceilings.
- For seismic anchorage, see Option -SE.
- May be installed (per NEC, mandatory) by any qualified electrician. Factory representative need not be present.
- Two 27" (69cm) galvanized channel bar hangers supplied. (7)
- Four Kirlin fully adjustable universal mounting brackets supplied. (8)

Junction Box (luminaire) (9)

- Prewired 14 GA (NEC) galvanized steel, UL listed. Contains fuse and holder.
- Removable insulated cover.
- 1/2" and 3/4" knockouts.

Thermal Protection (10)

- Per current NEC.

Housing (11)

- Acrylic enameled aluminum.
- Cool: Dissipates heat across entire surface area.
- Rustproof: Exceeds 1000 hour ASTM 5% salt spray test.

- Entire luminaire serviced through removable trim assembly.
- Built-in plaster frame.

Trim Assembly (12)

- White regressed self-flanged flare.
- 12" diameter. Smooth surface.
- Regressed tempered clear flat glass lens.

Stepdown Transformer

• When Option -58 is selected:

- WhisperPack™ fully encapsulated 277/120 volt Class H transformer for 277 volt line input. Prewired into fixture; with 277 volt thermal protector. Fused (in J-box).
- Cool, quiet, long life. Silicone leads.
- Visible and easily serviced in all ceilings, including dry wall.

UL, C-UL (Canada) Listings

- Damp or dry locations, covered ceilings.
- Through branch circuit conductors. (6#12)

State of California OSHPD Seismic Anchorage Pre-Approved.

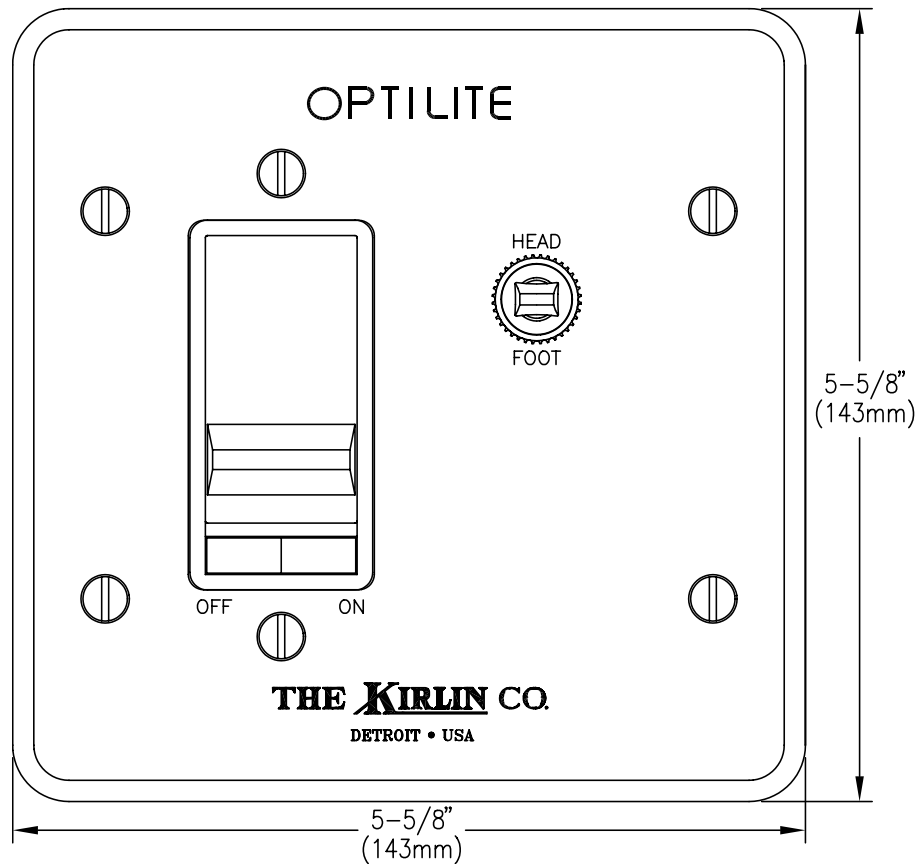
Warranty

- Complete standard fixture and wall control, three years. (Lamps excluded)

PER SINGLE LUMINAIRE OPERATING CURRENT 1.25A MAXIMUM DRAW 1.30A

WALL CONTROL PANEL

(INSTALLED IN ROOM WALL - NOT TO SCALE)



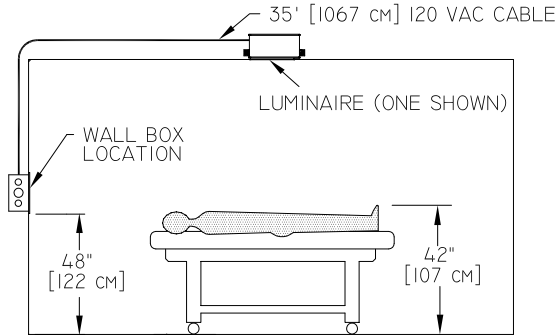
- Function switches for:
 - Power
 - Intensity (dimmer or brighter)
 - Direction
(linear sweep from head to foot -
tilts up to 35° either side of nadir).
- Convenient one hand operation.
- Smooth surfaces for easy cleaning.

RR01208

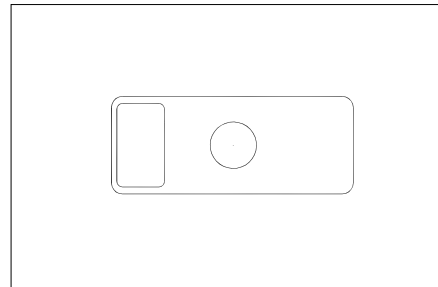
OPTILITE™
1 LIGHT SYSTEM - Linear
150 WATT / 120 VOLT

MOTORIZED WALL CONTROLLED ADJUSTABLE LIGHTING SYSTEM

Typical Side View



Typical Top View



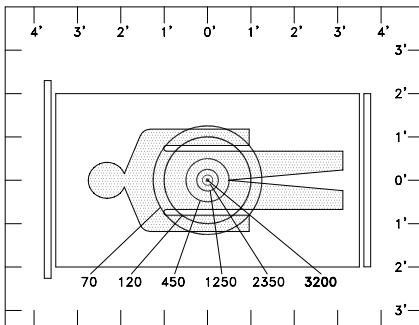
OPTILITE™ Footcandle Performance

8' CEILING HEIGHT	8'6" CEILING HEIGHT	9' CEILING HEIGHT
3,200 fc	2,600 fc	2,150 fc

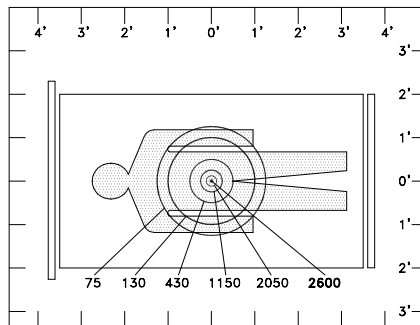
Footcandle performance calculations are based on lamp manufacturers' published initial lumen ratings. Individual lamps may vary significantly, particularly with age.

Footcandle Distribution Data

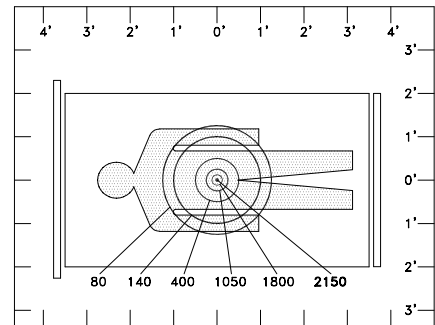
Ceiling Height: 8'
 Work Plane: 3'6"



Ceiling Height: 8'6"
 Work Plane: 3'6"



Ceiling Height: 9'
 Work Plane: 3'6"

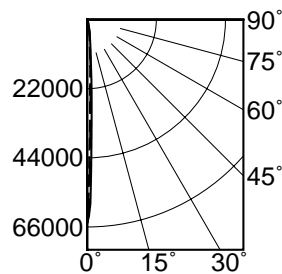


Performance at a Glance

Photometric testing by I.T.L. (Boulder, CO)
 I.T.L. Test No. 53914

- 0° S/MH 0.1
- 90° S/MH 0.1
- 180° S/MH 0.1

EFFICIENCY = 67.8%



Cone of Light*

Ft.	FC	Dia.
4.5	3202.2	0.3
5.0	2593.8	0.3
5.5	2143.6	0.3
6.0	1801.3	0.4
6.5	1534.8	0.4
7.0	1323.4	0.4

Cone of Light Key

- Ft.** Distance from fixture
- FC** Footcandles (average)
- Dia.** Circle of light at 50% of FC

* Dia. (in ft.) shown is where FC value is half the FC at nadir.