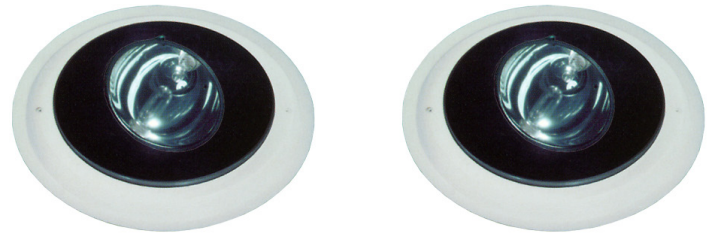


OPTILITE™

2 LIGHT SYSTEM - 360°

RR01206

Motorized
Adjustable
Recessed Patient
Lighting System



ED • CATH LAB • ICU
PATIENT ROOM • CCU
AUTOPSY • NICU/PICU



150 Watt 120 Volt System

Design: Inconspicuous, fully recessed lensed luminaires with smooth white BioGard™ anti-microbial finish.

Use: Fast, single-hand adjustability using wall control.

Function: Precise adjustability of direction and brightness. Light beams may be superimposed or aimed separately.

Performance: Cool stable beams of ideal 100 CRI light provide optimal illumination of patient.

This lighting system features **two** fully recessed **luminaires** plus a **wall control**:

Each Luminaire Offers:

- Full 360° rotation with tilt up to 35° either side of nadir
- Exclusive cold mirrored reflector to remove heat from the beam for patient comfort
- BioGard™ anti-microbial white regressed smooth flare trim with tempered clear flat glass lens

- 150 watt, 120 volt 100 CRI tungsten halogen lamp for accurate visualization and color rendering
- Lightweight construction for easy installation in any ceiling (18 pounds)
- Complete serviceability through aperture; plug-in components for easy installation and service

Wall Control Offers:

- One hand operation of controls: toggle switches for direction and power, slide dimmer for intensity
- Smooth surfaces for convenient cleaning with isopropyl alcohol

UL, C-UL (Canada) Listed • Exclusive Three Year Warranty • Designed and Produced in U.S.A.

Options

The following Options are available for RR01206. Add Option as suffix to catalog number. Example: RR01206-32-RF.

- 10 Tinted lens instead; raises color temperature; reduces CRI and lumen output.
- 32 Trim extender. Broadens trim flange O.D. by 1" to cover larger ceiling opening.
- 58 277/120 volt stepdown transformer for 277 volt line input, prewired into each fixture; with 277 volt thermal protector.
- 81 15° bottom pan achieves 50° high angle illumination in one direction. Maximum recessed depth 15-1/8".
- 87 120 volt plenum rated cable length greater than 35 feet. Consult factory.
- 94 Custom color self-flanged flare trim instead. Consult factory.
- 97 For other input supply voltages, consult factory.
- 99 Special modification. Consult factory.
- LX Extra lamps. Specify in multiples of 12.
- SE Fixture modified to accept seismic anchorage (by others). Meets California OSHPD and International Building Codes. Consult factory.



THE KIRLIN COMPANY

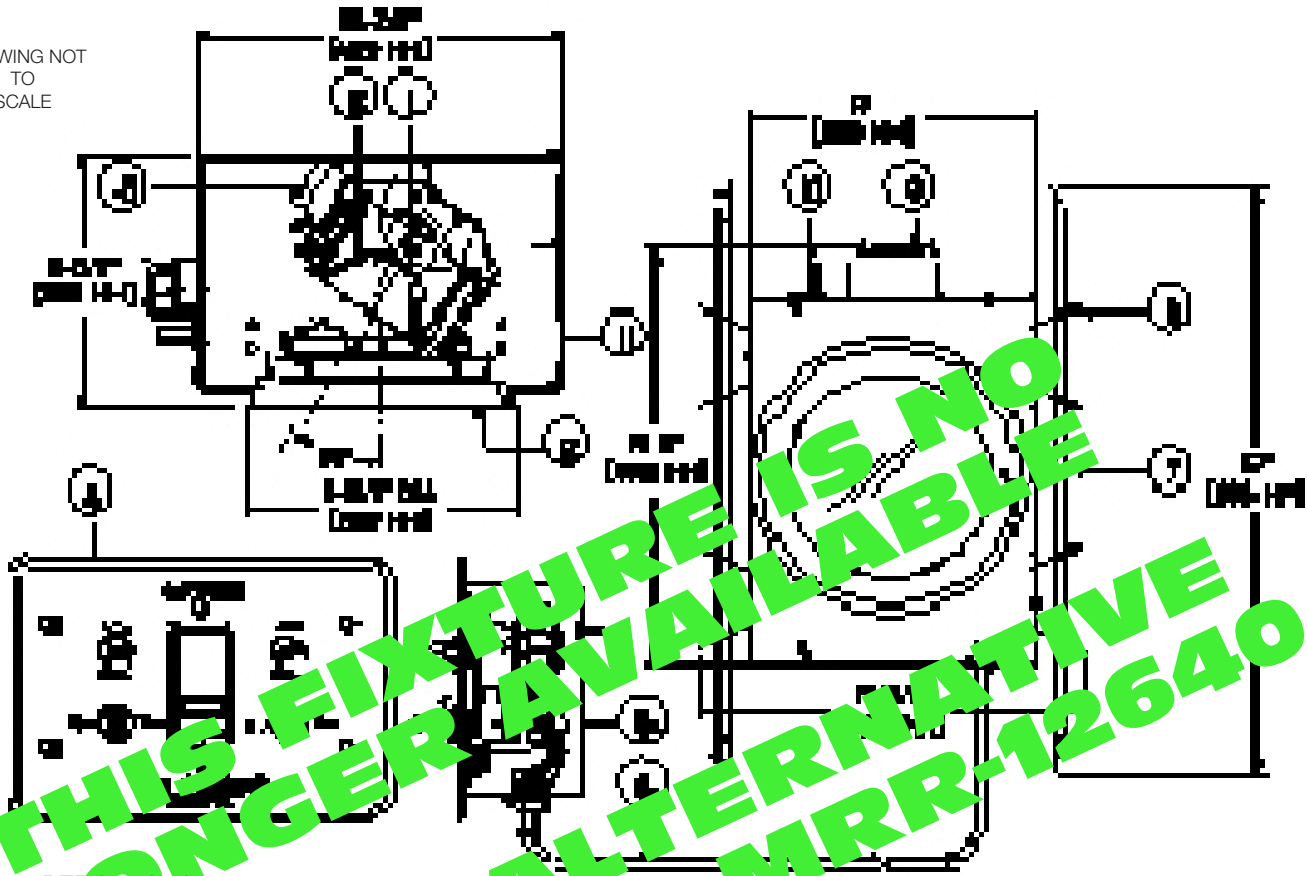
3401 EAST JEFFERSON AVENUE • DETROIT, MICHIGAN 48207-4232
(313) 259-6400 • Fax: (313) 259-3121 or (313) 259-9409 • www.kirlinlighting.com

RR01206

OPTILITE™
2 LIGHT SYSTEM - 360°

MOTORIZED WALL CONTROLLED
ADJUSTABLE LIGHTING SYSTEM

DRAWING NOT
TO
SCALE



Features PER Luminaire:

Lamp and Socket ①

- 150 watt 120 volt 100 CRI DCB base tungsten halogen lamp (included).
- 3000°K.
- Double contact bayonet socket with Teflon® leads.
- color coded switches & dimming control (6 conductors) on wall control module.
- For optional cable length, see Option -87.

Reflector ②

- Cold mirrored glass reflector - removes heat from light beam.

Motors / Gimbal Assembly ③

- Two 120 volt permanently lubricated motors control motion. Quiet operation.
- Rotates 360° and tilts up to 35° from nadir.
- Plug-in modular electronics designed for easy maintenance.
- Visible and easily serviced through removable trim assembly.

Wall Control ④

(one per lighting system)

- Includes all function controls (power, direction, brightness). (Detail next page.)
- **UL listed back box ⑤ provided must be used for proper fit of electronics.** 1/2" and 3/4" trade size knockouts.

Plenum Rated Cable ⑥

- Each luminaire provided with 35' 120 volt plenum rated cable for connection to

Installation

- Lightweight 18 pound fixture recesses in all ceilings including suspended ceilings.
- For seismic anchorage, see Option -SE.
- May be installed (per NEC, mandatory) by any qualified electrician. Factory representative need not be present.
- Two 27" (69cm) galvanized channel bar hangers supplied. ⑦
- Four Kirlin fully adjustable universal mounting brackets supplied. ⑧

Junction Box (luminaire) ⑨

- Prewired 14 GA (NEC) galvanized steel, UL listed. Contains fuse and holder.
- Removable insulated cover.
- 1/2" and 3/4" knockouts.

Thermal Protection ⑩

- Per current NEC.

Housing ⑪

- Acrylic enameled aluminum.
- Cool: Dissipates heat across entire surface area.
- Rustproof: Exceeds 1000 hour ASTM 5% salt spray test.

- Entire luminaire serviced through removable trim assembly.
- Built-in plaster frame.

Trim Assembly ⑫

- White regressed self-flanged flare with Kirlin BioGard™ anti-microbial finish.
- 12" diameter. Smooth surface.
- Regressed tempered clear flat glass lens.

Stepdown Transformer

• When Option -58 is selected:

- WhisperPack™ fully encapsulated 277/120 volt Class H transformer for 277 volt line input. Prewired into fixture; with 277 volt thermal protector. Fused (in J-box).
- Cool, quiet, long life. Silicone leads.
- Visible and easily serviced in all ceilings, including dry wall.

UL, C-UL (Canada) Listings

- Damp or dry locations, covered ceilings.
- Through branch circuit conductors. (6#12)

State of California OSHPD Seismic Anchorage Pre-Approved.

Warranty

- Complete standard fixture and wall control, three years. (Lamps excluded)

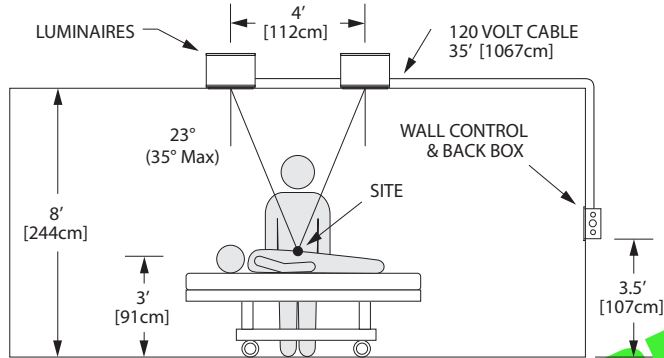
PER SINGLE LUMINAIRE OPERATING CURRENT 1.25A MAXIMUM DRAW 1.30A

MOTORIZED WALL CONTROLLED ADJUSTABLE LIGHTING SYSTEM

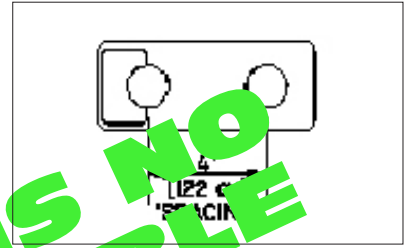
OPTILITE™
2 LIGHT SYSTEM - 360°

RR01206

Typical Side View



Typical Top Views



For optimal performance, fixtures should be placed 4' apart

OPTILITE™

Footcandle Performance

Data shown for 4' spacing

8' CEILING HEIGHT	8'6" CEILING HEIGHT	9' CEILING HEIGHT
4,900 fc	4,150 fc	3,550 fc

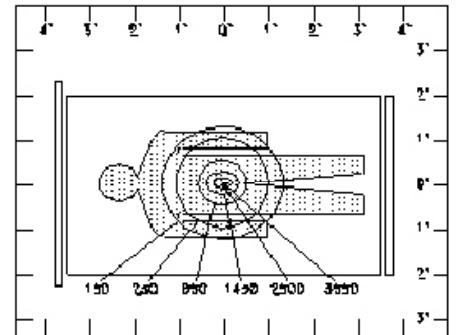
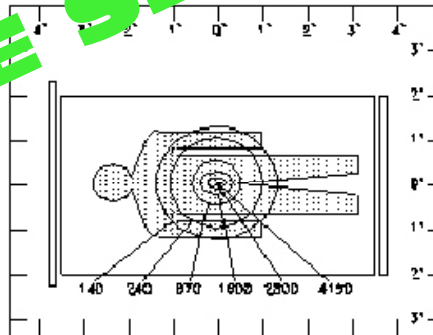
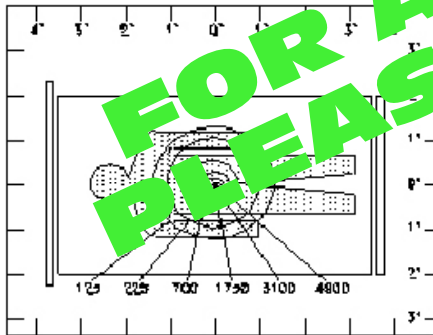
Footcandle performance calculations are based on lamp manufacturers' published initial lumen ratings. Individual lamps may vary significantly, particularly with age.

Footcandle Distribution Data

Ceiling Height: 8' - Work Plane: 3'

Ceiling Height: 8'6" - Work Plane: 3'6"

Ceiling Height: 9' - Work Plane: 3'6"

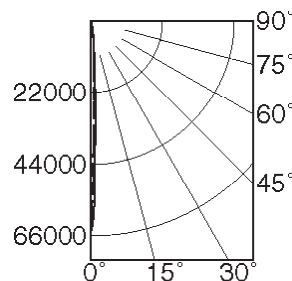


Performance at a Glance - Single Luminaire

Photometric testing by I.T.L. (Boulder, CO)
I.T.L. Test No. 53914

- 0° S/MH 0.1
- 90° S/MH 0.1
- 180° S/MH 0.1

EFFICIENCY = 67.8%



Cone of Light*

Ft.	FC	Dia.
4.5	3202.2	0.3
5.0	2593.8	0.3
5.5	2143.6	0.3
6.0	1801.3	0.4
6.5	1534.8	0.4
7.0	1323.4	0.4

Cone of Light Key

- Ft. Distance from fixture
- FC Footcandles (average)
- Dia. Circle of light at 50% of FC

* Dia. (in ft.) shown is where FC value is half the FC at nadir.

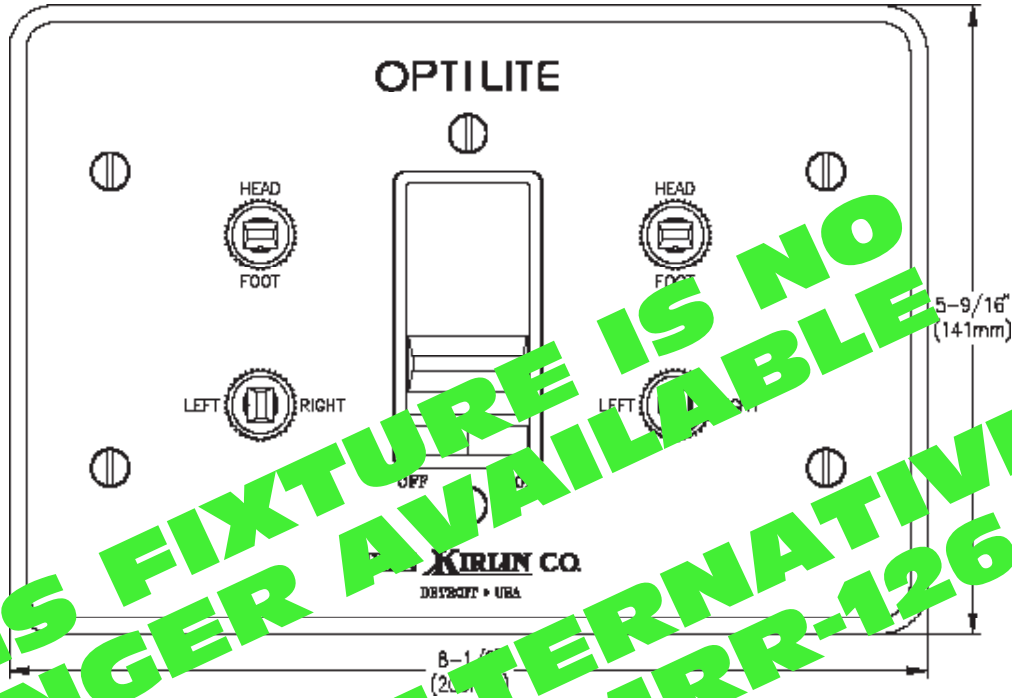
RR01206

OPTILITE™
2 LIGHT SYSTEM - 360°
150 WATT / 120 VOLT

MOTORIZED WALL CONTROLLED
ADJUSTABLE LIGHTING SYSTEM

WALL CONTROL PANEL

(INSTALLED IN ROOM WALL - NOT TO SCALE)



THIS FIXTURE IS NO LONGER AVAILABLE FOR AN ALTERNATIVE PLEASE SEE MRR-12640

- Function switches for:
 - Power
 - Intensity (dimmer or brighter)
 - Direction for each luminaire individually (Rotates 360°, with tilt up to 35° either side of nadir).
- Convenient one hand operation.
- Smooth surfaces for easy cleaning.

SUBMITTAL DATA

APPROVAL STAMP

JOB NAME
TYPE
WATTAGE VOLTAGE
CATALOG NUMBER