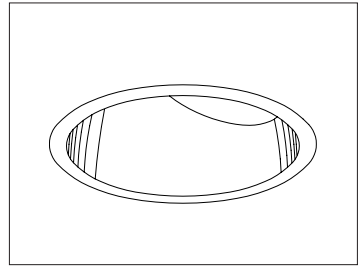


CATALOG #	TYPE	
JOB NAME	WATTAGE	VOLTAGE

9" 1 PAR56 500 WATT MAXIMUM

RR00914

360° x 30° Adjustable Medical Exam Light: Rotates • Tilts • Locks - Ideal for Cluttered Plenums



Features

Lamp

- Designed for: 500 watt PAR56 medium flood tungsten halogen lamp (by others).
- Long life (4000 hour) PAR 56 lamp reduces probability of total light loss during exams or procedures.
- Tilts 90° for relamping.
- Safety tempered prismatic C#73 flat glass reduces glare to the patient by eliminating direct view of lamp and provides protective lamp shield.
- 3000°K color temperature and 100 CRI for accurate tissue rendering and patient evaluation.
- Dimmable (controls by others).

Socket Assembly

- Rotates, tilts and locks: 360° x 30°.
- Porcelain mogul end-prong socket.

Reflector

- Self-flanged parabolic Soflex softly etched Alzak® aluminum. Resists fingerprints, smudges, dust.
- Optional colors and finishes available.

Housing

- Cool, acrylic enameled aluminum.

- Dissipates heat across entire surface area. Ventilated for convection cooling.
- Rustproof: Exceeds 1000 hour ASTM 5% salt spray test.
- Entire luminaire serviced through removable reflector.
- Built-in plaster frame. Also see Option -79.

Outlet Box

- Prewired 14 GA (NEC) galvanized steel, UL listed; with removable insulated cover.
- 1/2" and 3/4" knockouts.

Installation

- Lightweight: 15 pounds. Recesses in any ceiling type.
- 27" galvanized hanger bars with adjustable mounting brackets supplied.

UL C-UL (Canada) Listings

- Wet, damp or dry locations, covered ceilings.
- Through-branch circuit conductors (6 #12). Supply wire rating: 105°C.

Three Year Limited Warranty

- Complete standard fixture.

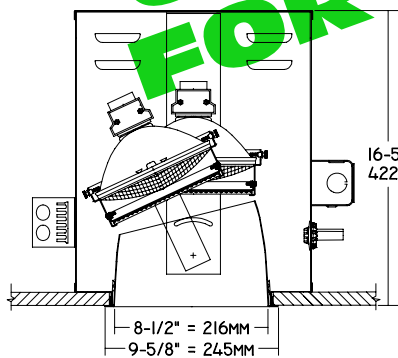
Thermal Protection

- Per current NEC.

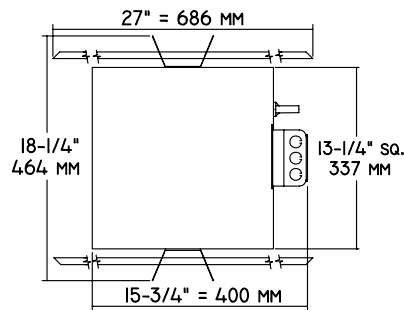
Recessed Round
Lensed
Adjustable
Exam

Performance at a Glance

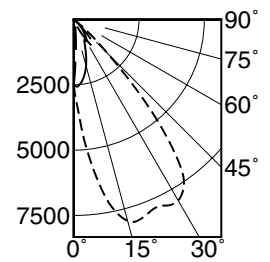
RR00914



Ceiling Cut-out
9"



"MARKED SPACINGS CAUTION"
INSTALL WITH MINIMUM SPACINGS AS FOLLOWS: 2 FEET BETWEEN CENTERS OF ADJACENT FIXTURES; 1/2" BETWEEN FIXTURE TOP AND OVERHEAD BUILDING MEMBER; 1 FOOT BETWEEN FIXTURE CENTER AND SIDE WALL.



--- 0° SC 1.4
— 90° SC 1.3
- - - 180° SC 1.3
EFFICIENCY: 58.7%

THE KIRLIN COMPANY

3401 EAST JEFFERSON AVENUE • DETROIT, MICHIGAN 48207-4232
(313) 259-6400 • Fax: (313) 259-9409 OR (313) 259-3121 • www.kirlinlighting.com

HEALTHCARE FACILITY
& PATIENT LIGHTING

MAXIMUM WATTAGE

1 PAR56 500

CATALOG NUMBER

RR00914

DUE TO OUR CONTINUING EFFORT TO IMPROVE PRODUCTS, TECHNICAL INFORMATION IS SUBJECT TO CHANGE WITHOUT NOTICE.

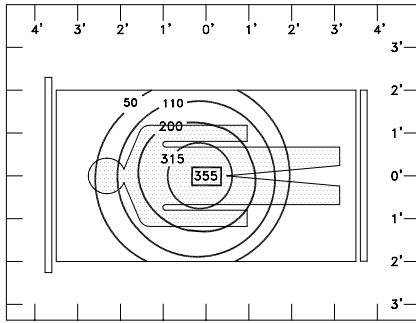
Alzak® is a registered trademark of ALCOA.

Footcandle Distribution Data

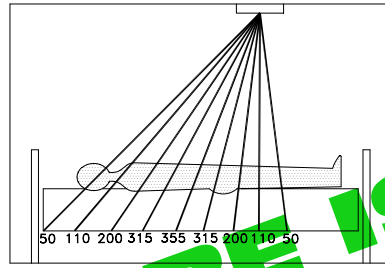
Photometry from I.T.L., Boulder, CO

- Notes:
1. All lighting levels are expressed in average footcandles, with distances expressed in feet, as measured at the work plane (3'6").
 2. The work plane (3'6") is defined as: examination bed height, plus patient body depth.
 3. Fixture is centered over examination bed with its longest axis parallel to the length of the bed.

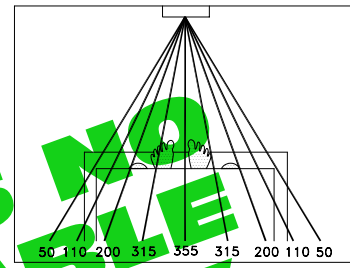
Ceiling Height: 8' • Work Plane: 3'6"



Plan View

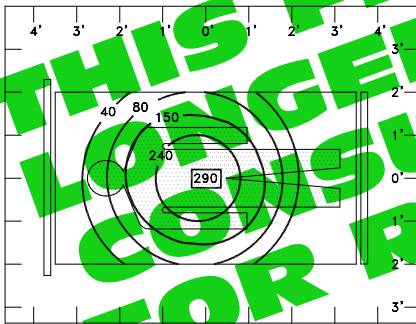


Side View

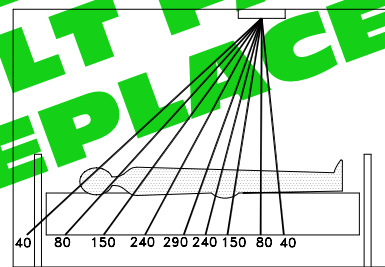


Front View

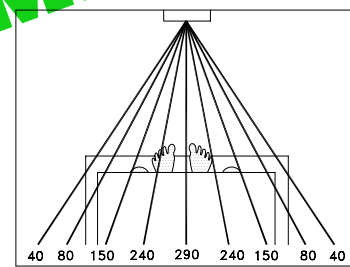
Ceiling Height: 8'6" • Work Plane: 3'6"



Plan View



Side View



Front View

THIS FIXTURE IS NO LONGER AVAILABLE FOR REPLACEMENT CONSULT FACTORY

Options

- 30 White self-flanged reflector.
- 31 White flange (only) on reflector.
- 32 Trim extender. Broadens trim flange by 1" to cover larger ceiling opening.
- 45 Gasket above reflector flange. (Minimizes dust streaks on ceiling.)
- 62 Clear specular Alzak® self-flanged reflector.
- 68 Matte black self-flanged reflector with white flange.
- 79 Extension collar for up to 2" thick ceiling.
- 82 Sloped ceiling adapter, with mounting hardware. Specify 5° increments up to 30°.
- 94 SofTex or specular custom color self-flanged reflector. Consult factory.
- 97 For other input supply voltages, consult factory.
- 99 Special modification. Consult factory.
- LP With lamp. 500 watt PAR56 flood tungsten halogen. 4000 hour life rating.
- TA Top access. For servicing from above ceiling.

SUBMITTAL DATA

APPROVAL STAMP

JOB NAME _____
 TYPE _____
 WATTAGE _____ VOLTAGE _____
 CATALOG NUMBER _____

LIMITED WARRANTY: CATALOGED KIRLIN FIXTURES ARE WARRANTED FREE OF DEFECTS IN WORKMANSHIP OR MATERIAL FOR THREE YEARS FROM DATE OF PURCHASE. INSTALLED TO N.E.C. IN NORMAL USE. Manufacturer at the option will replace or repair each fixture or refund the purchase price on presentation of proof of purchase and defective fixture at the office of manufacturer within three years of original shipment. Liability of manufacturer is limited to the foregoing, and manufacturer shall not be liable for any other damages, direct or indirect, sustained or suffered by purchaser or any person. This warranty is supplied to the buyer in place of all other warranties, expressed or implied. Seller does not warrant as to merchantability or fitness for a particular use, nor will any oral statement constitute a warranty or amend this specific warranty. Abnormal use, abuse of the fixture, improper installation, or repair or modification of the fixture without prior written authorization from the manufacturer will render the warranty void.