

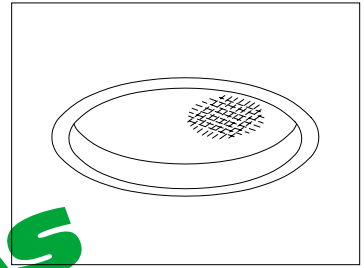
CATALOG #	TYPE	
JOB NAME	WATTAGE	VOLTAGE

8" 1 T4Q 250 WATT MAXIMUM

RR00874

## "Cool Beam" Exam Light

### 70% of Heat Removed from Beam



### Features

#### Lamp Assembly

- Designed for:
  - 1 vertical 250 watt (max.) T4Q frosted tungsten halogen lamp (by others).
- 3200°K color temperature and 98 CRI for accurate tissue rendering and patient evaluation. Rated 2000 hour life.
- Double contact bayonet base (DCB) socket is mounted to aluminum heat sink to reduce lamp and socket heat, providing maximum lamp and component life.
- Additional heavy gauge die-formed aluminum heat sinks conduct heat efficiently away from lamp, socket and reflector area.
- Dimmable (controls by others).

#### Reflector

- High efficiency cold mirrored parabolic glass reflector, removes 70% of heat from beam.

#### Trim Assembly

- Self-flanged hydroformed seamless tapered aluminum flare trim with white finish.
- Smooth surface prevents contaminant or dust build-up. Easily cleaned.
- Regressed tempered prismatic C#73 flat glass lens standard.

- Optional Fresnel, Teflon coated, and tempered tinted lenses available.

#### Housing

- Cool, acrylic enameled aluminum.
- Dissipates heat across entire surface area. Ventilated for convection cooling.
- Rustproof. Exceeds 1000 hour ASTM 5% salt spray test.
- Entire luminaire serviced through aperture.
- 2" mounting collar permits thicker ceiling installations. Built-in plaster frame.

#### Outlet Box

- Prewired 14 GA (NEC) galvanized steel, UL listed, with removable insulated cover.
- 1/2" and 3/4" knockouts.

#### Installation

- 27" galvanized hanger bars with adjustable mounting brackets supplied.
- Lightweight. Recesses in any ceiling type.

#### UL, C-UL (Canada) Listings

- Wet, damp or dry locations, covered ceilings.
- Restricted to end-of-run use. Supply wire rating: 90°C.

#### Three Year Limited Warranty

- Complete standard fixture.

#### Thermal Protection

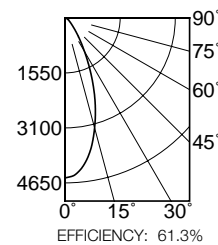
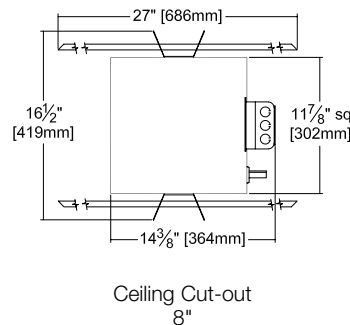
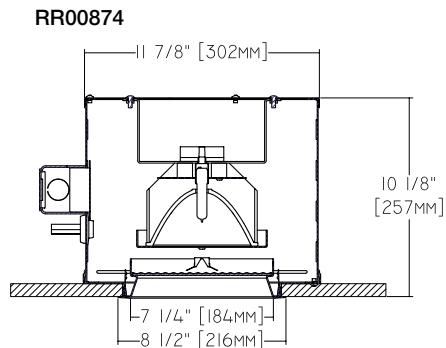
- Per current NEC.

Recessed Round  
Lensed  
Exam

#### Selected Optional Trims:

- Tinted Lens Option -10
- Clear Lens Option -28
- Black OptiGroove Option -44
- Fresnel Lens Option -FR

### Performance at a Glance



#### Cone of Light\*

Dist.	FC	Dia.
6	125.3	3.9
8	70.5	5.2
10	45.1	6.5
12	31.3	7.8
14	23.0	9.1
16	17.6	10.5

SC 0.7

#### Cone of Light Key

- Ft. Distance from fixture
- FC Footcandles at nadir (0°)
- Dia. Circle of light at 50% of FC

\* Dia. (in ft.) shown is where FC value is half the FC at nadir.

## THE KIRLIN COMPANY

3401 EAST JEFFERSON AVENUE • DETROIT, MICHIGAN 48207-4232  
(313) 259-6400 • Fax: (313) 259-9409 OR (313) 259-3121 • www.kirlinlighting.com

HEALTHCARE FACILITY  
& PATIENT LIGHTING

MAXIMUM WATTAGE

1 250 T4Q

CATALOG NUMBER

RR00874

DUE TO OUR CONTINUING EFFORT TO IMPROVE PRODUCTS, TECHNICAL INFORMATION IS SUBJECT TO CHANGE WITHOUT NOTICE.

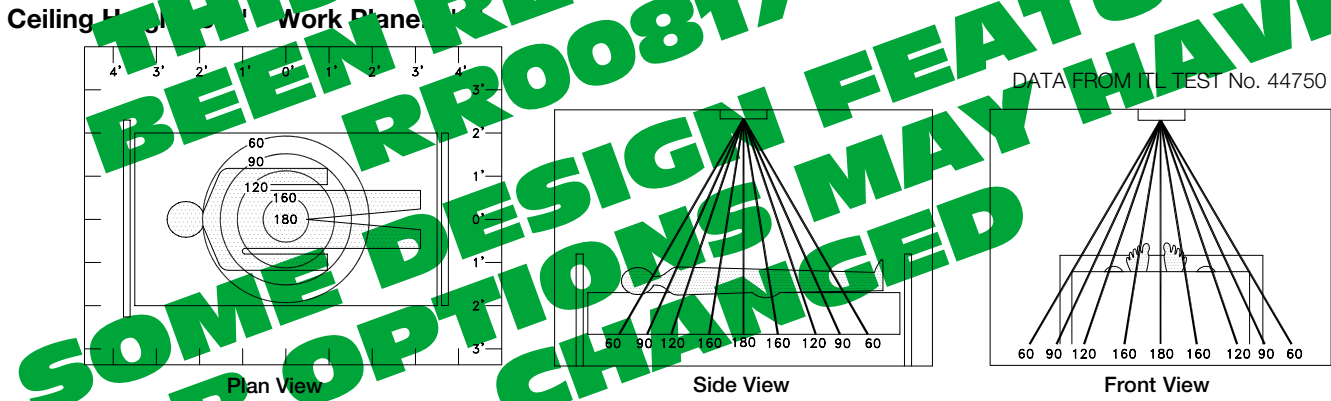
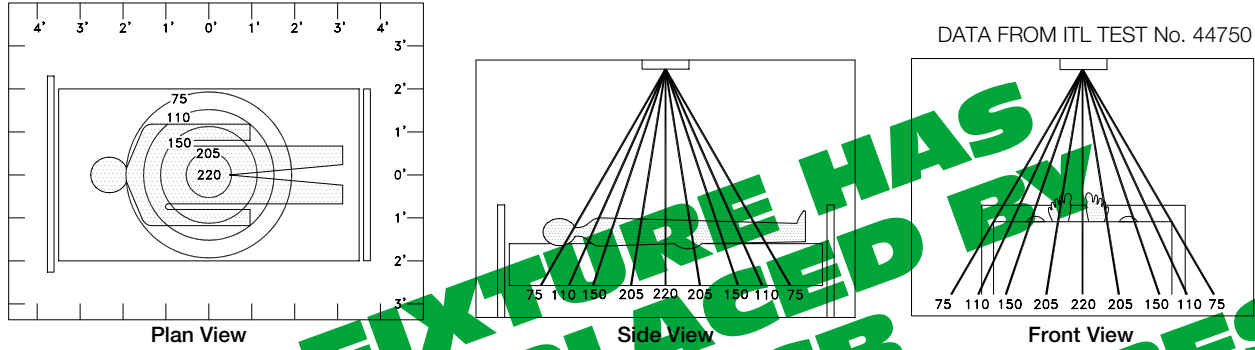
Alzak® is a registered trademark of ALCOA.

**Footcandle Distribution Data**

Photometry from I.T.L., Boulder, CO

- Notes:
1. All lighting levels are expressed in average footcandles, with distances expressed in feet, as measured at the work plane (3'6").
  2. The work plane (3'6") is defined as: examination bed height, plus patient body depth.
  3. Fixture is centered over examination bed with its longest axis parallel to the length of the bed.

**Ceiling Height: 8' • Work Plane: 3'6"**



**Options**

- 10 Light blue tinted tempered glass lens instead; CRI: 91, CCT: 3800°, lumen output reduced by 25%.
- 32 Trim extender. Broadens trim flange by 1" to cover larger ceiling opening.
- 44 Black OptiGroove regressed trim assembly instead. White flange. Also see Option -94.
- 45 Gasket between trim flange and ceiling. (Minimizes dust streaks on ceiling.)
- 46 Gasket between lens and trim. (Minimizes contaminant and dust entry.)
- 58 277/120 volt stepdown transformer for 277 volt line input, prewired into fixture; with 277 volt thermal protector.
- 94 Custom color self-flanged smooth flare trim. Consult factory.
- 97 For other input supply voltages, consult factory.
- 99 Special modification. Consult factory.
- FR Fresnel lens instead. Concentrates light.
- LP With tungsten halogen lamp. 250 watt frosted T4Q DCB base. 2000 hour life rating.
- TA Top access. Consult factory.
- TC Teflon coated safety lens; retains glass particles in event of lens breakage. Consult factory.

**SUBMITTAL DATA**

**APPROVAL STAMP**

JOB NAME \_\_\_\_\_  
 TYPE \_\_\_\_\_  
 WATTAGE \_\_\_\_\_ VOLTAGE \_\_\_\_\_  
 CATALOG NUMBER \_\_\_\_\_

THIS FIXTURE HAS BEEN REPLACED BY RR00817-CB SOME DESIGN FEATURES OR OPTIONS MAY HAVE CHANGED

LIMITED WARRANTY: CATALOGUED KIRLIN FIXTURES ARE WARRANTED FREE OF DEFECTS IN WORKMANSHIP OR MATERIAL FOR THREE YEARS FROM DATE OF PURCHASE. INSTALLATION IN NORMAL USE. Manufacturer at this option will replace or repair such Kirlin or refund the purchase price on presentation of proof of purchase and defective fixture at the offices of manufacturer within three years of original shipment. Liability of manufacturer is limited to the foregoing, and manufacturer shall not be liable for any other damages, direct or indirect, sustained or suffered by purchaser or any person. This warranty is supplied to the purchaser and other warranties, expressed or implied. Seller does not warrant as to merchantability or fitness for a particular use, nor will any oral statement constitute a warranty or amend this specific warranty. Abnormal use, abuse of the fixture, improper installation, or repair, or modification of the fixture without prior written authorization from the manufacturer will void the warranty. 10/06