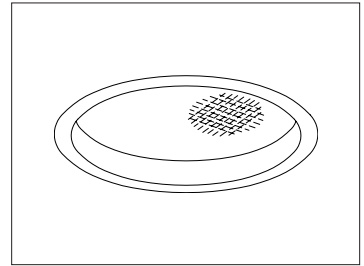


CATALOG #	TYPE	
JOB NAME	WATTAGE	VOLTAGE

8" 1 A21 150 WATT MAXIMUM

RR00850

## U.L. Wet Shower Light Smooth Flare with Lens



### Features

#### Lamp/Socket

- Designed for horizontal incandescent lamp: 150 watt (max.) frosted A-21 (by others).
- Dimmable (controls by others).
- Glazed porcelain medium base socket. Nickel plated brass screw shell. Silicone leads.

#### Reflector

- Specular Alzak® aluminum.

#### Trim Assembly

- Smooth seamless tapered white aluminum flare. Self-flanged trim.
- Regressed tempered prismatic low brightness, spread distribution C#73 lens.
- Torsion springs retain snug fit to ceiling.
- Optional lenses and flat trim available, see Options.

#### Housing

- Cool. Acrylic enameled 100% aluminum.
- Rustproof: Exceeds 1000 hour ASTM 5% salt spray test.
- Dissipates heat across entire surface area.

- Entire luminaire visible and serviceable from below through removable trim assembly.
- Built-in plaster frame. Also see Option -79.

#### Outlet Box

- Prewired 14 GA (NEC) galvanized steel, UL listed; with removable insulated cover.
- 1/2" and 3/4" knockouts.

#### Installation

- 27" hanger bars supplied (2).
- Fully adjustable universal mounting brackets supplied (2).
- Lightweight. Recesses in any ceiling type.

#### UL, C-UL (Canada) Listings

- Wet, damp or dry locations, covered ceilings.
- Through-branch circuit conductors (up to 6 #12). Supply wire rating: 90°C.

#### Three Year Limited Warranty

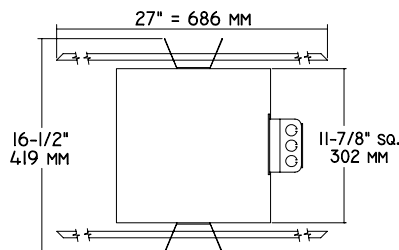
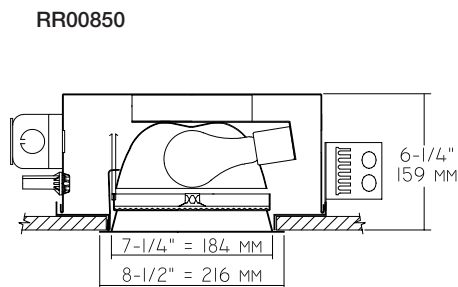
- Complete standard fixture.

#### Thermal Protection (Per Current NEC)

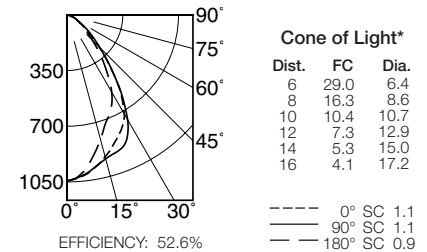
- Thermal protector included which provides automatic cut-off if rated temperature is exceeded. (Insulation related)

Recessed Round  
Regressed Lensed  
Shower

### Performance at a Glance



Ceiling Cut-out  
8"



#### Cone of Light Key

- Ft. Distance from fixture
- FC Footcandles at nadir (0°)
- Dia. Circle of light at 50% of FC

\* Dia. (in ft.) shown is where FC value is half the FC at nadir.

## THE KIRLIN COMPANY

3401 EAST JEFFERSON AVENUE • DETROIT, MICHIGAN 48207-4232  
(313) 259-6400 • Fax: (313) 259-9409 OR (313) 259-3121 • www.kirlinlighting.com

HEALTHCARE FACILITY  
& PATIENT LIGHTING

MAXIMUM WATTAGE

1 A21 150

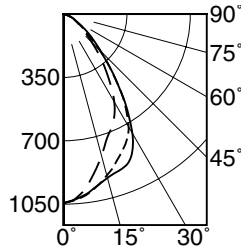
CATALOG NUMBER

RR00850

Detailed Photometry - Installed Fixture

Photometry from I.T.L., Boulder, CO

RR00850 (150 Watt)



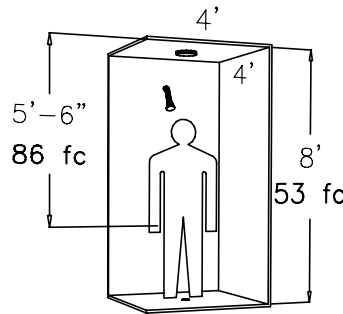
--- 0° SC 1.1  
— 90° SC 1.1  
— 180° SC 0.9

EFFICIENCY : 52.6%

CANDLEPOWER DISTRIBUTION					
	0.0	45.0	90.0	135.0	180.0
0	1044	1044	1044	1044	1044
5	1021	1031	1017	1012	1004
15	923	966	937	861	810
25	801	921	877	754	652
35	581	599	588	488	434
45	282	297	291	252	222
55	122	142	138	127	109
65	53	60	59	61	62
75	13	18	21	20	19
85	2	6	6	6	6
90	0	0	0	0	0

COEFFICIENTS OF UTILIZATION							
RF	20						
	80			50			
RC	70	50	30	10	50	30	10
1	59	57	55	54	54	53	51
2	55	52	49	47	49	47	45
3	51	47	44	41	45	42	40
4	48	43	39	37	41	38	36
5	45	39	36	33	38	35	32
6	42	36	32	30	35	32	29
7	39	34	30	27	32	29	27
8	37	31	27	25	30	27	25
9	35	29	25	23	28	25	23
10	33	27	23	21	26	23	21

ITL TEST #46994



Average footcandles for 4'x4' shower stall, luminaire mounted 5'6" or 8' from site, 80% reflectivity.

Options

- 18 Anopal flat glass. Not enameled. Diffusing.
- 32 Trim extender. Broadens trim flange O.D. by 1".
- 44 Black OptiGroove regressed trim assembly instead; white self-flanged. With C#73 lens or add optional lens. Also see Option -94.
- 45 Gasket between trim and ceiling.
- 46 Gasket between lens and trim.
- 58 277/120V stepdown transformer for 277 volt line input, prewired into fixture.
- 79 Extension collar for up to 2" thick ceilings.
- 94 Custom color trim assembly. Consult factory.
- 99 Special modification. Consult factory.
- FR Fresnel lens instead. Concentrates light.
- FT Flat white trim instead. Standard with prismatic flat C#73 glass or add Option -18 or -FR.
- TC Teflon safety coating for specified lens.

SUBMITTAL DATA

APPROVAL STAMP

JOB NAME  
TYPE  
WATTAGE                                  VOLTAGE  
CATALOG NUMBER

LIMITED WARRANTY: CATALOGED KIRLIN FIXTURES ARE WARRANTED FREE OF DEFECTS IN WORKMANSHIP OR MATERIAL FOR THREE YEARS FROM DATE OF PURCHASE. INSTALLLED TO N.E.C. IN NORMAL USE. Manufacturer at this option will repair or replace each fixture or refund the purchase price on presentation of proof of purchase and defective fixture at the offices of manufacturer within three years of original shipment. Liability of manufacturer is limited to the foregoing, and manufacturer shall not be liable for any other damages, direct or indirect, sustained or suffered by purchaser or any person. This warranty is supplied in the hope in place of all other warranties, expressed or implied. Seller does not warrant as to merchantability or fitness for a particular use, nor will any oral statement constitute a warranty or amend this specific warranty. Abnormal use, abuse of the fixture, improper installation, or repair, or modification of the fixture without prior written authorization from the manufacturer will render the warranty void.