

CATALOG #	TYPE	
JOB NAME	WATTAGE	VOLTAGE

8" 1 T4Q 250 WATT MAXIMUM

RR00817

Premier Exam Light

High Lumen Output: 61% Efficiency

Features

Lamp Assembly

- Designed for:
 - 1 vertical 250 watt (max.) T4Q frosted tungsten halogen lamp (by others).
- 3000°K color temperature and 100 CRI for accurate tissue rendering and patient evaluation. Rated 2000 hour life.
- Double contact bayonet base (DCB) socket is mounted to precision machined aluminum heat sink to reduce lamp and socket heat, providing maximum lamp and component life.
- Additional heavy gauge die-formed aluminum heat sink bracket conducts heat efficiently away from lamp and socket area.
- Dimmable (controls by others).

Reflector

- Parabolic specular Alzak® reflector focuses light precisely, providing maximum usable lumens to the exam site.
- Option -CB: High efficiency cold mirrored parabolic glass reflector design instead; removes 70% of heat from beam.

Trim Assembly

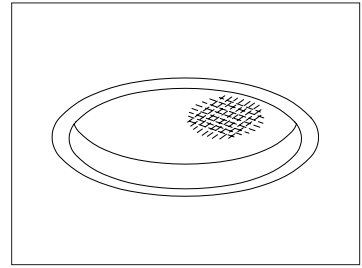
- Self-flanged hydroformed seamless tapered aluminum flare trim with white finish.
- Smooth surface prevents contaminant or dust build-up. Easily cleaned.
- Regressed safety tempered prismatic C#73 flat glass lens standard.
- Optional Fresnel, Teflon coated, and tempered clear lenses available.
- Torsion springs retain snug fit to ceiling.

Housing

- Cool, acrylic enameled aluminum.
- Dissipates heat across entire surface area. Ventilated for convection cooling.
- Rustproof: Exceeds 1000 hour ASTM 5% salt spray test.
- Entire luminaire serviced through removable trim assembly.
- 2" mounting collar permits thicker ceiling installations. Built-in plaster frame.

Outlet Box

- Prewired 14 GA (NEC) galvanized steel, UL listed; with removable insulated cover.
- 1/2" and 3/4" knockouts.



Recessed Round
Lensed Exam

Installation

- 27" galvanized hanger bars with adjustable mounting brackets supplied.
- Lightweight. Recesses in any ceiling type.

UL, C-UL (Canada) Listings

- Wet, damp or dry locations, covered ceilings.
- Through-branch circuit conductors (6 #12). Supply wire rating: 90°C.

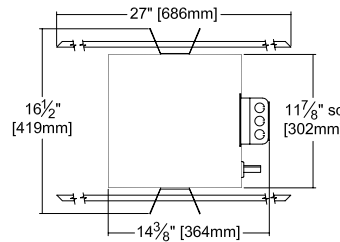
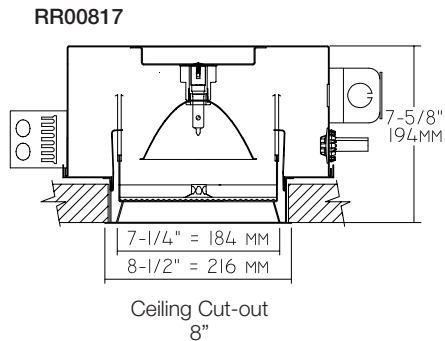
Three Year Limited Warranty

- Complete standard fixture.

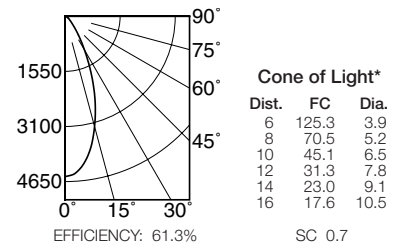
Thermal Protection

- Per current NEC.

Performance at a Glance



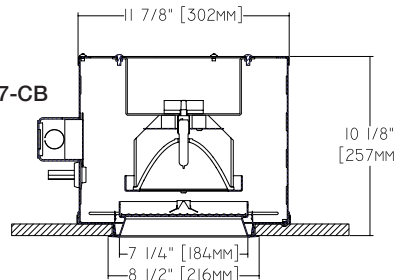
KIRLIN RECOMMENDS
FROSTED T4 HALOGEN LAMPS
BY USHIO, GE OR SYLVANIA ONLY



CAUTION: SINGLE ENDED T4 HALOGEN LAMPS MUST BE STARTED AT OR NEAR FULL VOLTAGE (120V) BEFORE DIMMING TO ENSURE MAXIMUM LIFE AND PERFORMANCE.

RR00817-CB

(with Cool Beam Option)



* Dia. (in ft.) shown is where FC value is half the FC at nadir.

Cone of Light Key

Ft. Distance from fixture
FC Footcandles at nadir (0°)
Dia. Circle of light at 50% of FC

THE KIRLIN COMPANY

3401 EAST JEFFERSON AVENUE • DETROIT, MICHIGAN 48207-4232
(313) 259-6400 • Fax: (313) 259-9409 OR (313) 259-3121 • www.kirlinlighting.com

HEALTHCARE FACILITY
& PATIENT LIGHTING

MAXIMUM WATTAGE

1 T4Q 250

CATALOG NUMBER

RR00817

DUE TO OUR CONTINUING EFFORT TO IMPROVE PRODUCTS, TECHNICAL INFORMATION IS SUBJECT TO CHANGE WITHOUT NOTICE.

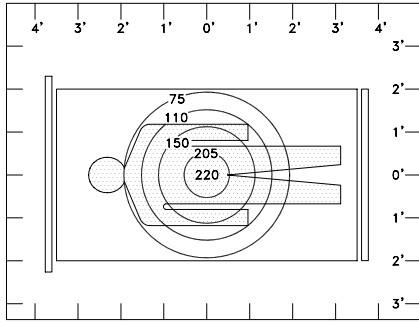
Alzak® is a registered trademark of ALCOA.

Footcandle Distribution Data

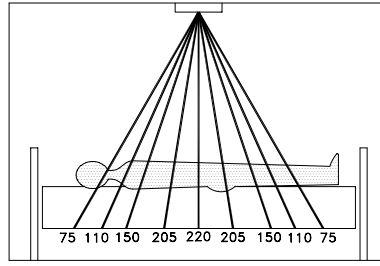
Photometry from I.T.L., Boulder, CO

- Notes:
1. All lighting levels are expressed in average footcandles, with distances expressed in feet, as measured at the work plane (3'6").
 2. The work plane (3'6") is defined as: examination bed height, plus patient body depth.
 3. Fixture is centered over examination bed with its longest axis parallel to the length of the bed.

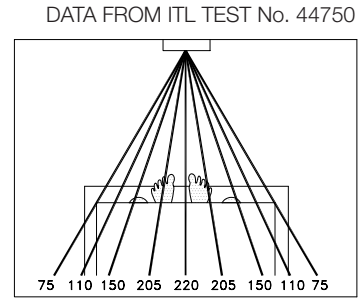
Ceiling Height: 8' • Work Plane: 3'6"



Plan View

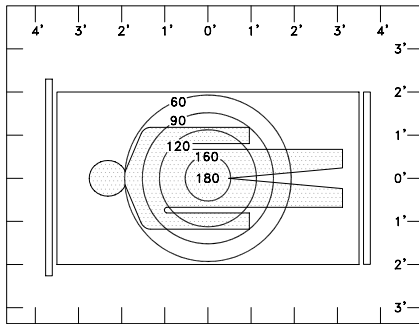


Side View

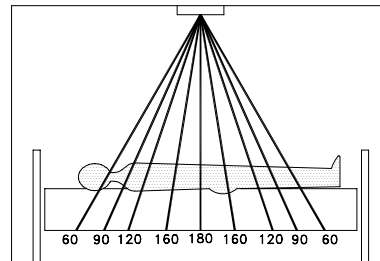


Front View

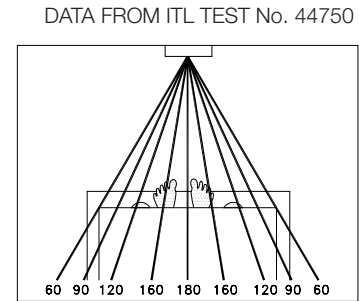
Ceiling Height: 8'6" • Work Plane: 3'6"



Plan View



Side View



Front View

Options

- 28 Clear tempered glass lens instead.
- 32 Trim extender. Broadens trim flange by 1" to cover larger ceiling opening.
- 44 Black OptiGroove regressed trim assembly instead. White flange. Also see Option -94.
- 45 Gasket between trim flange and ceiling. (Minimizes dust streaks on ceiling.)
- 46 Gasket between lens and trim. Minimizes contaminant and dust entry.
- 58 277/120 volt stepdown transformer for 277 volt line input, prewired into fixture; with 277 volt thermal protector.
- 94 Custom color self-flanged smooth flare trim. Consult factory.
- 97 For other input supply voltages, consult factory.
- 99 Special modification. Consult factory.
- CB Cool Beam design; utilizes cold mirrored glass reflector to remove 70% of infrared heat. NOTE: Recessed depth increases to 10.125"; restricted to end of run use; no thru branch wires.
- FR Fresnel lens instead. Concentrates light.
- LP With tungsten halogen lamp. 250 watt frosted T4Q DCB base. 2000 hour life rating.
- TA Top access. Consult factory.
- TC Teflon coated safety lens; retains glass particles in event of breakage. Consult factory.

SUBMITTAL DATA

APPROVAL STAMP

JOB NAME _____
 TYPE _____
 WATTAGE _____ VOLTAGE _____
 CATALOG NUMBER _____

LIMITED WARRANTY: CATALOGED KIRLIN FIXTURES ARE WARRANTED FREE OF DEFECTS IN WORKMANSHIP OR MATERIAL FOR THREE YEARS FROM DATE OF PURCHASE. INSTALLER TO N.E.C. IN NORMAL USE. Manufacturer at the option will replace or repair each fixture or refund the purchase price on presentation of proof of purchase and defective fixture at the office of manufacturer within three years of original shipment. Liability of manufacturer is limited to the foregoing, and manufacturer shall not be liable for any other damages, direct or indirect, sustained or suffered by purchaser or any person. This warranty is supplied in place of all other warranties, expressed or implied. Seller does not warrant as to merchantability or fitness for a particular use, nor will any oral statement constitute a warranty or amend this specific warranty. Abnormal use, abuse of the fixture, improper installation, or repair, or modification of the fixture without prior written authorization from the manufacturer will render the warranty void.