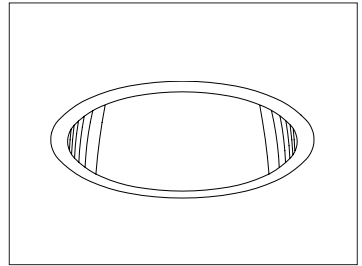


CATALOG #	TYPE	
JOB NAME	WATTAGE	VOLTAGE

7" 1 T4Q 250 WATT MAXIMUM

RR00716

Direct Illumination of Patient: Attractive Design



Features

Lamp

- Designed for:
 - 1 vertical 250 watt (max.) frosted tungsten halogen T4Q.
- Double contact bayonet (DCB) base.
- Rated 2000 hour life; 100 CRI.
- 3000°K color temperature and 100 CRI for accurate tissue rendering and patient evaluation.
- Dimmable (controls by others).

Lampholder

- Double contact bayonet. Heat resistant.
- Lamp socket bracket designed as heat sink.

Reflectors

- Upper: Specular Alzak® aluminum for precise control of source.
- Lower: Low brightness clear SofTex clear softly etched Alzak aluminum cone, self-flanged. Resists fingerprints, smudges, dust.
- Optional self-flanged cone colors and finishes available. See Options.
- Convection and radiation cooling by design.

Lens

- Tempered MicroLux microprismatic.
- Mounted to upper reflector.

Housing

- Cool, acrylic enameled aluminum.
- Dissipates heat across entire surface area. Ventilated for convection cooling.
- Rustproof: Exceeds 1000 hour ASTM 5% salt spray test.
- Entire luminaire visible and serviceable from below through removable lower cone.
- Top access optional. See Option -TA.
- Built-in plaster frame. Also see Option -79.

Outlet Box

- Prewired 14 GA (NEC) galvanized steel, UL listed; with removable insulated cover.
- 1/2" and 3/4" knockouts.

Installation

- 27" galvanized hanger bars with adjustable mounting brackets supplied.
- Lightweight. Recesses in any ceiling type.

UL, C-UL (Canada) Listings

- Wet, damp or dry locations, covered ceilings.
- Through-branch circuit conductors (6 #12). Supply wire rating: 90°C.

Three Year Limited Warranty

- Complete standard fixture.

Thermal Protection

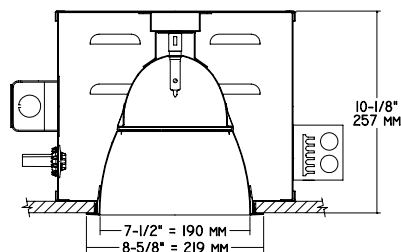
- Per current NEC.

Recessed Round
Lensed
Dual Reflector
Downlight

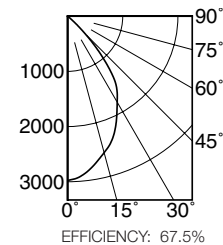
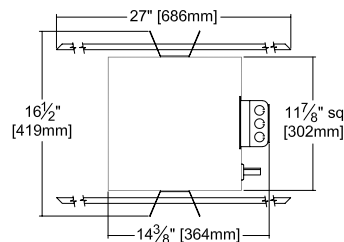
Performance at a Glance

KIRLIN RECOMMENDS T4 HALOGEN LAMPS BY USHIO, GE OR SYLVANIA ONLY

RR00716



Ceiling Cut-out
8"



Cone of Light*

Dist.	FC	Dia.
6	82.7	5.8
8	46.5	7.8
10	29.8	9.7
12	20.7	11.6
14	15.2	13.6
16	11.6	15.5

SC 1.0

Cone of Light Key

- Ft. Distance from fixture
- FC Footcandles at nadir (0°)
- Dia. Circle of light at 50% of FC

* Dia. (in ft.) shown is where FC value is half the FC at nadir.

THE KIRLIN COMPANY

3401 EAST JEFFERSON AVENUE • DETROIT, MICHIGAN 48207-4232
(313) 259-6400 • Fax: (313) 259-9409 OR (313) 259-3121 • www.kirlinlighting.com

HEALTHCARE FACILITY
& PATIENT LIGHTING

MAXIMUM WATTAGE

1 T4Q 250

CATALOG NUMBER

RR00716

DUE TO OUR CONTINUING EFFORT TO IMPROVE PRODUCTS, TECHNICAL INFORMATION IS SUBJECT TO CHANGE WITHOUT NOTICE.

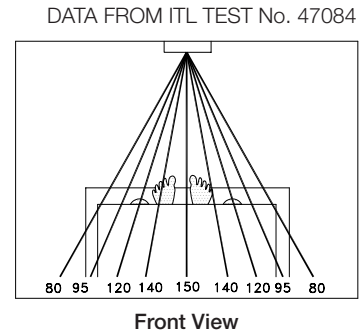
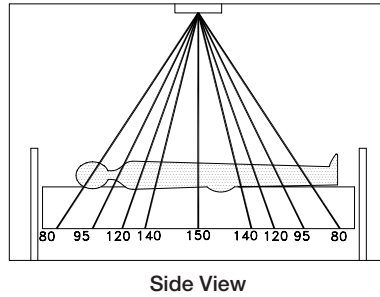
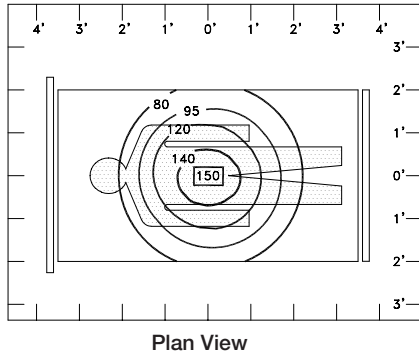
Alzak® is a registered trademark of ALCOA.

Footcandle Distribution Data

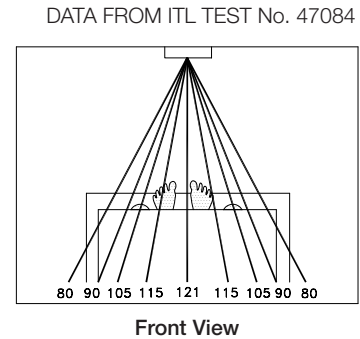
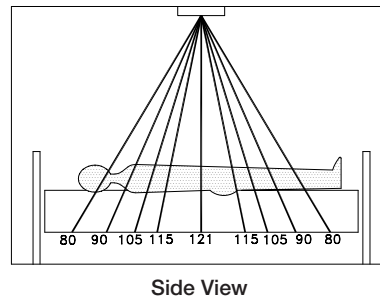
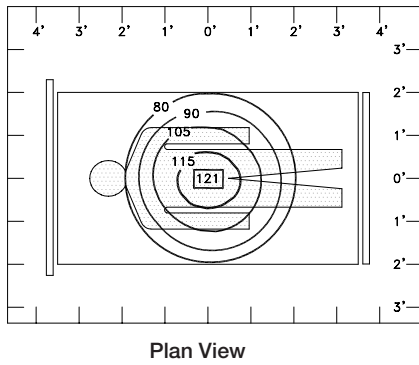
Photometry from I.T.L., Boulder, CO

- Notes:
1. All lighting levels are expressed in average footcandles, with distances expressed in feet, as measured at the work plane (3'6").
 2. The work plane (3'6") is defined as: examination bed height, plus patient body depth.
 3. Fixture is centered over examination bed with its longest axis parallel to the length of the bed.

Ceiling Height: 8' • Work Plane: 3'6"



Ceiling Height: 8'6" • Work Plane: 3'6"



Options

- 30 All white self-flanged lower cone.
- 31 White flange (only) on self-flanged lower cone.
- 32 Trim extender. Broadens trim flange by 1" to cover larger ceiling opening.
- 45 Gasket above reflector flange. (Minimizes dust streaks on ceiling.)
- 58 277/120 volt stepdown transformer for 277 volt line input, prewired into each fixture; with 277 volt thermal protector.
- 62 Clear specular Alzak® self-flanged lower cone.
- 79 Extension collar for up to 2" thick ceiling.
- 94 SofTex or specular custom color self-flanged lower cone. Consult factory.
- 97 For other input supply voltages, consult factory.
- 99 Special modification. Consult factory.
- LP With DCB 250 watt T4Q frosted lamp.
- TA Top access. For servicing from above ceiling.
- TC Teflon coated safety lens; retains glass particles in event of breakage. Consult factory.

SUBMITTAL DATA

APPROVAL STAMP

JOB NAME _____
 TYPE _____
 WATTAGE _____ VOLTAGE _____
 CATALOG NUMBER _____

LIMITED WARRANTY: CATALOGED KIRLIN FIXTURES ARE WARRANTED FREE OF DEFECTS IN WORKMANSHIP OR MATERIAL FOR THREE YEARS FROM DATE OF PURCHASE. INSTALLED TO N.E.C. IN NORMAL USE. Manufacturer at the option will replace or repair each fixture or refund the purchase price on presentation of proof of purchase and defective fixture at the office of manufacturer within three years of original shipment. Liability of manufacturer is limited to the foregoing, and manufacturer shall not be liable for any other damages, direct or indirect, sustained or suffered by purchaser or any person. This warranty is supplied in place of all other warranties, expressed or implied. Seller does not warrant as to merchantability or fitness for a particular use, nor will any oral statement constitute a warranty or amend this specific warranty. Abnormal use, abuse of the fixture, improper installation, or repair, or modification of the fixture without prior written authorization from the manufacturer will render the warranty void.