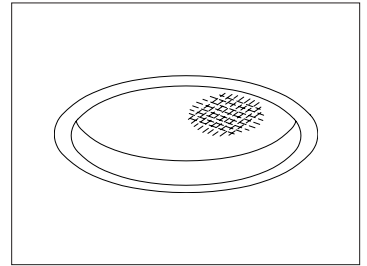


CATALOG #	TYPE	
JOB NAME	WATTAGE	VOLTAGE

6" 1 Triple 32 WATT MAXIMUM

RR00653

High Illuminance U.L. Wet Type IC Shower Light



Features

Lamp

- Designed for one 4-pin triple tube amalgam or quad compact fluorescent lamp: 32/26W triple or 26W quad.

Ballast: Multi-Wattage/Voltage

- Installed electronic high power factor, thermally protected. For lower wattages see Option -43. For dimming see Option -39.
- 120-277 multi-volt; 50-60 Hz. THD <10%.
- ClickQuick connectors for fast servicing.
- Cold weather -22°F (-30°C).
- End of lamp life protection circuit. RFI filter.
- Internally fused. Also see Option -FS.

Reflector

- Clear specular Alzak® aluminum.

Trim Assembly

- Smooth seamless tapered white aluminum flare. Self-flanged trim.
- Regressed tempered prismatic low brightness, spread distribution C#73 lens.
- Torsion springs retain snug fit to ceiling.
- Optional lenses and flat trim available.

Aluminum Housing

- Acrylic enameled. Rustproof: Exceeds 1000 hour ASTM 5% salt spray test.
- Lightweight: Minimizes ceiling load.
- Cool operation: Extends component life.
- Entire luminaire serviced through trim.
- Built-in plaster frame.

Outlet Box

- UL listed, prewired 14 GA (NEC) galvanized steel with removable insulated cover.
- 1/2" and 3/4" knockouts.

Installation

- 27" galvanized hanger bars with adjustable mounting brackets (2) supplied.
- Recesses in any ceiling type.

UL, C-UL (Canada) Listings

- Wet, damp or dry locations, covered ceilings.
- Type IC. Approved for direct contact with insulation.
- Through-branch circuit conductors (up to 6 #12). Supply wire rating: 90°C.

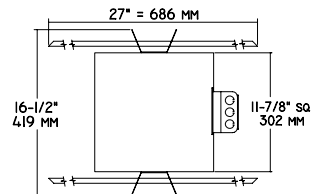
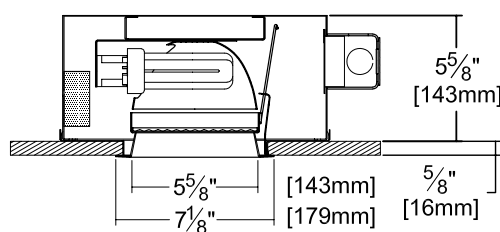
Three Year Limited Warranty

- Complete standard fixture and ballast.

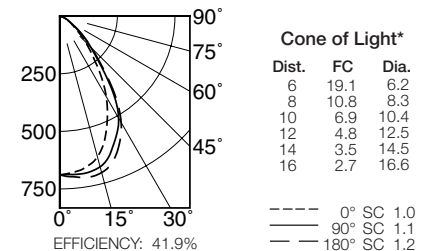
Recessed Round
Regressed Lensed
Type IC Shower

Performance at a Glance

RR00653



Ceiling Cut-out
6 1/2"



Cone of Light Key

- Ft. Distance from fixture
- FC Footcandles at nadir (0°)
- Dia. Circle of light at 50% of FC

* Dia. (in ft.) shown is where FC value is half the FC at nadir.

THE KIRLIN COMPANY

3401 EAST JEFFERSON AVENUE • DETROIT, MICHIGAN 48207-4232
(313) 259-6400 • Fax: (313) 259-9409 OR (313) 259-3121 • www.kirlinlighting.com

HEALTHCARE FACILITY
& PATIENT LIGHTING

MAXIMUM WATTAGE

1 Triple 32

CATALOG NUMBER

RR00653

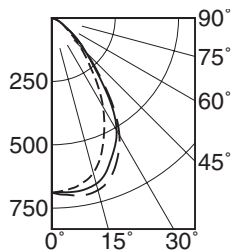
DUE TO OUR CONTINUING EFFORT TO IMPROVE PRODUCTS, TECHNICAL INFORMATION IS SUBJECT TO CHANGE WITHOUT NOTICE.

Alzak® is a registered trademark of ALCOA.

Detailed Photometry - Installed Fixture

Photometry from I.T.L., Boulder, CO

RR00653 (1 Triple 32)



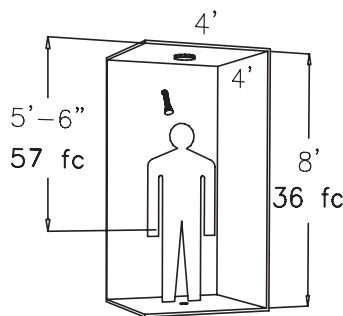
--- 0° SC 1.0
 — 90° SC 1.1
 - - 180° SC 1.2

EFFICIENCY : 41.9%

CANDLEPOWER DISTRIBUTION					
	0.0	45.0	90.0	135.0	180.0
0	689	689	689	689	689
5	680	681	690	697	700
15	632	644	677	693	703
25	489	530	578	596	612
35	308	347	402	403	419
45	156	168	190	189	196
55	68	81	84	82	79
65	32	35	35	34	33
75	6	7	7	7	8
85	0	0	0	0	0
90	0	0	0	0	0

COEFFICIENTS OF UTILIZATION							
RF	20						
	80			50			
RC	70	50	30	10	50	30	10
RW							
1	47	46	44	43	43	42	41
2	44	42	40	38	39	38	37
3	41	38	35	33	36	34	33
4	39	35	32	30	33	31	29
5	36	32	29	27	31	28	26
6	34	29	26	24	28	26	24
7	32	27	24	22	26	24	22
8	30	25	22	20	25	22	20
9	28	24	21	19	23	20	19
10	27	22	19	17	21	19	17

ITL TEST #45417



Average footcandles for 4'x4' shower stall, luminaire mounted 5'6" or 8' from site, 80% reflectivity.

Options

Ballast, Wattage and Voltage

- 39 Installed electronic dimming ballast. Not Type IC listed. Indoor use. 10°C (50°F) minimum start. Specify wattage, voltage and brand.
- 43 Lower wattage: for 4-pin 18W triple or 18-13W quad. Specify wattage.
- 97 Specify other voltage. Consult factory.
- 98 347 volt, 50/60 Hz. input. Consult factory.

Emergency Ballast - Specify Voltage¹

- Internal (factory installed) ballast, test switch and indicator light. Suitable for damp locations from 0° to 50°C (32° to 122°F) or with Cold Weather version (see -CE) -20° to 55°C (-4° to 131°F).
- 73 Internal EM ballast. Specify voltage.
 - CE Internal cold weather (-20° to 55°C) EM ballast. Specify voltage.

- HE¹ Internal higher lumen (up to 1250) EM ballast. Specify voltage.

Lenses and Trims

- 12 Clear 1/4" polycarbonate beneath prismatic acrylic overlay.
- 13 Clear 1/8" flat polycarbonate beneath prismatic flat C#73 lens.
- 17 3/16" prismatic high strength acrylic instead.
- 18 Anopal flat glass. Not enameled. Diffusing.
- 21 White translucent flat poly instead.
- 32 Trim extender. Broadens trim flange O.D. by 1".
- 44 Black OptiGroove regressed trim assembly instead; white self-flanged. With C#73 lens or add optional lens. Also see Option -94.
- 45 Gasket between trim and ceiling.
- 46 Gasket between lens and trim.
- 76 Drop white polycarbonate diffuser instead.

- 79 Extension collar for up to 2" thick ceilings.
- 94 Custom color trim assembly. Consult factory.
- FR Fresnel lens instead. Concentrates light.
- FT Flat white trim instead. Standard with prismatic flat C#73 glass or add Option -13, -17, -18, -21 or -FR.
- TC Teflon safety coating for specified lens.

Other

- 99 Special modification. Consult factory.
- FS Additional in-line fuse. Not available with Option -98(347V).
- LE With 4-pin electronic lamp. 3500°K standard. 82 CRI and 12,000 hour life. Specify wattage, style and color temperature.

¹ Visit www.kirlinlighting.com for most current performance / specifications.

SUBMITTAL DATA

APPROVAL STAMP

JOB NAME _____
 TYPE _____
 WATTAGE _____ VOLTAGE _____
 CATALOG NUMBER _____

² See GRR-06036 specification sheet or "Gazelle Express Program" brochure for complete details. Limited option availability.

LIMITED WARRANTY: CATALOGED KIRLIN FIXTURES ARE WARRANTED FREE OF DEFECTS IN WORKMANSHIP OR MATERIAL FOR THREE YEARS FROM DATE OF PURCHASE. INSTALLATION TO N.E.C. / IN NORMAL USE. Manufacturer at the option will replace or repair each fixture or refund the purchase price on presentation of proof of purchase and defective fixture at the office of manufacturer within three years of original shipment. Liability of manufacturer is limited to the foregoing, and manufacturer shall not be liable for any other damages, direct or indirect, sustained or suffered by purchaser or any person. This warranty is supplied in the box in place of all other warranties, expressed or implied. Seller does not warrant as to merchantability or fitness for a particular use, nor will any oral statement constitute a warranty or amend this specific warranty. Abnormal use, abuse of the fixture, improper installation, or repair, or modification of the fixture without prior written authorization from the manufacturer will render the warranty void.