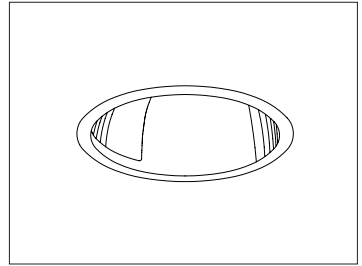


CATALOG #	TYPE	
JOB NAME	WATTAGE	VOLTAGE

4" 1 A19 100 WATT MAXIMUM

RR00438

MRI Non-Magnetic Wall Wash: 100 Watt A Lamp 4" Aperture



Features

Non-Magnetic Lamp/Socket

- Designed for: 100 watt (max.) frosted A-19 (by others). Vertical.
- Dimmable (controls by others).
- For operation on D.C. circuits.
- Glazed porcelain medium base socket. Nickel plated brass screw shell. Silicone leads.

Reflectors

- Inner: Self-flanged SofTex™ softly etched Alzak® aluminum reflector. Adjusts 360° for precise wall wash position.
- Optional self-flanged colors and finishes available. See Options.
- Outer: Etched and anodized 100% aluminum for uniform wall washing.

Housing

- Cool. Acrylic enameled 100% aluminum.
- Rustproof: Exceeds 1000 hour ASTM 5% salt spray test.
- Dissipates heat across entire surface area.

- Entire luminaire visible and serviceable from below through removable reflector.
- Built-in plaster frame. Also see Option -79.

Outlet Box

- Prewired. 100% aluminum. UL listed.
- Accessible. 1/2" and 3/4" knockouts.

Installation

- Lightweight. Recesses in any ceiling type.
- 27" aluminum hanger bars supplied (2).
- Fully adjustable universal non-magnetic mounting brackets supplied (2).

UL, C-UL (Canada) Listings

- Wet, damp or dry locations, covered ceilings.
- Through-branch circuit conductors (up to 6 #12). Supply wire rating: 90 °C.

Three Year Limited Warranty

- Complete standard fixture.

Thermal Protection (Per Current NEC)

- Thermal protector included which provides automatic cut-off if rated temperature is exceeded. (Insulation related)

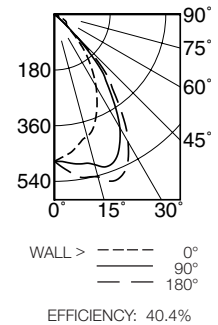
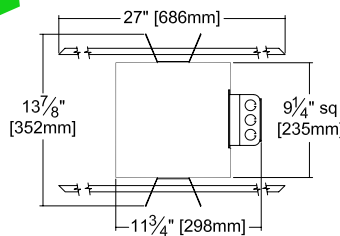
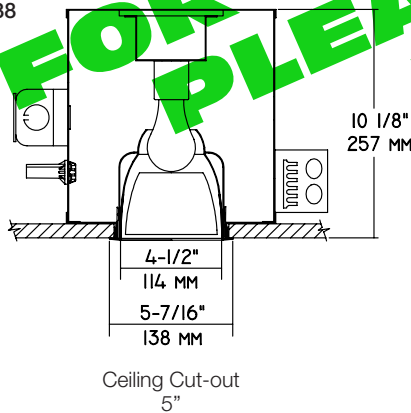
Recessed Round
Open
Wall Wash
MRI

THIS FIXTURE IS NO LONGER AVAILABLE FOR AN ALTERNATIVE PLEASE CONSULT FACTORY

NOT RESTRICTED TO END-OF-RUN USE

Performance at a Glance

RR00438



THE KIRLIN COMPANY

3401 EAST JEFFERSON AVENUE • DETROIT, MICHIGAN 48207-4232
(313) 259-6400 • Fax: (313) 259-9409 OR (313) 259-3121 • www.kirlinlighting.com

HEALTHCARE FACILITY
& PATIENT LIGHTING

MAXIMUM WATTAGE

1 A19 100

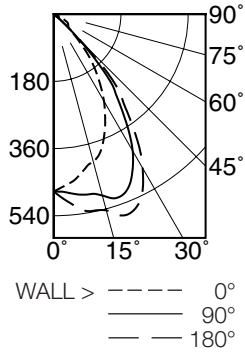
CATALOG NUMBER

RR00438

Detailed Photometry - Installed Fixture

Photometry from I.T.L., Boulder, CO

RR00438 (100 Watt)



EFFICIENCY : 40.4%

CANDLEPOWER DISTRIBUTION					
	0.0	45.0	90.0	135.0	180.0
0	475	475	475	475	475
5	456	463	481	500	508
15	409	440	503	540	544
25	326	377	490	536	549
35	207	249	324	359	371
45	75	74	98	99	111
55	47	35	9	5	5
65	25	22	14	19	23
75	7	7	4	6	7
85	0	0	0	0	0
90	0	0	0	0	0

COEFFICIENTS OF UTILIZATION							
RF	20						
	80				50		
	RW	70	50	30	10	50	30
1	45	44	43	42	42	41	40
2	43	41	39	37	39	37	36
3	40	37	35	33	36	34	32
4	38	34	32	30	33	31	29
5	36	32	29	27	31	28	27
6	33	29	27	24	28	26	24
7	32	27	25	23	26	24	22
8	30	25	23	21	25	22	21
9	28	24	21	19	23	21	19
10	27	22	20	18	22	19	18

ITL TEST #47263

DISTANCE FROM WALL	CANDLE DISTRIBUTION ON WALL SURFACE											
	1	2	3	4	5	6	7	8	9	10	11	12
1.5	1.5	1.5	1.0	0.7	0.6	4.1	3.9	4.1	3.5	3.2	3.5	3.5
3.1	2.7	1.7	1.1	0.7	6.5	6.4	6.5	5.4	4.9	5.4	5.4	5.4
4.5	4.1	2.6	1.2	0.8	6.7	6.1	6.7	5.7	4.6	5.7	5.7	5.7
6.0	4.0	3.8	3.1	2.1	1.0	9.6	9.9	9.6	7.6	6.9	7.7	7.0
7.5	3.3	3.1	2.7	2.1	1.5	9.0	9.1	9.0	7.3	7.1	7.3	7.3
9.0	2.7	2.6	2.3	2.0	1.8	8.4	8.6	8.4	6.7	6.7	6.7	6.7
10.5	2.2	2.2	2.0	1.8	1.5	7.9	7.9	7.9	6.2	6.4	6.2	6.2
12.0	1.9	1.9	1.8	1.6	1.4	7.4	7.5	7.4	5.9	6.1	5.9	5.9

THIS FIXTURE IS NO LONGER AVAILABLE FOR AN ALTERNATIVE PLEASE CONSULT FACTORY

Options

- 31 White flange (only) on self-flanged reflector.
- 32 Trim extender. Broadens trim flange O.D. by 1" to cover larger ceiling opening.
- 45 Gasket above reflector flange. (Minimizes dust streaks on ceiling.)
- 62 Specular clear Alzak® reflectors instead.
- 94 Custom color / finish self-flanged inner reflector. Consult factory.
- 99 Special modification. Consult factory.

SUBMITTAL DATA

APPROVAL STAMP

JOB NAME

TYPE

WATTAGE

VOLTAGE

CATALOG NUMBER

LIMITED WARRANTY: CATALOGED KIRLIN FIXTURES ARE WARRANTED FREE OF DEFECTS IN WORKMANSHIP OR MATERIAL FOR THREE YEARS FROM DATE OF PURCHASE. INSTALL TO N.E.C. IN NORMAL USE. Manufacturer at the option will replace or repair such fixture or refund the purchase price on presentation of proof of purchase and defective fixture at the office of manufacturer within three years of original shipment. Liability of manufacturer is limited to the foregoing, and manufacturer shall not be liable for any other damages, direct or indirect, sustained or suffered by purchaser or any person. This warranty is supplied to the buyer in place of all other warranties, expressed or implied. Seller does not warrant as to merchantability or fitness for a particular use, nor will any oral statement constitute a warranty or amend this specific warranty. Abnormal use, abuse of the fixture, improper installation, or repair, or modification of the fixture without prior written authorization from the manufacturer will render the warranty void.