

Versatile Nightlights

Features

Lamps

- Designed for:
 - 2 horizontal Twin Tube 7 watt.
- 2 pin G23 base.

Ballast

- Thermally protected, encased and potted high power factor standard.
- 120 volt standard or see optional voltages.
- Single circuit wiring.

Reflector

- Full-sized reflective surface with polyester enamel finish. Provides 83% reflectivity.

Lens

- Clear .225" polycarbonate, behind cover standard for RN90983. Lets sound transmit through easily. Available in other colors.
- Available in .07" high strength acrylic or acrylic lens available in place of louvers.

Trim Assembly

- Attractively beveled and gasketed aluminum frame pulls tight to ceiling. Eliminates dust streaks.
- Die-formed and louvered aluminum door bolts tightly to frame with two flush mounted screws. Tamper resistant screws available. (See Options -34, -35, -37).
- Gasketing between door and frame eliminates air leaks.

- Optional hospital grade duplex GFCI or receptacle mounts flush to frame face.

Isolated wiring compartment provided.

- Optional hospital grade recessed on-off switch available. (See Options -34, -35)
- Optional lens with aluminum finish available. (See Options -34, -35)
- Polyester enamel in white is standard. Other colors available. (See Options.)

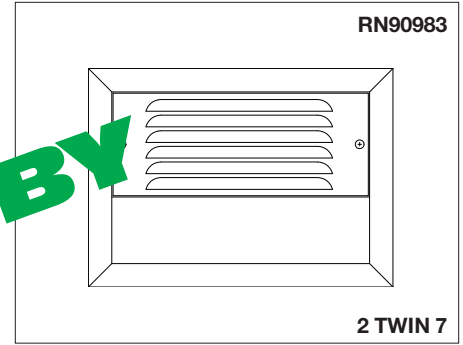
- Rust proof. Exceeds 1000 hour AS salt spray test.
- Serviceable through removable door and frame assembly.

Installation

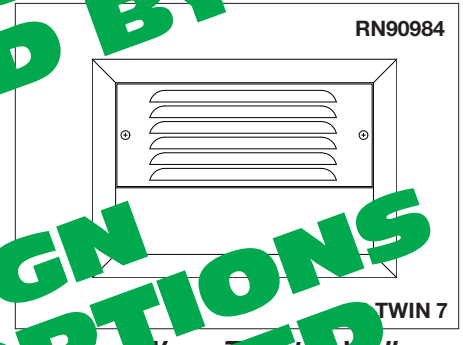
- Fits into floor. Complete factory finish for use.
- Eight 7/16" diameter holes for mounting.
- Mounting holes provided on top door and frame for direct mounting to ceiling with steel studs.

UL, CUL, and Listings

- UL, CUL, and Listings
- For damp or dry locations, cover with lens.
- Three Year Limited Warranty
- Complete standard fixture.



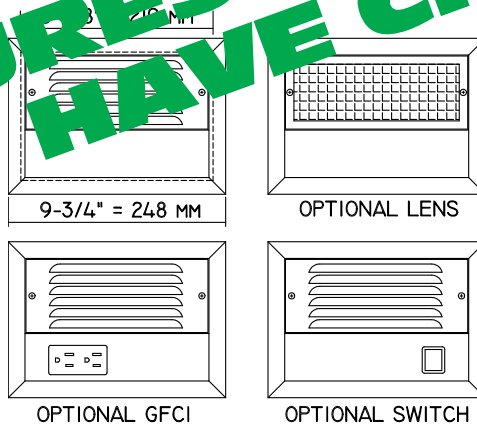
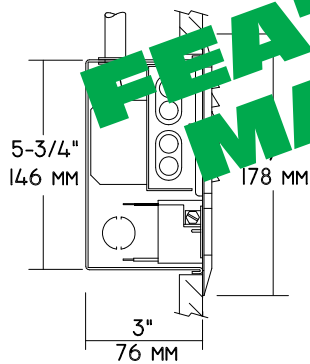
Single Face



Two Way

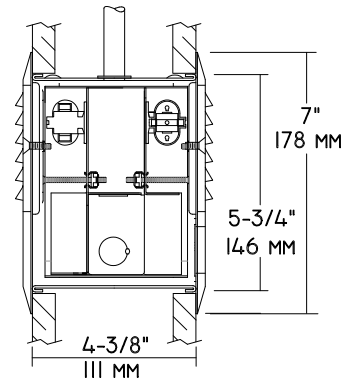
Performance at a Glance

RN90983



Standard and Optional Appearances

RN90984



THE KIRLIN COMPANY

3401 EAST JEFFERSON AVENUE • DETROIT, MICHIGAN 48207-4232
 (313) 259-6400 • Fax: (313) 259-9409 OR (313) 259-3121 • www.kirlinlighting.com

CENTURY SERIES
 ARCHITECTURAL
 COMPACT FLUORESCENT LIGHTING

MAXIMUM WATTAGE
 2 Twin 7
 2 Twin 7

CATALOG NUMBERS
 RN90983
 RN90984

THE KIRLIN COMPANY RESERVES THE RIGHT TO CHANGE, WITHOUT NOTICE, DETAILS OR SPECIFICATIONS IN PRODUCT DESIGN.

LIMITED WARRANTY: CATALOGUED KIRLIN FIXTURES ARE WARRANTED FREE OF DEFECTS IN WORKMANSHIP OR MATERIAL FOR THREE YEARS FROM DATE OF PURCHASE. INSTALLATION, E.C., IN NORMAL USE. Manufacturer at his option will replace or repair such fixture or refund the purchase price on presentation of proof of purchase and defective fixture at the offices of manufacturer within the years of original shipment. Liability of manufacturer is limited to the foregoing, and manufacturer shall not be liable for any other damages, direct or indirect, sustained or suffered by purchaser or any person. This warranty is supplied for the buyer's place of all other warranties, expressed or implied. Seller does not warrant as to merchantability or fitness for a particular use, nor will any oral statement constitute a warranty or amend this specific warranty. Abnormal use, abuse of the fixture, improper installation, or repair, or modification of the fixture without prior written authorization from the manufacturer will void the warranty void.

Options

- 26 Tamper-proof flush mounted louver/door screws. Also see Option -27.
- 35 Silver enameled door and frame finish.
- 36 Gold enameled door and frame finish.
- 37 Dark Bronze enameled door and frame finish.
- 38 Black enameled door and frame finish.
- 58 277 volt 60 Hz. ballast instead.
- 94 Custom color door and frame. Consult factory.
- 97 Other voltage ballast. Consult factory.
- 99 Special modification. Consult factory.

RN90983 Only

- 13 .225" clear UV-stabilized polycarbonate behind louvers. Prevents access.
- 17 .187" high strength acrylic prismatic lens instead of louvers.
- 34 With hospital grade push button on-off switch. Controls both lamps. Indoor use only.
- GF With duplex hospital grade GFCI installed. White. Indoor use only. Consult factory for red version.
- HD With duplex hospital grade receptacle installed. Indoor use only. Consult factory for red version.

RN90984 Only

- L1 .187" high strength acrylic prismatic lens instead on one side. Louvers on other side.
- L2 .187" high strength acrylic prismatic lens instead on both sides.
- G1 With duplex hospital grade GFCI installed on one side. Indoor use only. Consult factory for red version.
- G2 With duplex hospital grade GFCI installed on both sides. Indoor use only. Consult factory for red version.
- H1 With duplex hospital grade receptacle on one side. Indoor use only. Consult factory for red version.
- H2 With duplex hospital grade receptacle on both sides. Indoor use only. Consult factory for red version.
- S1 With hospital grade push button on-off switch installed on one side. Controls both lamps. Indoor use only. Consult factory for red version.

RN90983 HAS BEEN REPLACED BY RN90984 HAS BEEN REPLACED BY FEATURER DESIGN OR OPTIONS MAY HAVE CHANGED

SUBMITTAL DATA

APPROVAL STAMP

JOB NAME _____

TYPE _____

WATTAGE _____ VOLTAGE _____

CATALOG NUMBER _____
