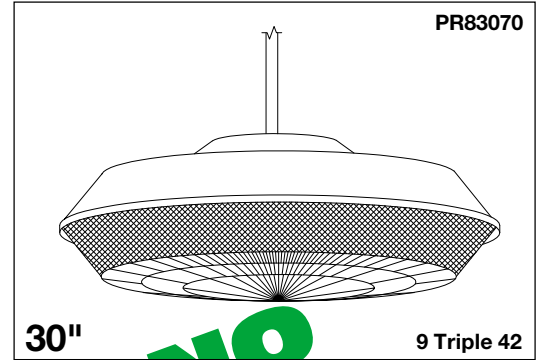


Streamlined Design Pendant Mount for 9 Triple 42 Watt



Features

Lamp

- Designed for: 9 horizontal Triple Tube Amalgam 42 watt.
- **Lamp socket suitable for 42, 32, 26 (electronic) wattages.**
- 4 pin GX24q-4 base. Consult factory for compatibility with G.E. 42 watt lamps.
- 90% lumen output maintained at ballast minimum operating temperature.
- Flicker-free starting, high light output, excellent color rendering (82 CRI).
- Long 10,000 hour life.
- High efficiency with low operating costs.

Ballast

- **Suitable for all wattages from 26 through 42 electronic (non-dimming).**
- Regulating electronic high power factor, thermally protected, encased, 3-3 lamp ballasts standard or see Option -84.
- Single circuit wiring or add Option -84 for 3 lamp ballasted multi-level switching.
- Minimum starting temperature 0°F (-18°C)
- 120 volt standard or see optional voltages.

- Standard with built-in end of lamp life (EOL) protection circuit.
- Built-in RIF filter.

Fuse

- Available as Option -FS (single) or with Option -84, -F3 (triple).

Reflector

- Full size reflector with white polyester enamel finish. Minimum 92% reflectivity.

Lens

- Injection molded acrylic droplens designed for optimal diffusion.
- UV stabilized.
- Lens retained by single center finial can be removed without use of tools.
- Safety cable retains lens to housing when servicing.

Housing

- Seamless shallow white acrylic enameled aluminum.
- Cool: Dissipates heat across entire surface area.
- Rustproof: Exceeds 1000 hour ASTM 5% salt spray test.

30"

9 Triple 42

Multi-Purpose, Gyms, Auditoriums

Lumen Output Equivalent to 320 Watt Metal Halide

Wide Spread (1.3 S/MH) Distribution

Instant-On and Multiple-Level Switching

Installation

- Pendant mount. 1/2" T.S. x 18" standard.
- For custom length or swivel canopy for sloped ceilings, see Options -87 and -88.

UL, C-UL (Canada) Listings

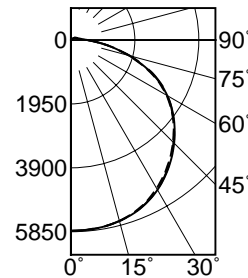
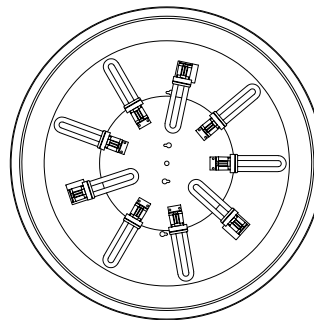
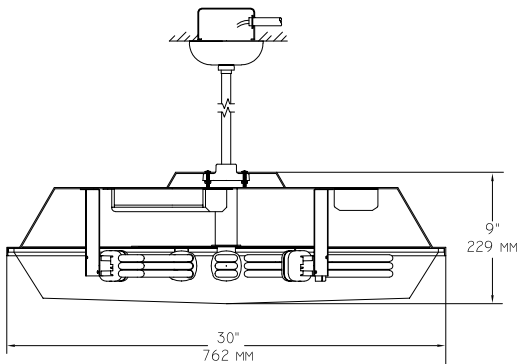
- Wet, damp or dry locations, covered ceilings.

Three Year Limited Warranty

- Complete standard fixture.

Performance at a Glance

PR83070



PR83070

- 0° S/MH 1.3
- 90° S/MH 1.3
- 180° S/MH 1.3

Cone of Light*

Ft.	FC	Dia.
6	161.7	8.1
8	90.9	10.7
10	58.2	13.4
12	40.4	16.1
14	29.7	18.8
16	22.7	21.5

PR83070

Cone of Light Key

- Ft.** Distance from fixture
- FC** Footcandles (average)
- Dia.** Circle of light at 50% of FC

* Dia. (in ft.) shown is where FC value is half the FC at nadir.

THE KIRLIN COMPANY

3401 EAST JEFFERSON AVENUE • DETROIT, MICHIGAN 48207-4232
(313) 259-6400 • Fax: (313) 259-9409 OR (313) 259-3121 • www.light-link.com/kirlin

SECOND CENTURY SERIES
TRIPLE TUBE
COMPACT FLUORESCENT LIGHTING

MAXIMUM WATTAGE

CATALOG NUMBER

9 Triple 42

PR83070

DUE TO OUR CONTINUING EFFORT TO IMPROVE PRODUCTS, TECHNICAL INFORMATION IS SUBJECT TO CHANGE WITHOUT NOTICE.

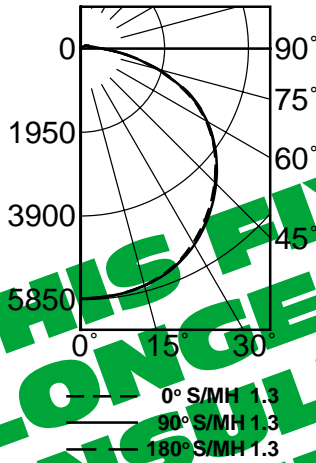
PR83070 PENDANT ROUND: TRIPLE TUBE 42 WATT (MAXIMUM) COMPACT FLUORESCENT

Detailed Photometry - Installed Fixture

FROM I.T.L. (BOULDER, CO) TEST NUMBER 50249

PR83070

*LER = 50.7
*AEC = \$4.73



EFFICIENCY = 73.7%

CANDLEPOWER DISTRIBUTION

	0.0	45.0	90.0	135.0	180.0
0	5820	5820	5820	5820	5820
10	5783	5786	5781	5777	5776
30	5227	5251	5280	5299	5268
50	4092	4058	4125	4188	4092
70	2383	2387	2410	2436	2438
90	506	492	505	510	495
100	246	243	246	250	251
110	181	179	180	181	185
120	124	130	127	127	137
130	15	31	26	19	35
150	0	0	0	0	0

COEFFICIENT OF UTILIZATION

REFLECTANCE	0°	30°	60°	90°	120°	150°	180°
100	78	74	71	67	69	66	63
90	71	64	58	54	59	55	51
80	64	55	49	44	51	46	42
70	58	49	42	37	45	40	35
60	53	43	36	31	40	35	30
50	49	39	32	27	36	31	26
40	45	35	28	24	33	27	23
30	42	32	25	21	30	24	20
20	39	29	23	19	28	22	18
10	37	27	21	17	25	20	17

* LER = Luminaire Efficacy Rating
LER = Luminaire Effic. x Total Lamp Lumens x Ballast Factor
Input Watts

* AEC = Annual Energy Cost per 1000 lumens
(based on 3000 hours use @ \$0.08 KWH).

THIS FIXTURE IS NO LONGER AVAILABLE FOR REPLACEMENT

Options

- 35 Silver enameled luminaire finish instead.
- 36 Gold enameled luminaire finish instead.
- 37 Dark Bronze enameled luminaire finish instead.
- 38 Black enameled luminaire finish instead.
- 42 Drop polycarbonate (UV stabilized) lens. Consult factory.
- 46 Gasket between lens and housing.
- 58 277 volt 60 Hz. ballast instead.
- 73 Internal battery pack. Consult factory.
- 75 Remote emergency "Ni-Cad" battery pack. Provided with 2' lengths of flexible conduit at
- each end. Consult factory for maximum mounting distance. Includes test/monitor plate. Indoor use.
- 84 Fixture wired for 3 (3, 6, 9 lamp) level switching. Specify and consult factory.
- 87 Custom pendant length. Specify up to 4 feet or consult factory.
- 88 Swivel canopy for sloped ceilings. Consult factory for degrees of slope availability. Earthquake rated.
- 94 Custom color housing and pendant. Consult factory.
- 97 Other voltage ballast. Consult factory.
- 98 347 volt 60 Hz. ballast instead. Consult factory.
- 99 Special modification. Consult factory.
- F3 Triple Fused primary. Replaceable. For use with Option -84.
- FS Fused. Replaceable. Aids servicing.
- LE With 4-pin electronic Triple Tube amalgam lamps. 82 CRI and 10,000 hour life. 3500°K or consult factory for 2700°K, 3000°K or 4100°K. Specify wattage and color temperature.
- SM Surface mount instead. Includes collar.

SUBMITTAL DATA

APPROVAL STAMP

JOB NAME _____

TYPE _____

WATTAGE _____ VOLTAGE _____

CATALOG NUMBER _____

LIMITED WARRANTY: CATALOGED KIRLIN FIXTURES ARE WARRANTED FREE OF DEFECTS IN WORKMANSHIP OR MATERIAL FOR THREE YEARS FROM DATE OF PURCHASE. INSTALLATION MUST BE BY A QUALIFIED ELECTRICIAN. THE PURCHASER'S REPRESENTATION OF THE FIXTURE'S USE AND THE MANUFACTURER'S LIABILITY IS LIMITED TO THE ORIGINAL STATEMENT. LABELING OF MANUFACTURER IS LIMITED TO THE ORIGINAL STATEMENT. THIS WARRANTY IS SUPPLIED FROM THE MANUFACTURER AND WILL RENEW THE WARRANTY VOID.