

Streamlined Design Pendant Mount for 6 Triple 42 Watt

Features

Lamp

- Designed for:
 - 6 horizontal Triple Tube Amalgam 42 watt.
- **Lamp socket suitable for 42, 32, 26 (electronic) wattages.**
- 4 pin GX24q-4 base. Consult factory for compatibility with G.E. 42 watt lamps.
- 90% lumen output maintained at ballast minimum operating temperature.
- Flicker-free starting, high light output, excellent color rendering (82 CRI).
- Long 10,000 hour life.
- High efficiency with low operating costs.

Ballast

- **Suitable for all wattages from 26 through 42 electronic (non-dimming).**
- Regulating electronic high power factor, thermally protected, encased. 2-3 lamp ballasts standard or see Option -84.
- Single circuit wiring or add Option -84 for 2 or 3 lamp ballasted multi-level switching.
- See Option -39 for dimming availability.
- Minimum starting temperature 0°F (-18°C). See Option -CW for cold weather.
- 120 volt standard or see optional voltages for use with specific options.
- Standard with built-in end of lamp life (EOL) protection circuit.
- Built-in RIF filter.

Fuse

- Available as Option -FS (single) or with Option -84, -FD (double).

Reflector

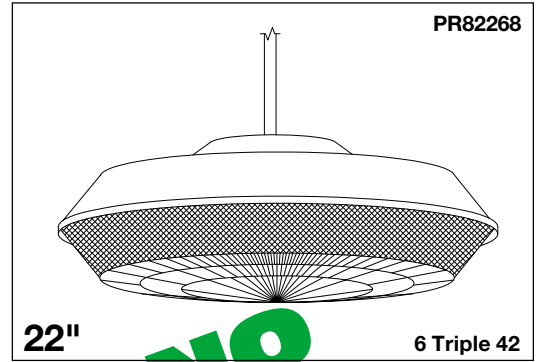
- Full size reflector with white polyester enamel finish. Minimum 85% reflectivity.

Lens

- Injection molded acrylic droplens designed for optimal diffusion.
- UV stabilized.
- Lens retained by single center finial; can be removed without use of tools.
- Polycarbonate lens available for areas where breakage is a concern. See Option -42.

Housing

- Seamless shallow white acrylic enameled aluminum.
- Cool: Dissipates heat across entire surface area.
- Rustproof: Exceeds 1000 hour ASTM 5% salt spray test.



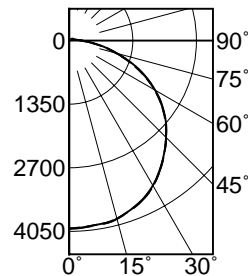
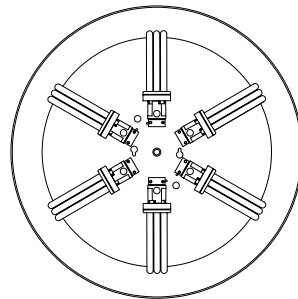
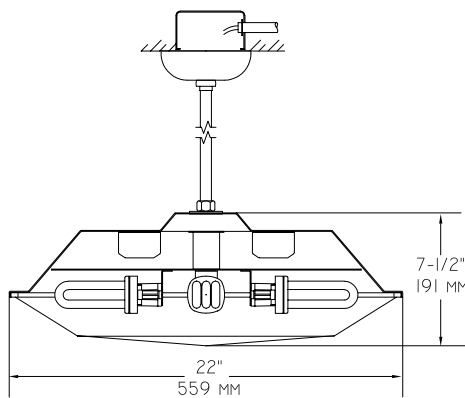
Multi-Purpose, Gyms, Auditoriums
Lumen Output Equivalent to 250 Watt Metal Halide
Wide Spread (1.3 S/MH) Distribution
Instant-On and Multiple-Level Switching

Installation

- Pendant mount. 3/8" T.S. x 18" standard.
 - For custom length or swivel canopy for sloped ceilings, see Options -87 and -88.
 - For chain mount instead see Option -CM.
- UL, C-UL (Canada) Listings**
- Wet, damp or dry locations, covered ceilings.
- Three Year Limited Warranty**
- Complete standard fixture.

Performance at a Glance

PR82268



--- 0° S/MH 1.3
 - - - 45° S/MH 1.3
 ——— 90° S/MH 1.3

Cone of Light*

Ft.	FC	Dia.
6	110.8	7.9
8	62.3	10.5
10	39.9	13.2
12	27.7	15.8
14	20.4	18.5
16	15.6	21.1

Cone of Light Key

Ft. Distance from fixture
FC Footcandles (average)
Dia. Circle of light at 50% of FC

* Dia. (in ft.) shown is where FC value is half the FC at nadir.

THE KIRLIN COMPANY

3401 EAST JEFFERSON AVENUE • DETROIT, MICHIGAN 48207-4232
 (313) 259-6400 • Fax: (313) 259-9409 OR (313) 259-3121 • www.light-link.com/kirlin

SECOND CENTURY SERIES
TRIPLE TUBE
COMPACT FLUORESCENT LIGHTING

MAXIMUM WATTAGE

CATALOG NUMBER

6 Triple 42

PR82268

DUE TO OUR CONTINUING EFFORT TO IMPROVE PRODUCTS, TECHNICAL INFORMATION IS SUBJECT TO CHANGE WITHOUT NOTICE.

