

Decorative Pendant Mini-PAR Tungsten Halogen Downlight with Uplight Effect

Features

Lamp / Socket

- Designed for: 75 watt (max.) PAR 16 tungsten halogen lamp (by others). Also will accommodate 50 watt (max.) PAR 20 lamps.
- Rated 2000 hour life; 100 CRI.
- Dimmable (controls by others).
- Glazed porcelain medium base socket.

Luminaire

- Four perpendicular .125" aluminum blades radially surround pendant.
- Two parallel 3" diameter .125" aluminum discs decoratively retain blades at 90°.
- Blades are seated into .080" seamless spun aluminum trim ring.

- White acrylic enameled finish standard. See Options for other colors.
- Laser cut and welded aluminum construction.
- Rustproof: Exceeds 1000 hour ASTM 5% salt spray test.

Installation

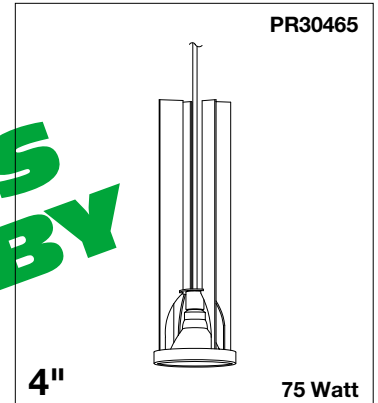
- Pendant mount, 1/8" T.S. x 18".
- For custom length or swivel canopy mount for sloped ceilings, see Options -87 and -88.

UL, C-UL (Canada) Listings

- Damp or dry locations, covered ceilings.
- Approved for 60°C supply wire to outlet box above.

Three Year Limited Warranty

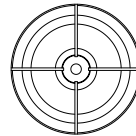
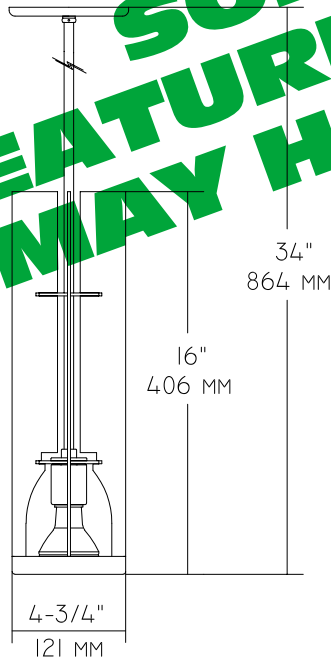
- Complete standard fixture.



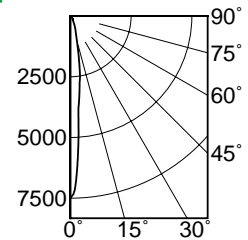
Designed for 75 PAR 16 or 50 PAR 20
10° Narrow Spot
30° Flood

Performance at a Glance

PR30465

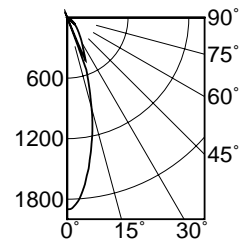


PR30465 (75W 10° Spot)



S/MH .13

PR30465 (75W 30° Flood)



S/MH .25

THE KIRLIN COMPANY

3401 EAST JEFFERSON AVENUE • DETROIT, MICHIGAN 48207-4232
(313) 259-6400 • Fax: (313) 259-9409 OR (313) 259-3121

NEW MILLENNIUM

TUNGSTEN HALOGEN and
INCANDESCENT LIGHTING

LAMP

MAXIMUM WATTAGE

CATALOG NUMBER

PAR 16/20

75/50

PR30465

THE KIRLIN COMPANY RESERVES THE RIGHT TO CHANGE, WITHOUT NOTICE, DETAILS OR SPECIFICATIONS IN PRODUCT DESIGN.

Detailed Photometry - Installed Fixture

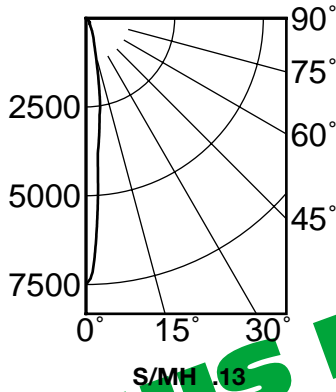
FROM G.E. LAMP DATA

SPOT: OSRAM SYLVANIA Catalog No. 59036

FLOOD: OSRAM SYLVANIA Catalog No. 59034

LIMITED WARRANTY: CATALOGUED KIRLIN FIXTURES ARE WARRANTED FREE OF DEFECTS IN WORKMANSHIP OR MATERIAL FOR THREE YEARS FROM DATE OF PURCHASE. INSTALLATION, IN NORMAL USE. Manufacturer at the option will replace or repair such fixture or refund the purchase price on presentation of proof of purchase and defective fixture at the office of manufacturer within three years of original shipment. Liability of manufacturer is limited to the foregoing, and manufacturer shall not be liable for any other damages, direct or indirect, sustained or suffered by purchaser or any person. This warranty is supplied from the manufacturer. Will cover the warranty only.

PR30465 75W 10° SPOT

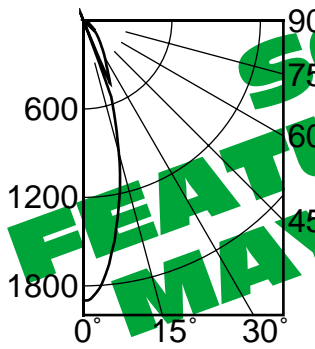


S/MH .13
EFFICIENCY = 100.0%

CANDLEPOWER DISTRIBUTION

	0.0	22.5	45.0	67.5	90.0
0	7500	7500	7500	7500	7500
5	3825	3825	3825	3825	3825
15	1046	1046	1046	1046	1046
25	407	407	407	407	407
35	176	176	176	176	176
45	111	111	111	111	111
55	25	25	25	25	25
65	8	8	8	8	8
75	0	0	0	0	0
85	0	0	0	0	0
90	0	0	0	0	0

PR30465 75W 30° FLOOD



S/MH .25

EFFICIENCY = 100.0%

CANDLEPOWER DISTRIBUTION

	0.0	22.5	45.0	67.5	90.0
0	1900	1900	1900	1900	1900
5	1728	1728	1728	1728	1728
15	927	927	927	927	927
25	373	373	373	373	373
35	203	203	203	203	203
45	113	113	113	113	113
55	55	55	55	55	55
65	23	23	23	23	23
75	11	11	11	11	11
85	0	0	0	0	0
90	0	0	0	0	0

Options

- 35 Silver enameled luminaire finish instead.
- 36 Gold enameled luminaire finish instead.
- 37 Dark Bronze enameled luminaire finish instead.

- 38 Black enameled luminaire finish instead.
- 87 Custom -PM length. Specify up to 4 feet or consult factory for longer lengths with couplers.
- 88 Swivel canopy for sloped ceilings up to 45°. Earthquake rated. Use with Option -PM.

- 94 Custom color luminaire and pendant. Consult factory.
- 99 Special modification. Consult factory.
- LP With lamp. Specify wattage, beam spread, style (PAR 16, 20) and color temperature.

SUBMITTAL DATA

JOB NAME _____

TYPE _____

WATTAGE _____ VOLTAGE _____

CATALOG NUMBER _____

APPROVAL STAMP